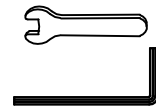
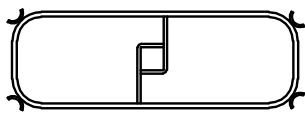


1. Table top 1PC

2. Table leg 4PCS

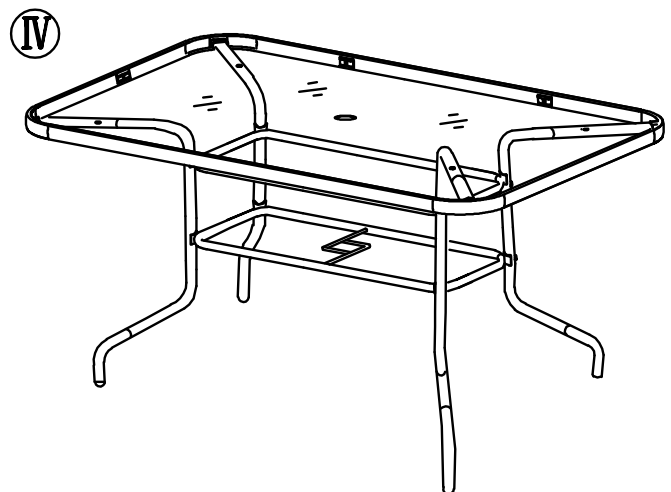
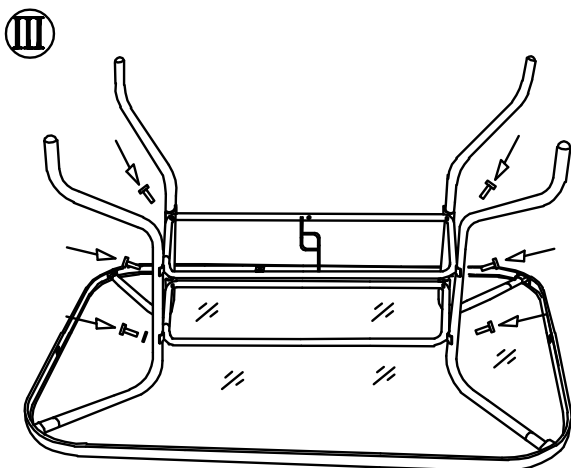
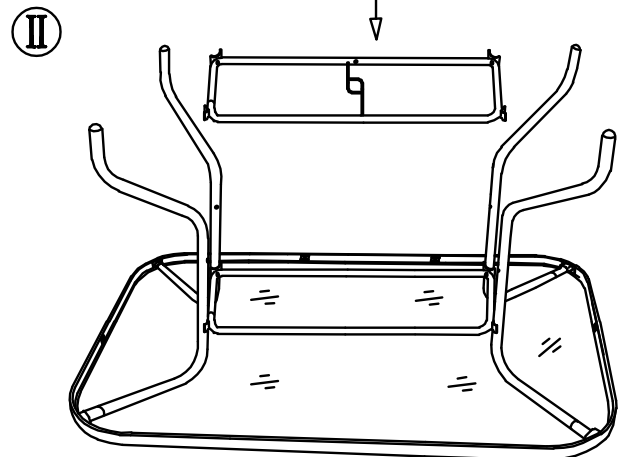
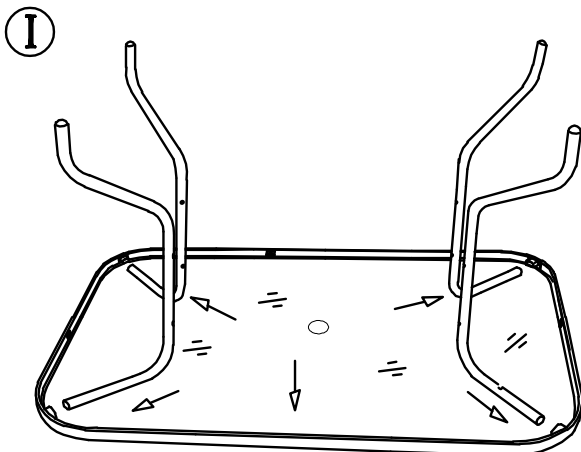


3. Junction frame 1 PC








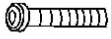
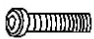
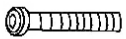



4. Junction frame 1 PC

5. Bolt M6x52 8PCS

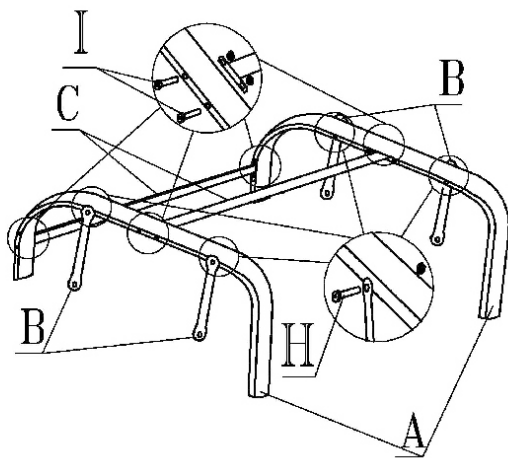
7. Wrench 1PCS



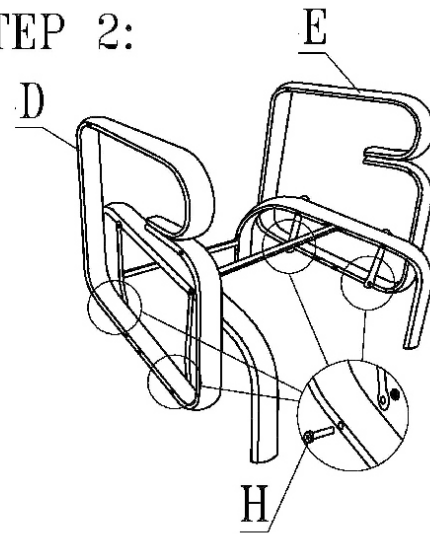
ASSEMBLY INSTRUCTION

| | | | | | | |
|--|--|--|---|--|---|---|
|  |  |  |  |  |  |  |
| A X2 | B X4 | C X2 | D X1 | E X1 | F X2 | G X1 |
|  M6X72 |  M6X65 |  M6X80 |  |  |  | |
| H X8 | I X16 | J X4 | K X28 | L X1 | M X1 | |

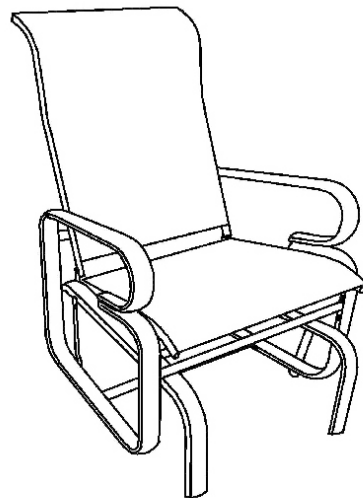
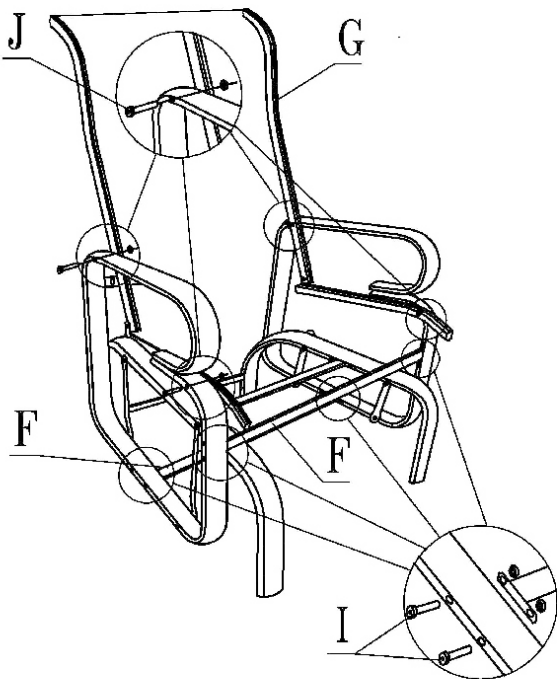
STEP 1:










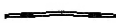

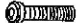

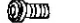
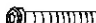

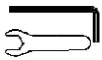
STEP 2:



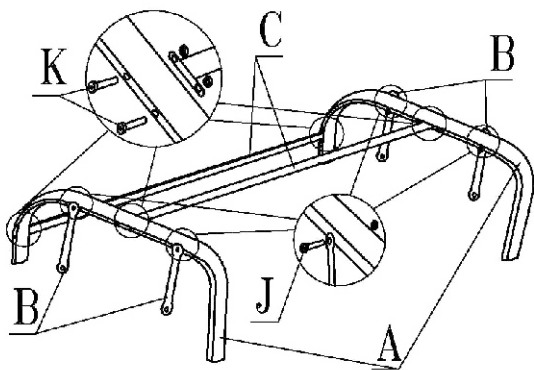
STEP 3:



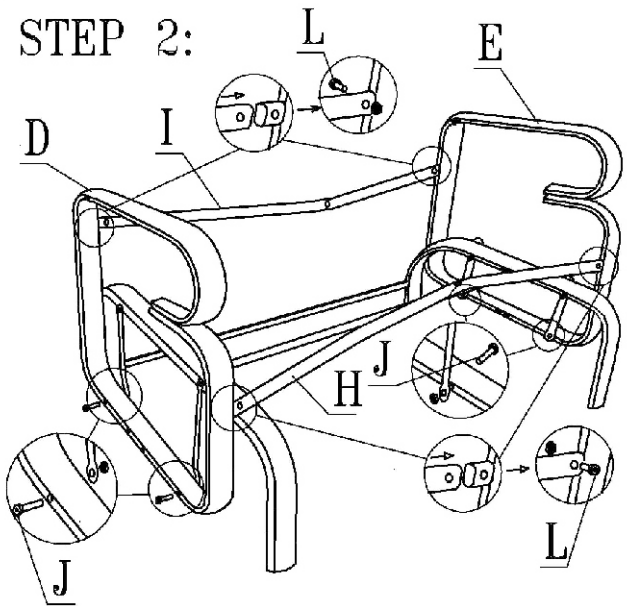
ASSEMBLY INSTRUCTION

| | | | | | | | |
|---|---|--|--|--|--|---|---|
|  |  |  |  |  |  |  | |
| A X2 | B X4 | C X2 | D X1 | E X1 | F X1 | G X1 | |
|  |  |  M6X72 |  M6X65 |  M6X20 |  M6X80 |  |  |
| H X1 | I X1 | J X8 | K X12 | L X6 | M X4 | N X28 | O X1 |

STEP 1:



STEP 2:



STEP 3:

