








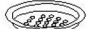











846-010



Please read these instructions and warranty information carefully before use and keep them properly for future reference.

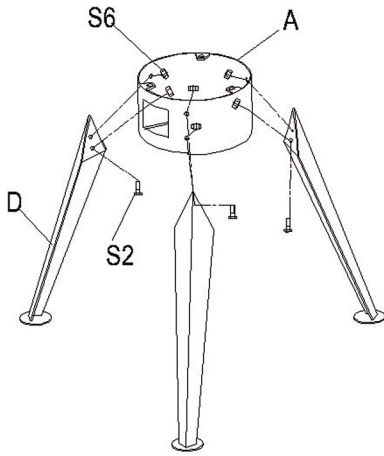
OPERATING INSTRUCTIONS

Part List

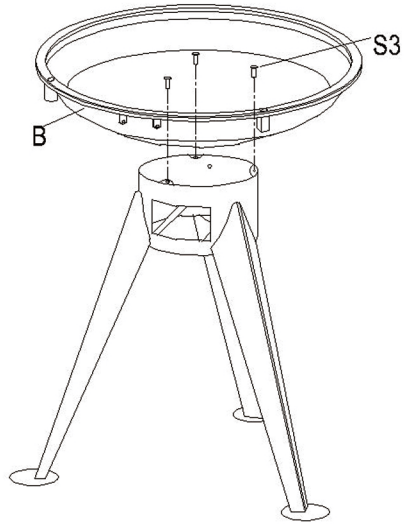
A	1		
B	1		
C	1		C1,C2,C3
D	3		
E	1		
F	1		
G	2		
H	1		
L	1		
J	1		
K	1		
S1	4		
S2	3		
S3	3		
S4	4		
S5	4		
S6	6		

Assembly Instructions

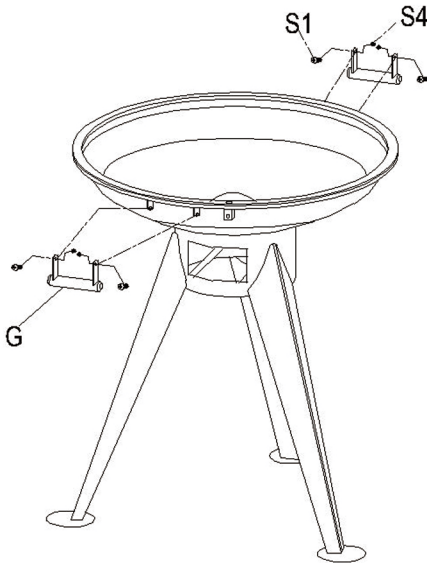
1



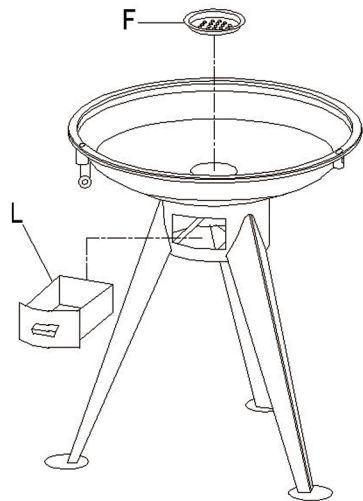
2



3

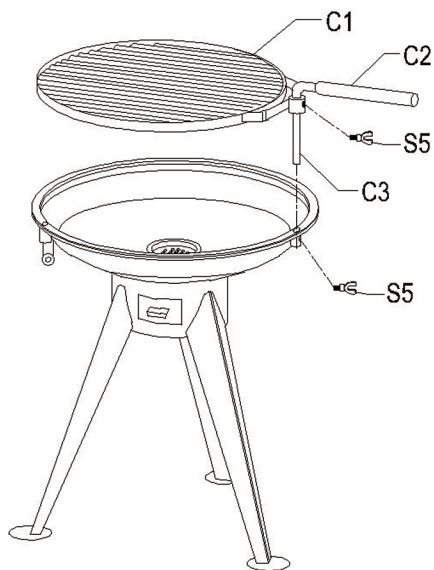


4

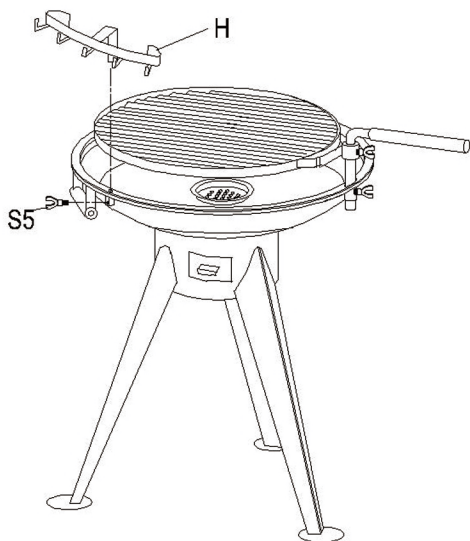


Assembly Instructions

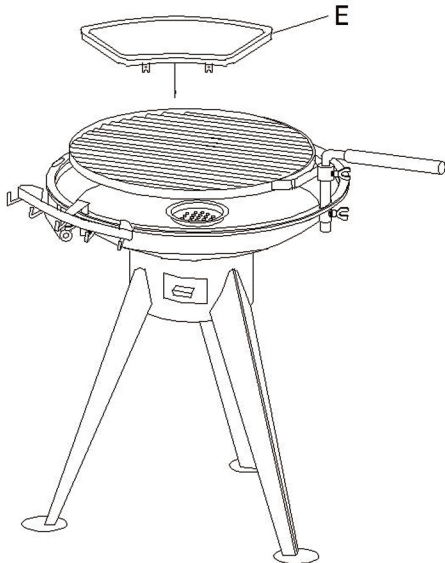
5



6



7



8

