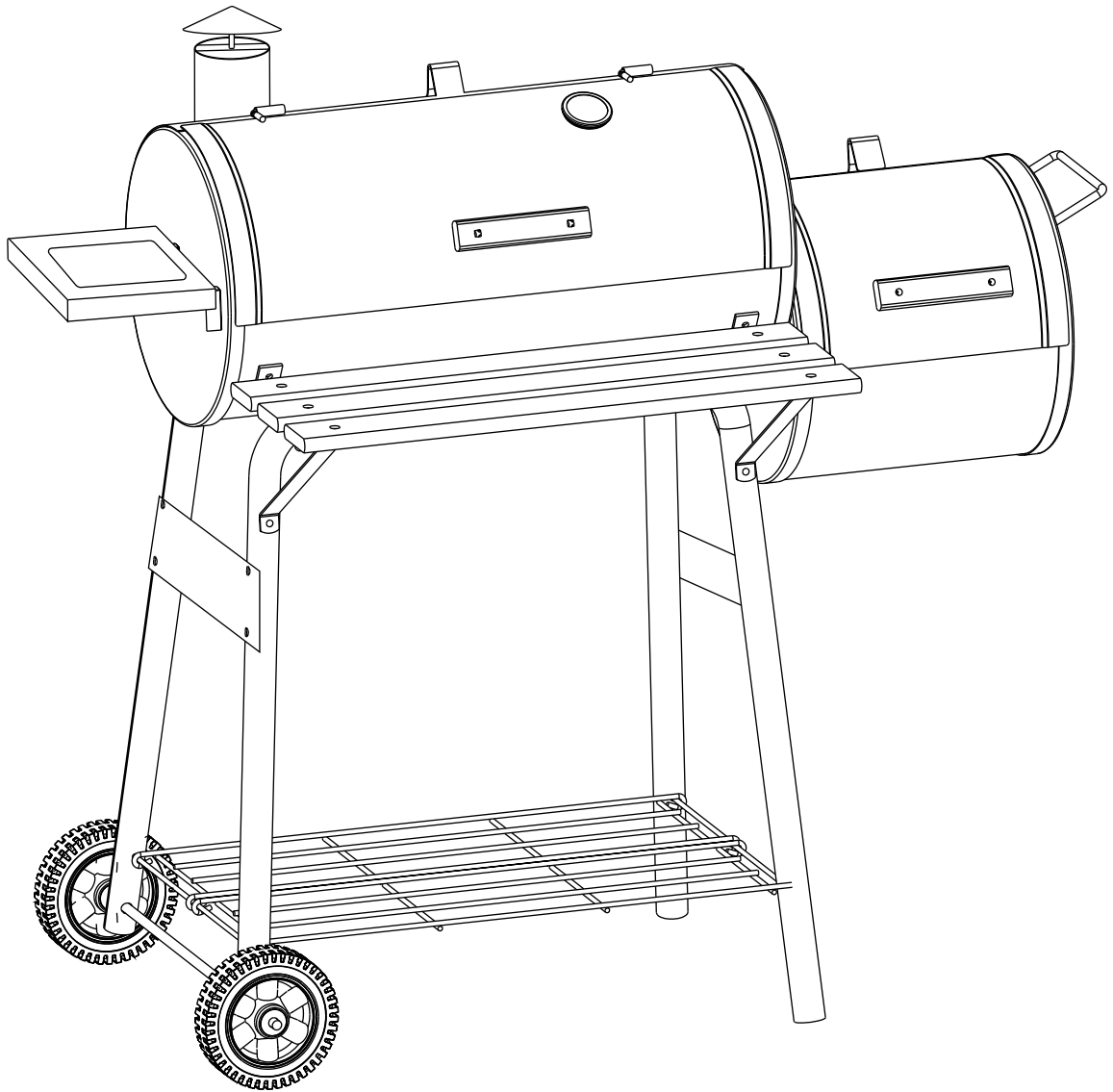



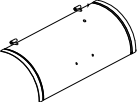
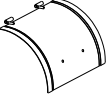
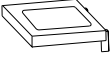



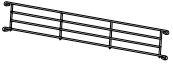

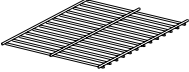
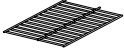




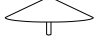
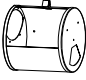






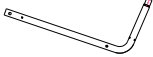

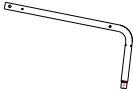


846-036









ASSEMBLY INSTRUCTION

# PARTLIST

NO	Parts	QTY
1		1
2		1
3		1
4		1
5		2
6		2
7		2
8		2
9		2
10		2
11		3
12		2
13		1

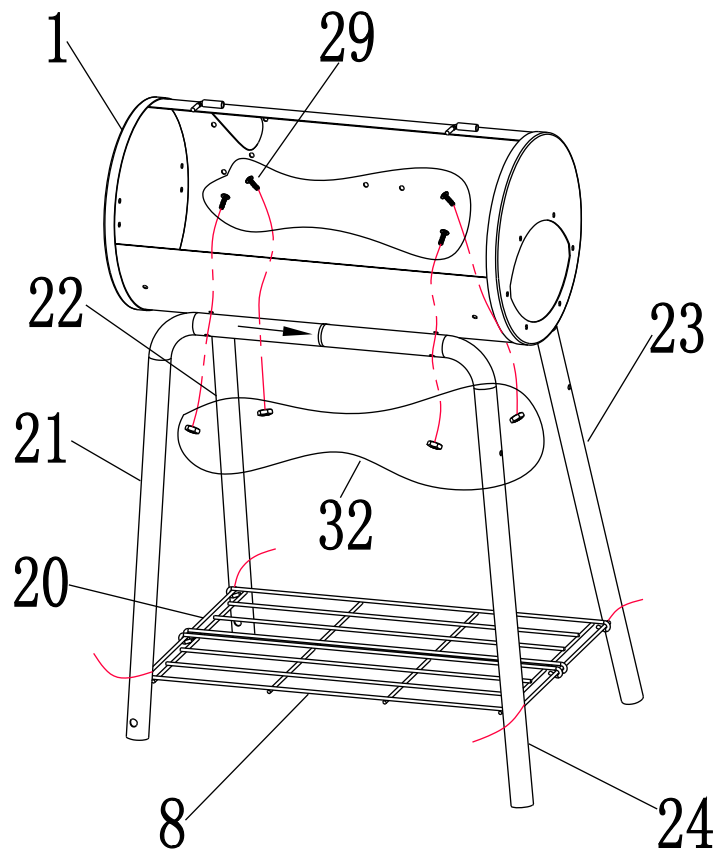
NO	Parts	QTY
14		1
15		1
16		1
17		3
18		1
19		1
20		2
21		1
22		1
23		1
24		1
25		1
26		4

NO	Parts	QTY
27		4
28		2
29	 M6*40	4
30	 M6*20	10
31	 M6*12	25
32	 M6	29

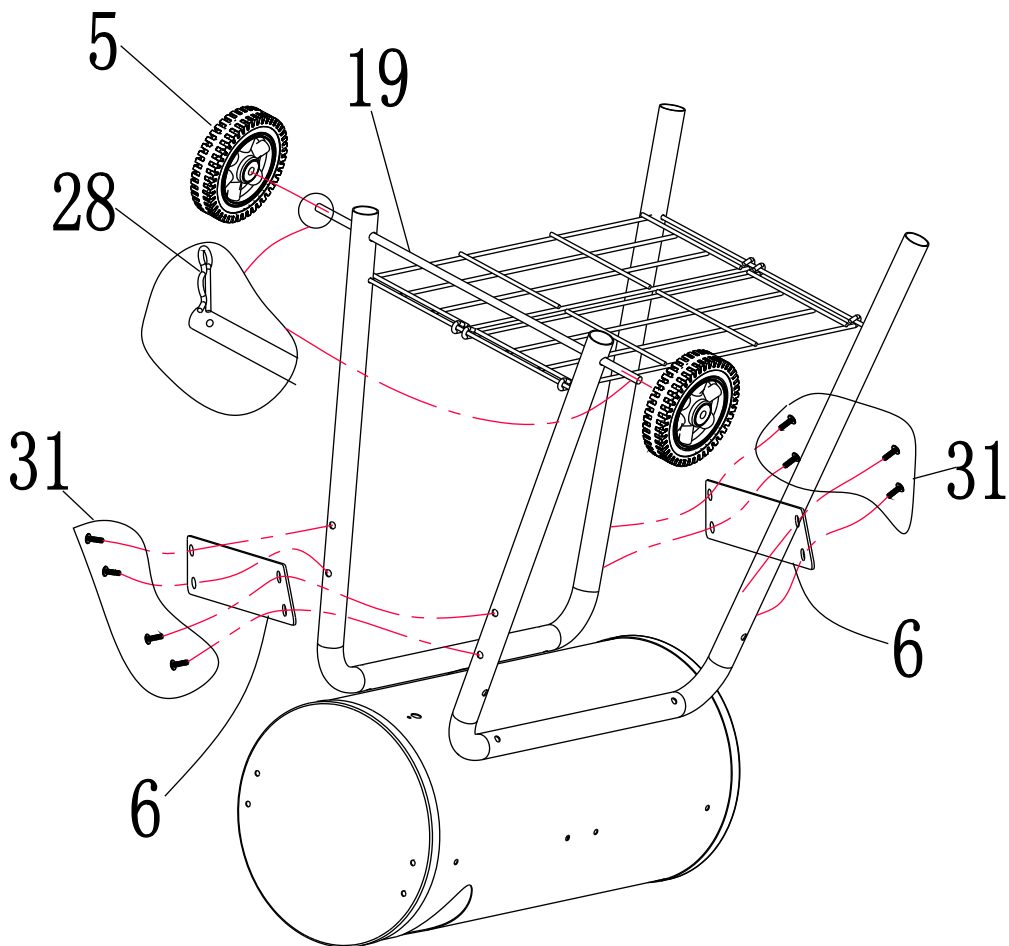
# ASSEMBLY INSTRUCTION

---

1



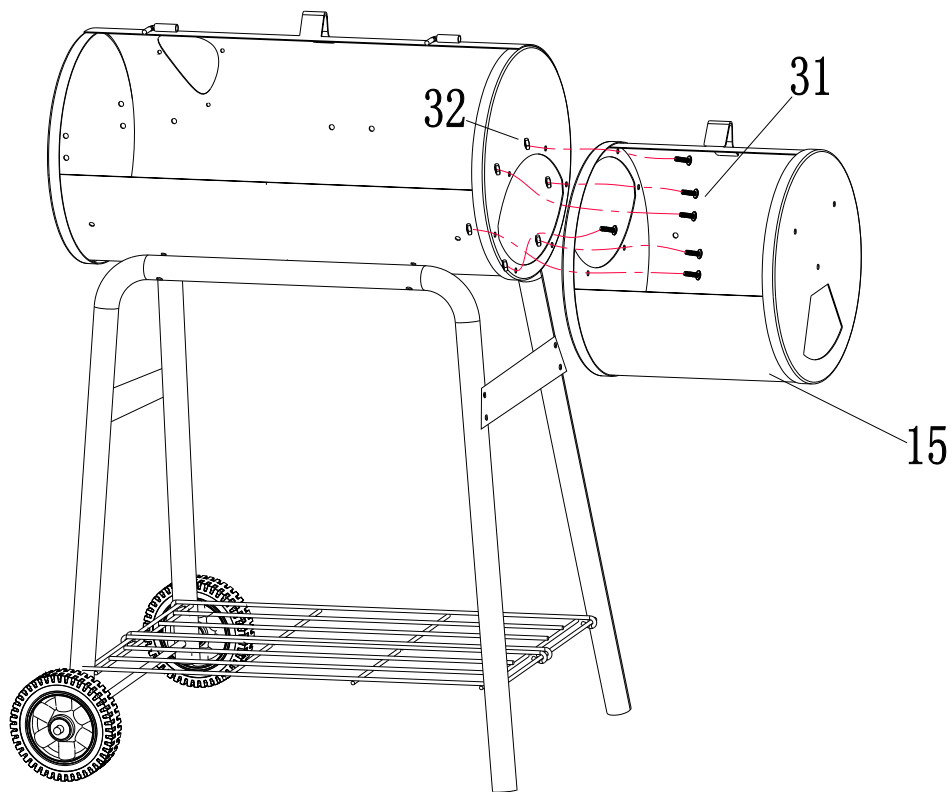
2



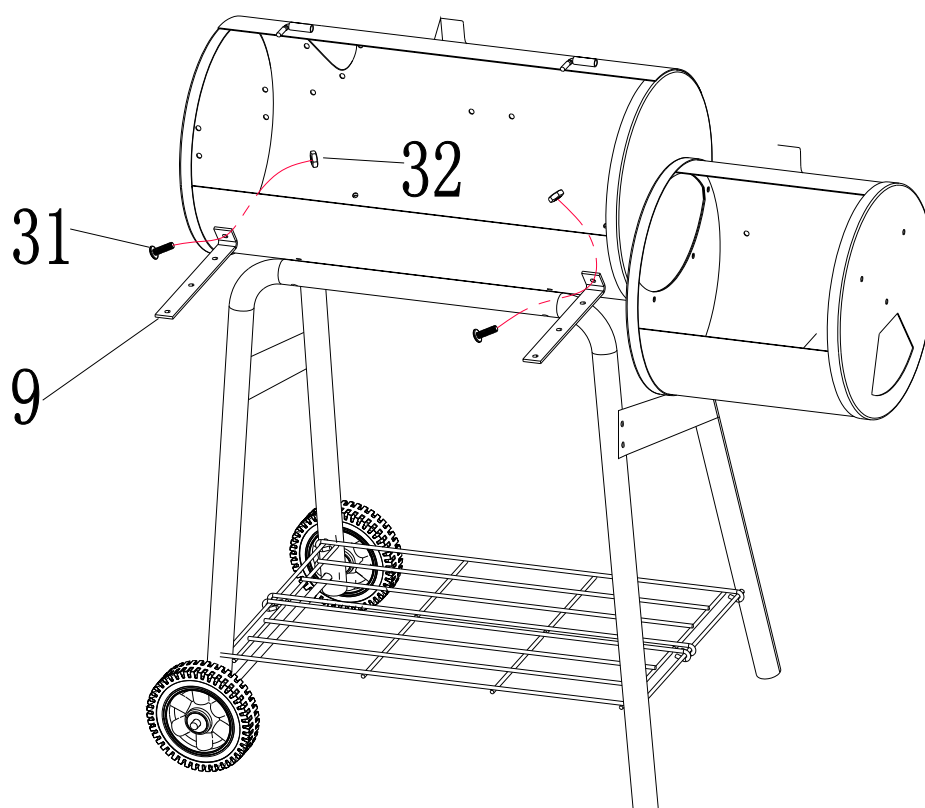
# ASSEMBLY INSTRUCTION

---

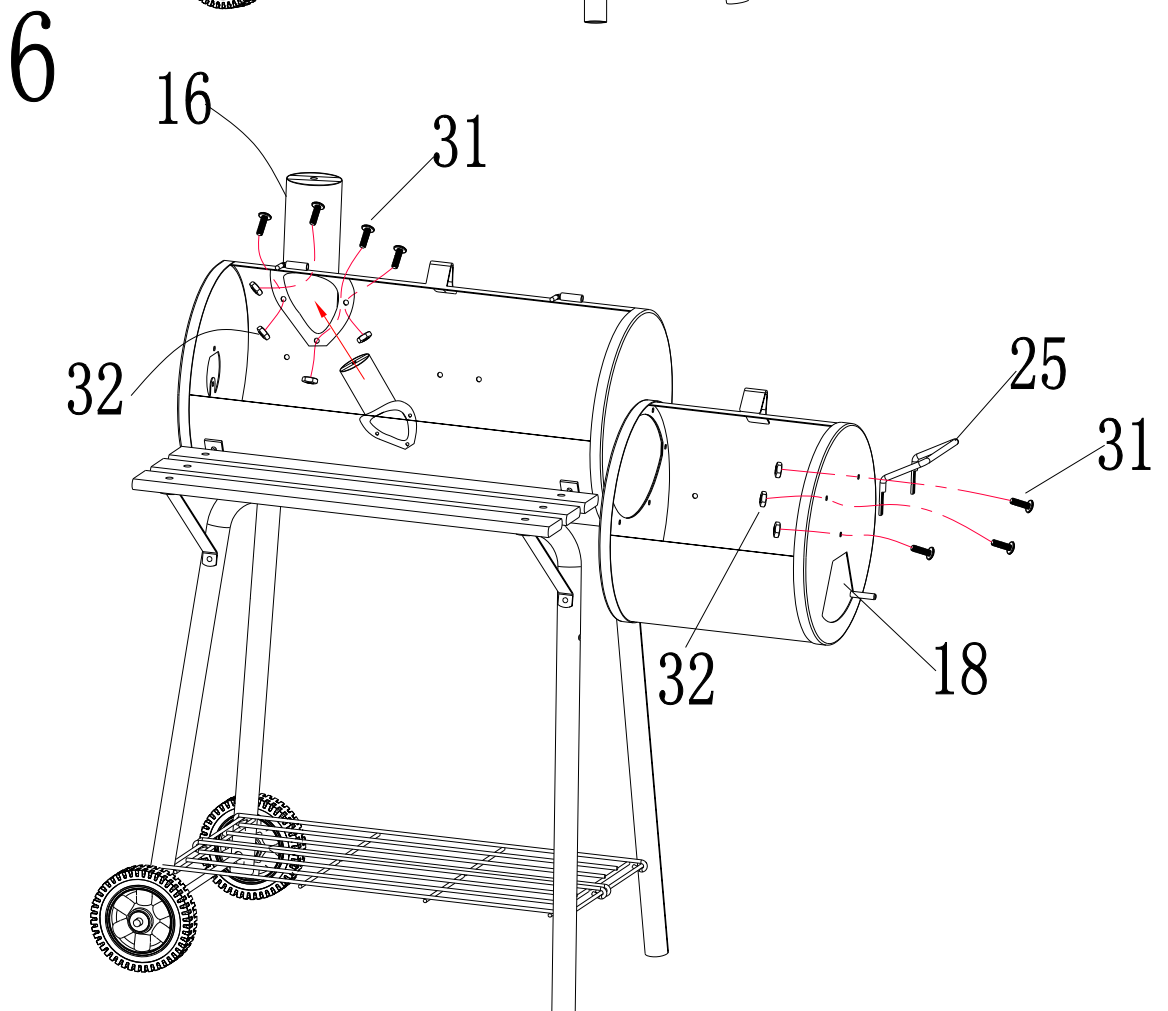
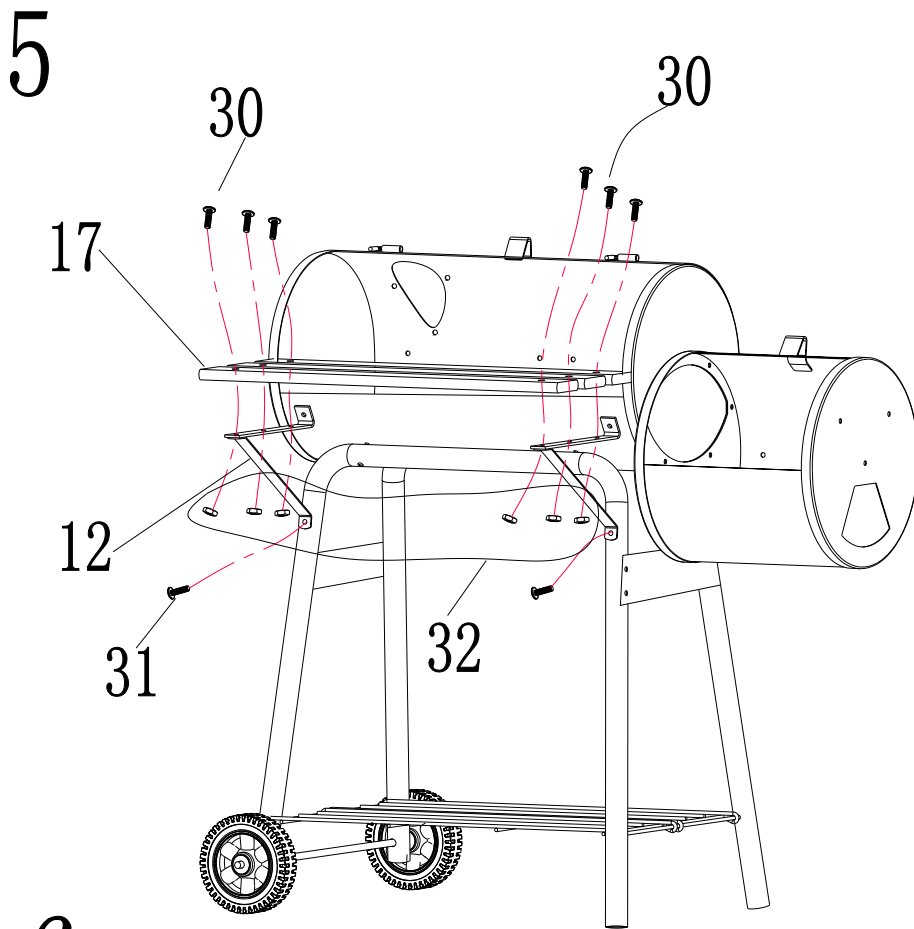
3



4

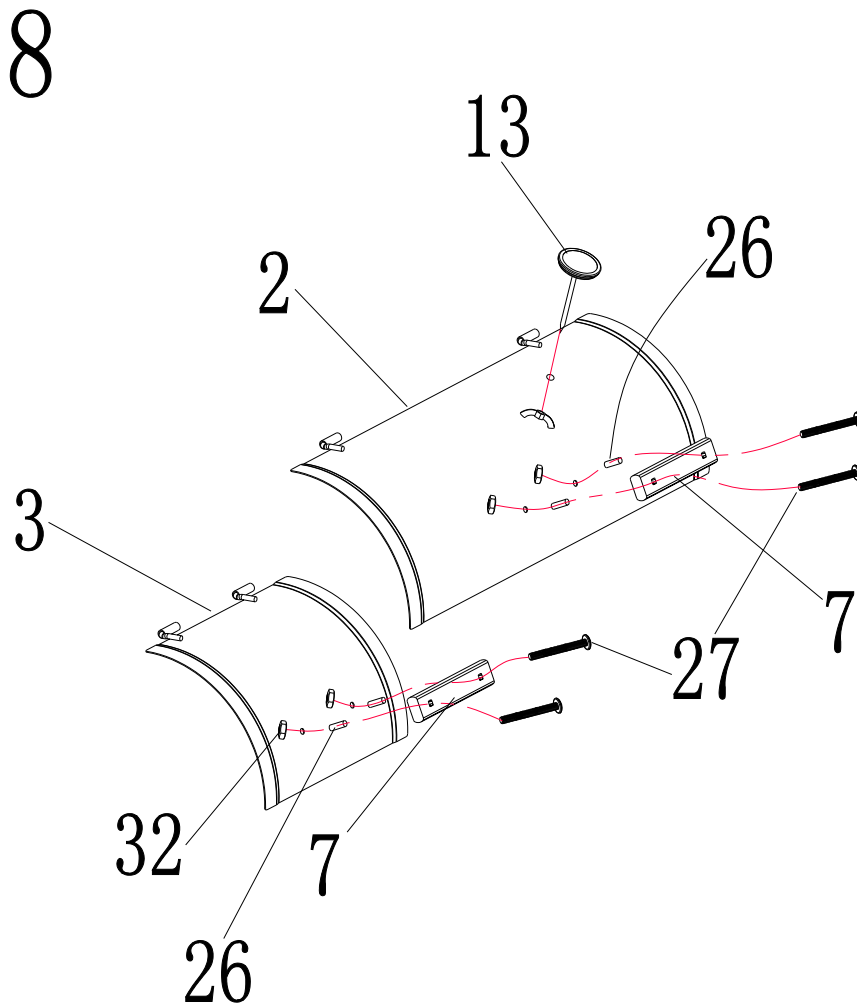
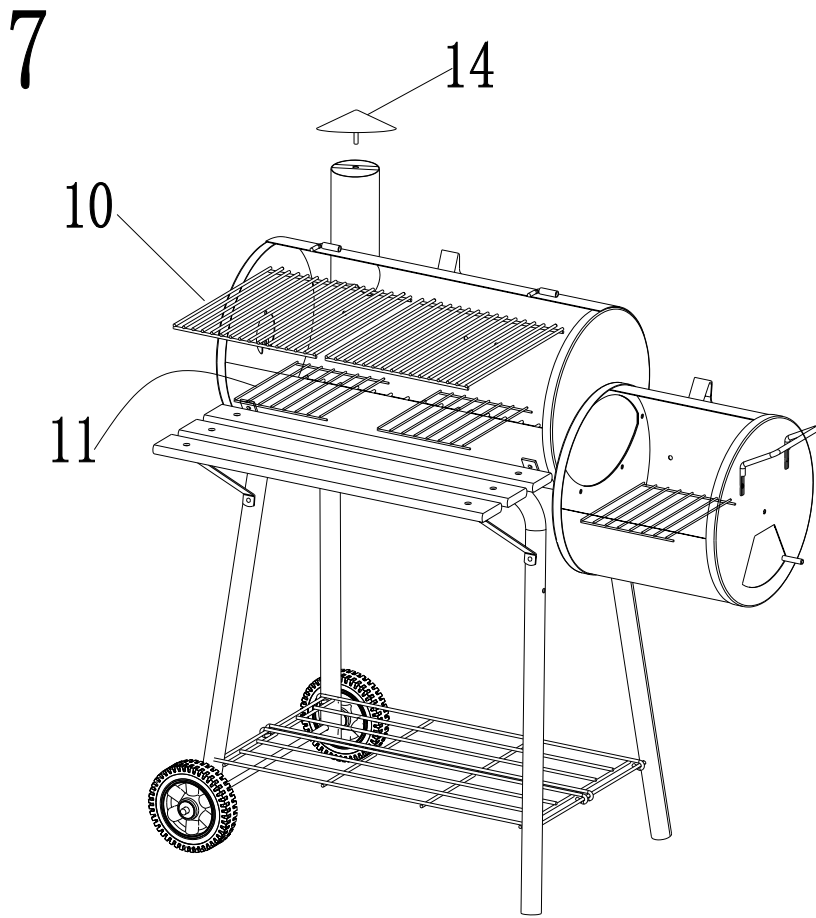


# ASSEMBLY INSTRUCTION



# ASSEMBLY INSTRUCTION

---



# ASSEMBLY INSTRUCTION

---

9

