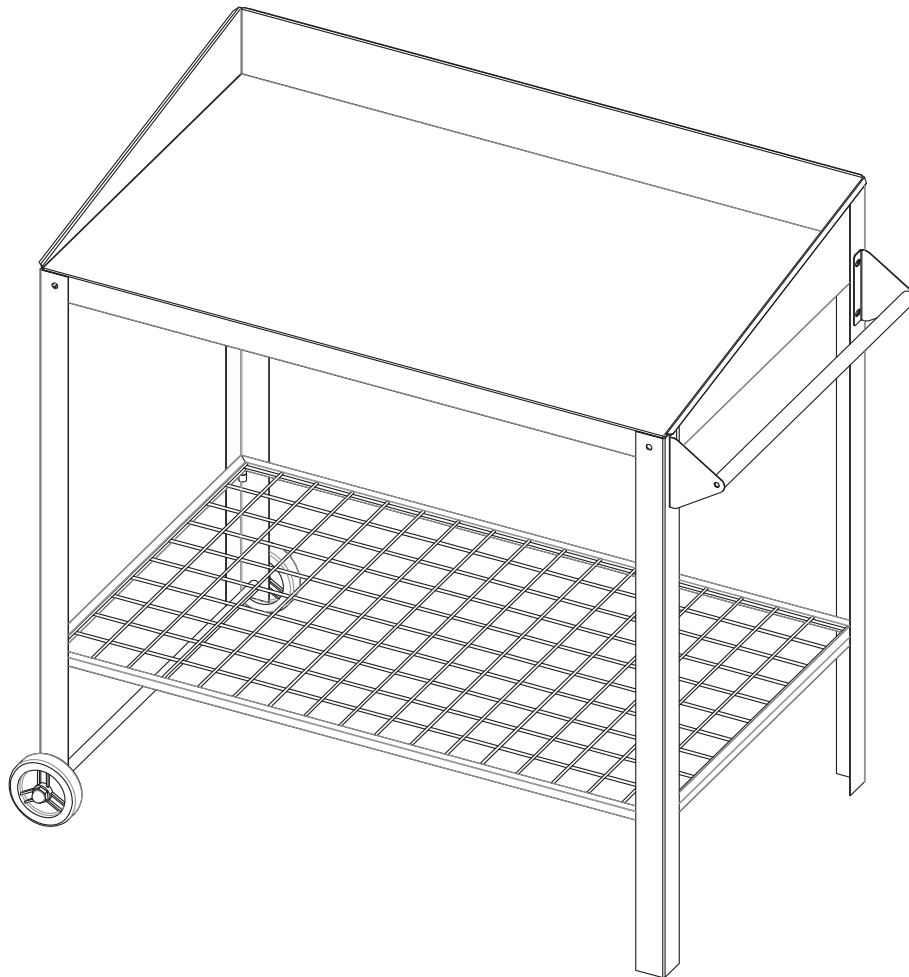




INbma051V01\_GL

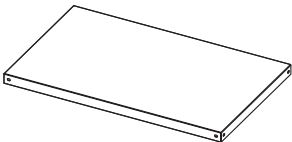
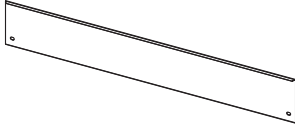
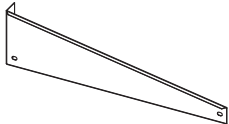
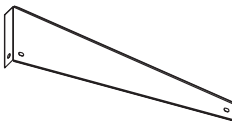
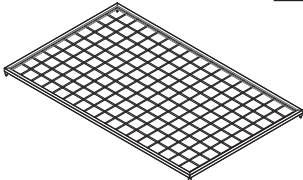



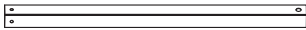
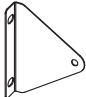
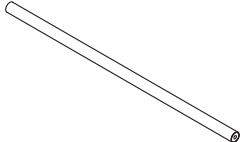
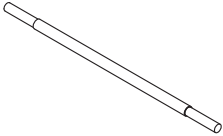


**845-316**







**IMPORTANT, RETAIN FOR FUTURE REFERENCE: READ CAREFULLY**

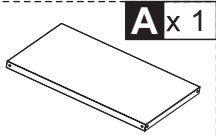
# ASSEMBLY & INSTRUCTION MANUAL

**PARTS**

 <p><b>A x 1</b></p>	 <p><b>B x 1</b></p>	
 <p><b>C x 1</b></p>	 <p><b>D x 1</b></p>	 <p><b>E x 1</b></p>
 <p><b>F x 1</b></p>	 <p><b>G x 1</b></p>	 <p><b>H x 1</b></p>
 <p><b>I x 1</b></p>	 <p><b>J x 2</b></p>	 <p><b>K x 1</b></p>
 <p><b>L x 1</b></p>	 <p><b>M x 2</b></p>	 <p><b>N x 2</b></p>

**HARDWARE**

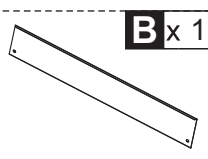
 <p><b>O x 2</b></p>	 <p><b>P x 4</b> +1(spare)</p>
 <p><b>Q x 12</b> +1(spare)</p>	 <p><b>R x 10</b> +1(spare)</p>



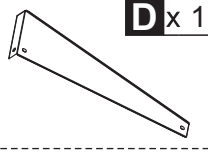
A x 1



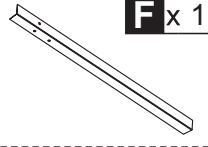
R x 2



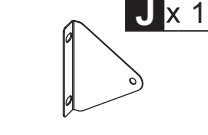
B x 1



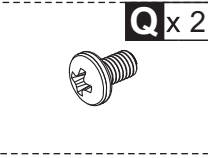
D x 1



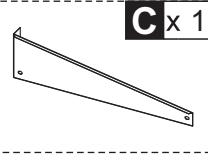
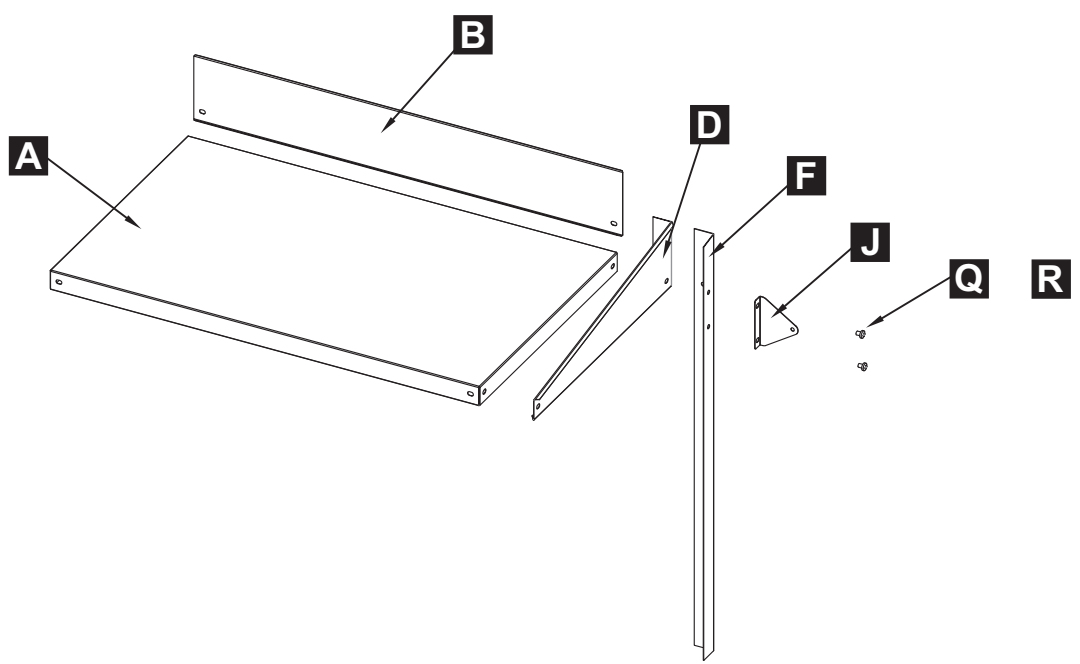
F x 1



J x 1



Q x 2



C x 1



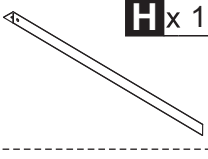
Q x 8



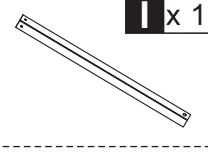
G x 1



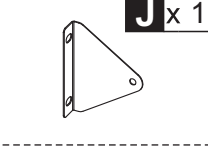
R x 8



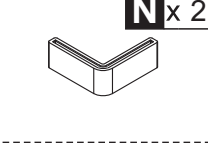
H x 1



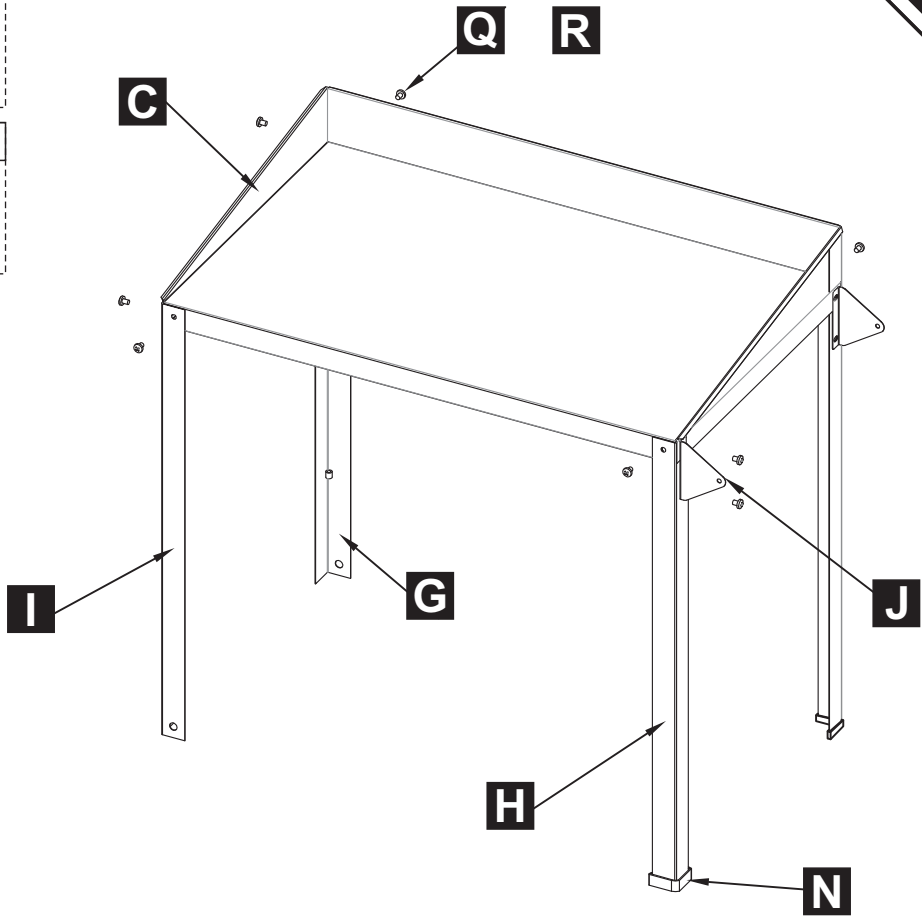
I x 1



J x 1



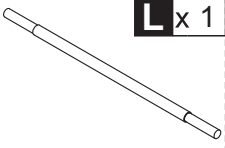
N x 2



**K x 1**



**L x 1**



**M x 2**



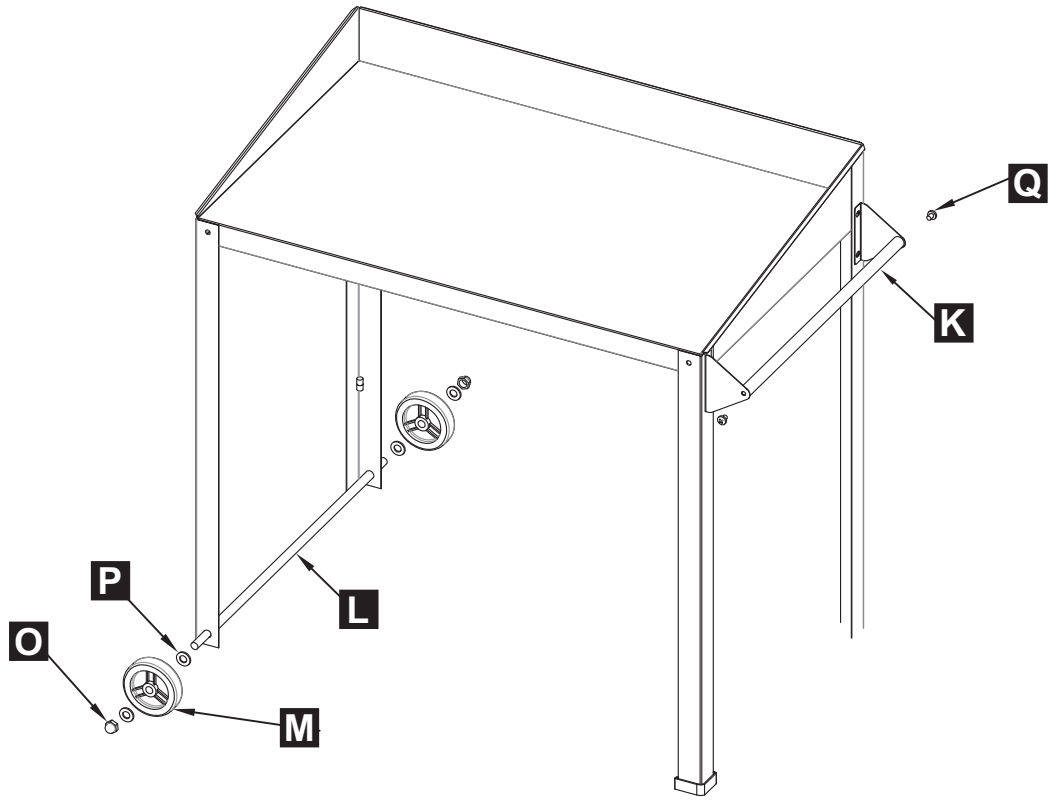
**O x 2**



**P x 4**



**Q x 2**



**E x 1**

