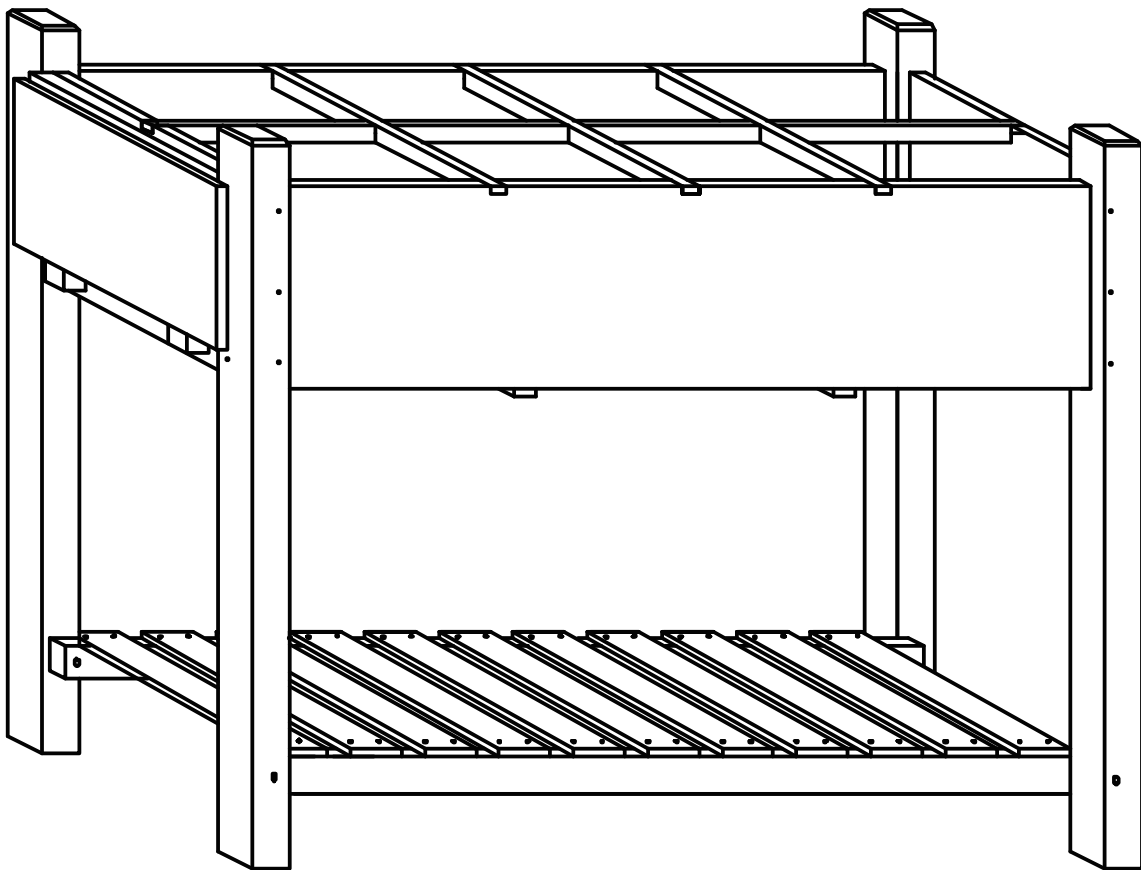




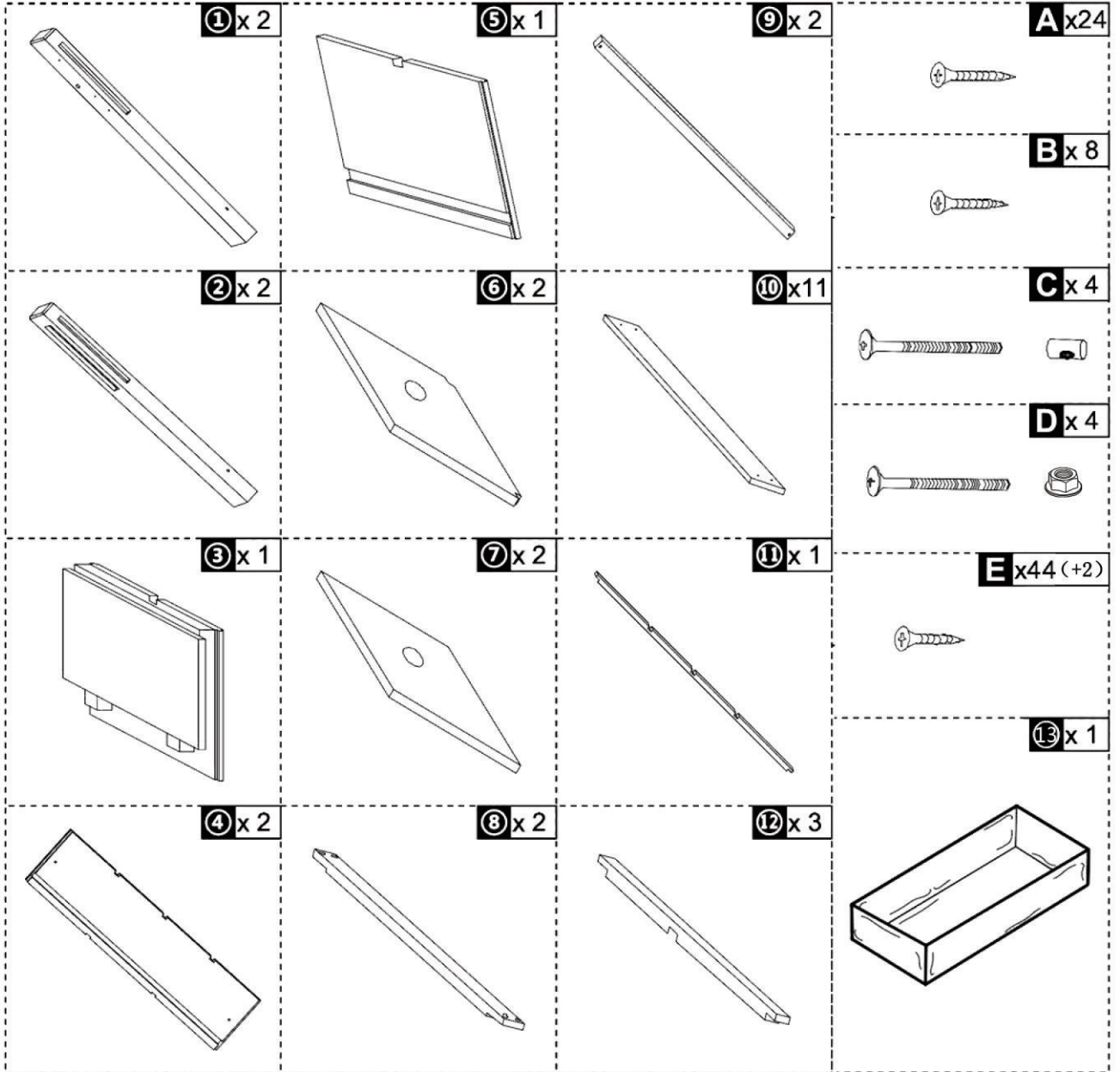
INbmb065V01\_GL

**845-396**

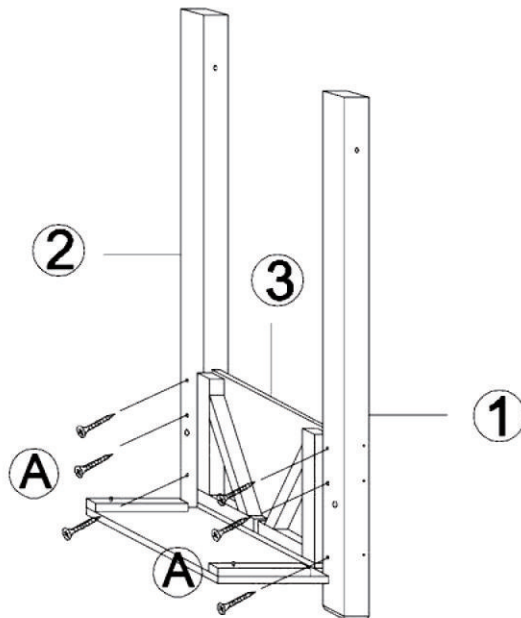


IMPORTANT, RETAIN FOR FUTURE REFERENCE: READ CAREFULLY

**ASSEMBLY & INSTRUCTION MANUAL**

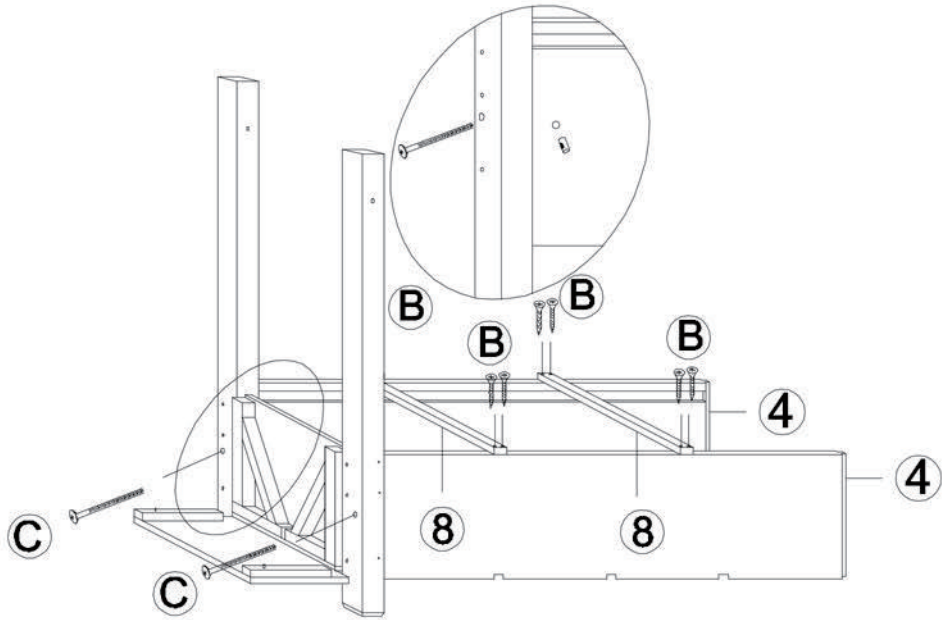


**A x 6**

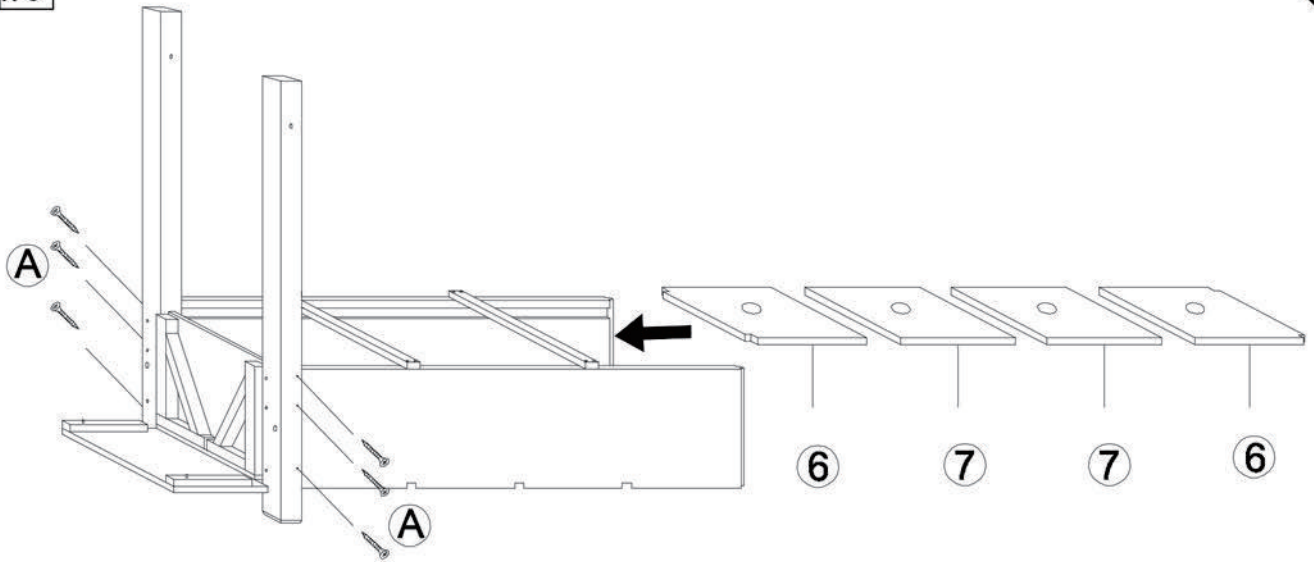


C x 2

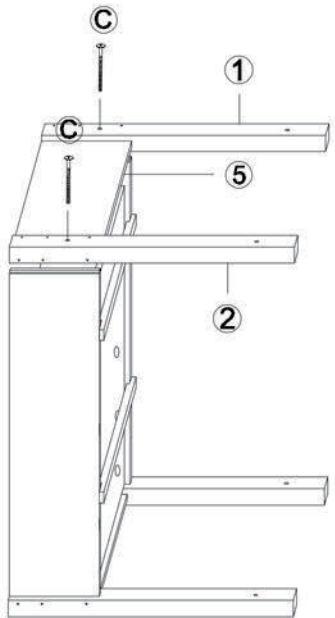
B x 8



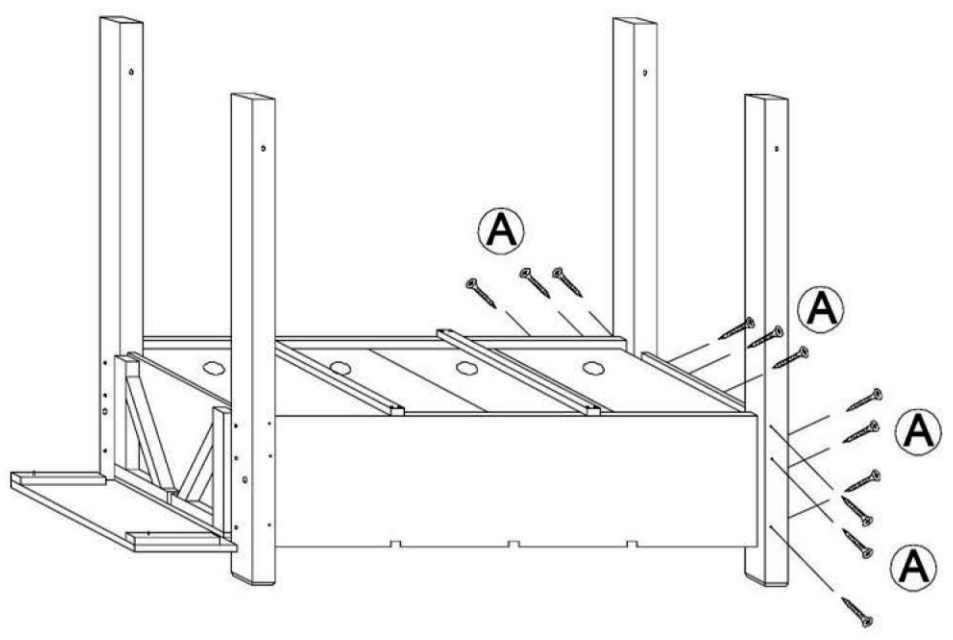
A x 6



C x 2

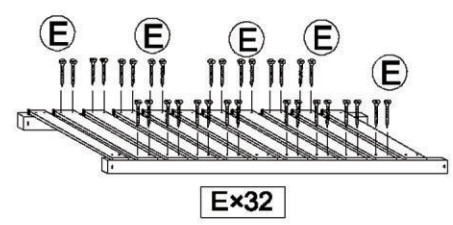
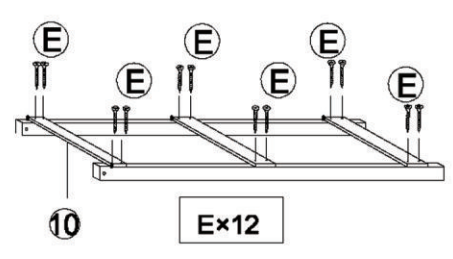


A x12



E x12

E x32



D x4

