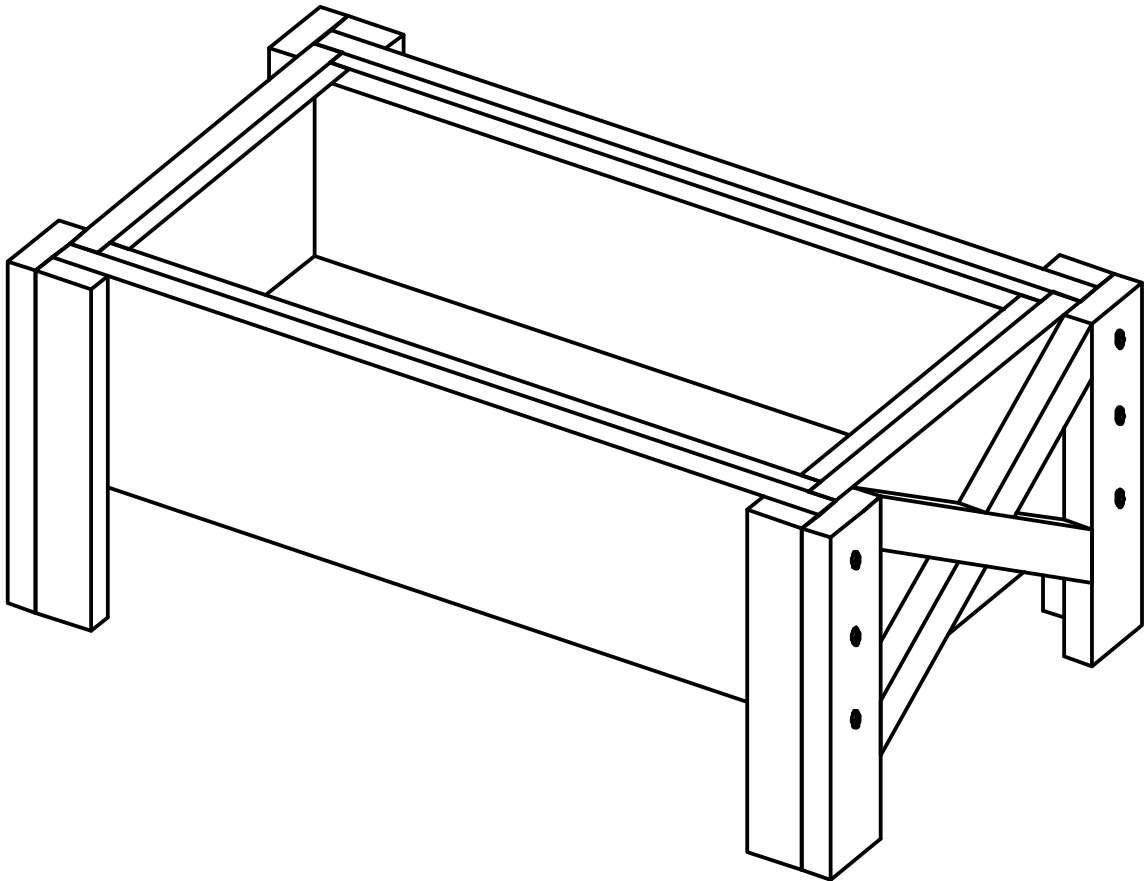




INbmb066V01_GL

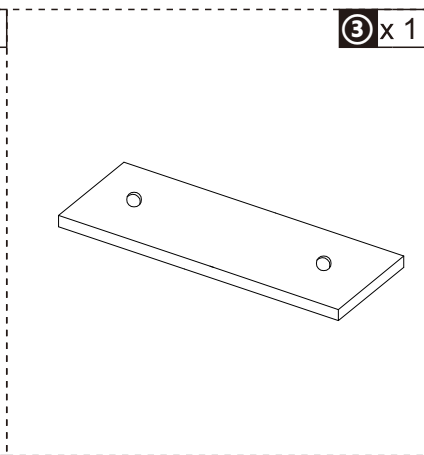
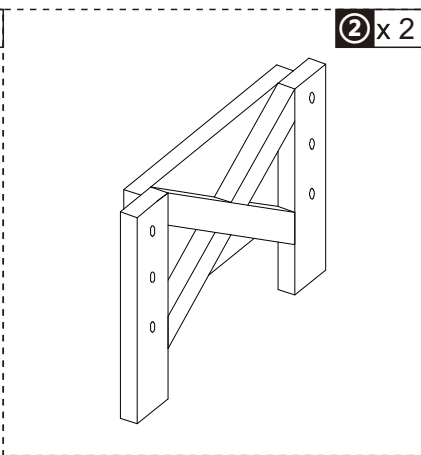
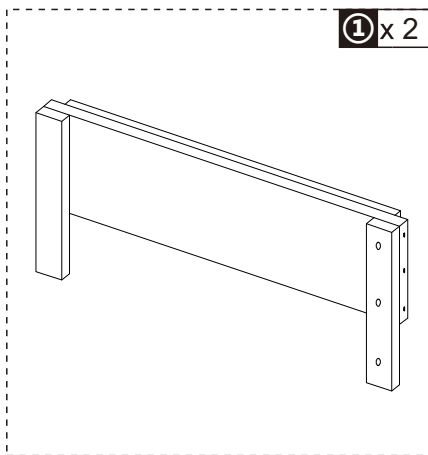
845-458



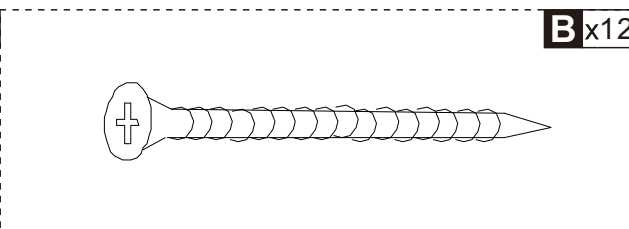
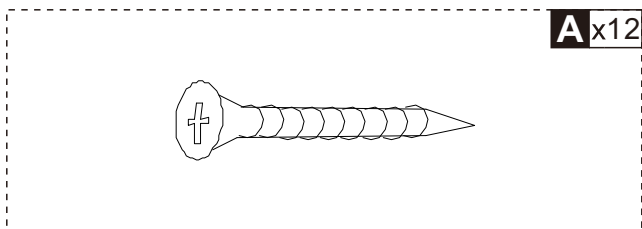
IMPORTANT, RETAIN FOR FUTURE REFERENCE: READ CAREFULLY

ASSEMBLY & INSTRUCTION MANUAL

PARTS



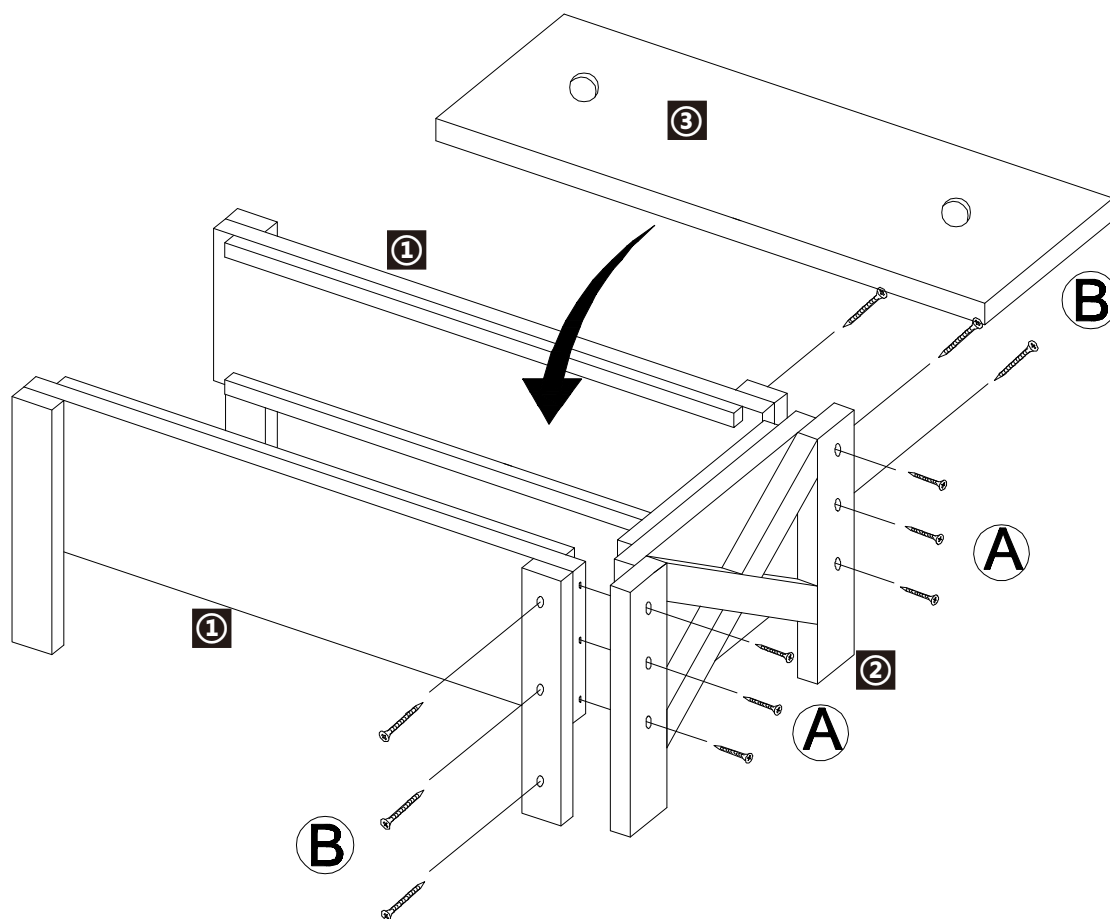
HARDWARE



01

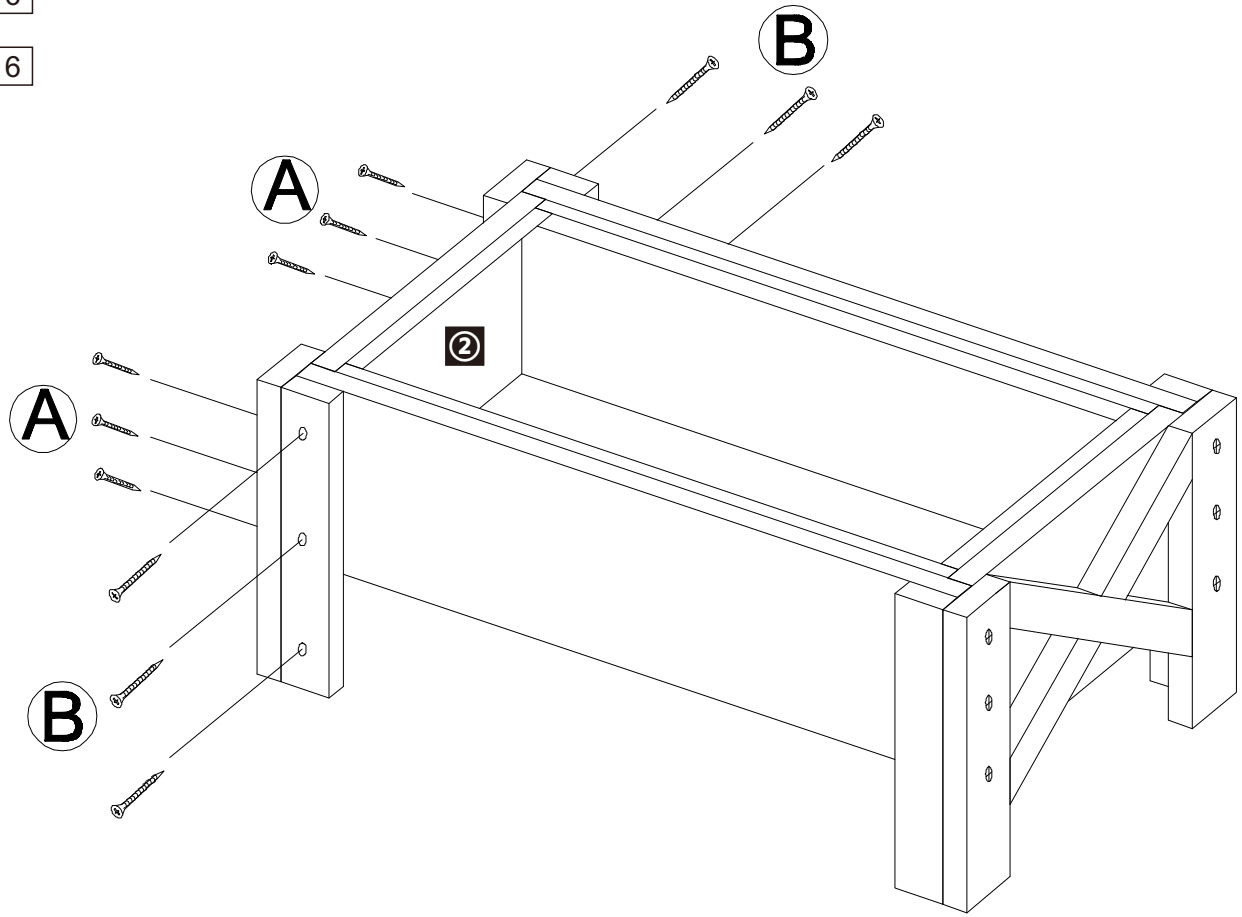
A x 6

B x 6



A x 6

B x 6



Done

