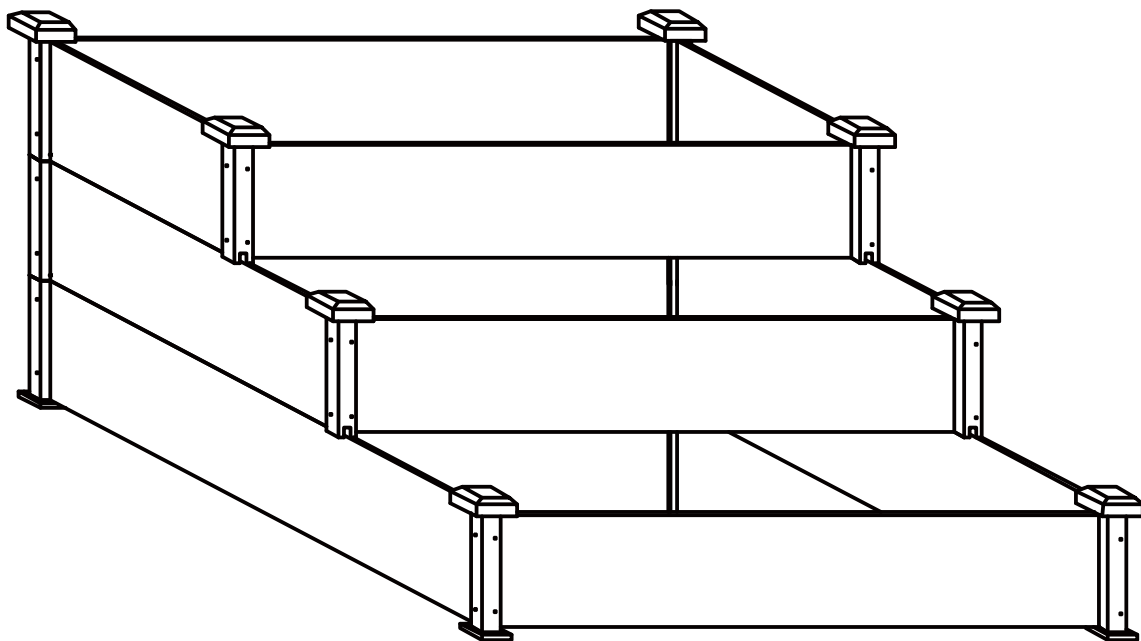




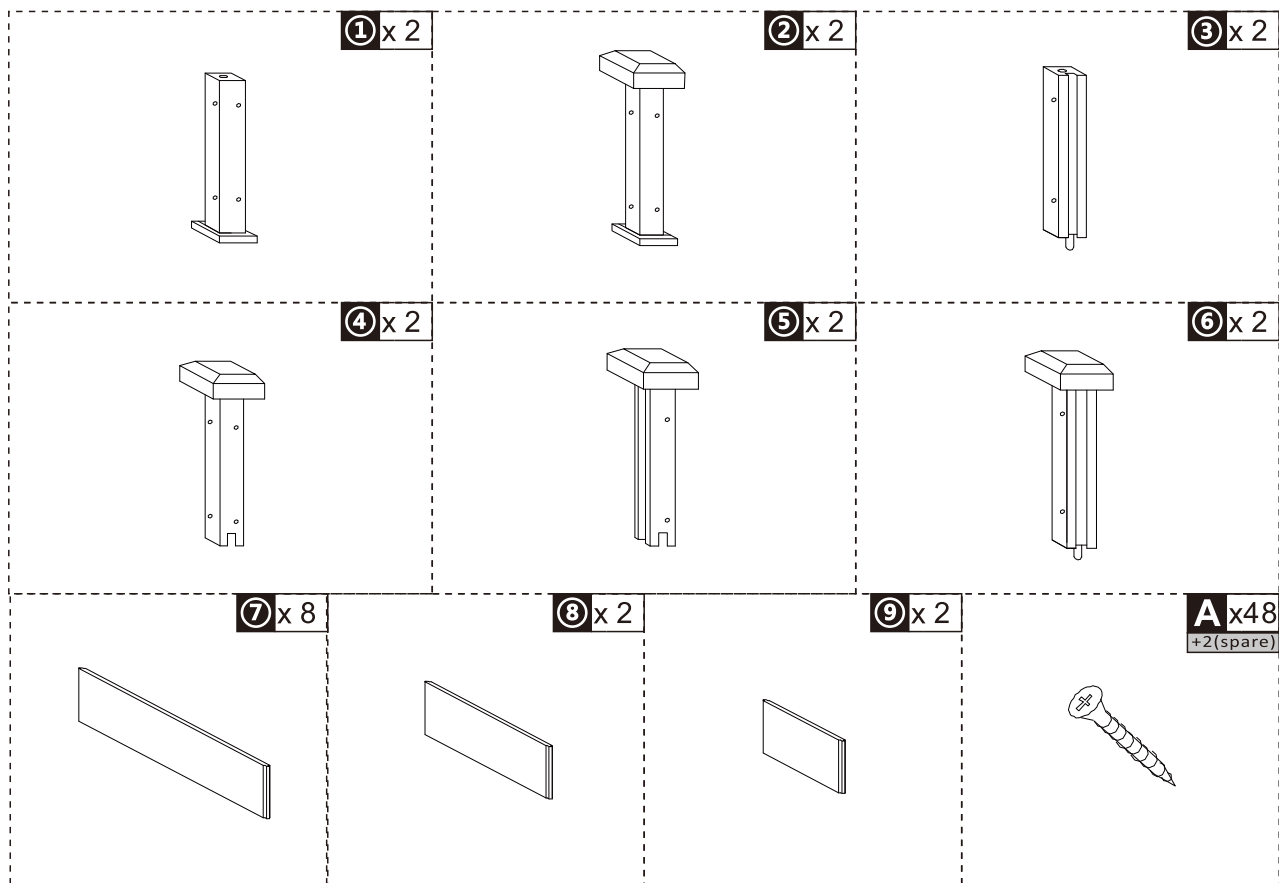
INbmb067V01\_GL

**845-451**



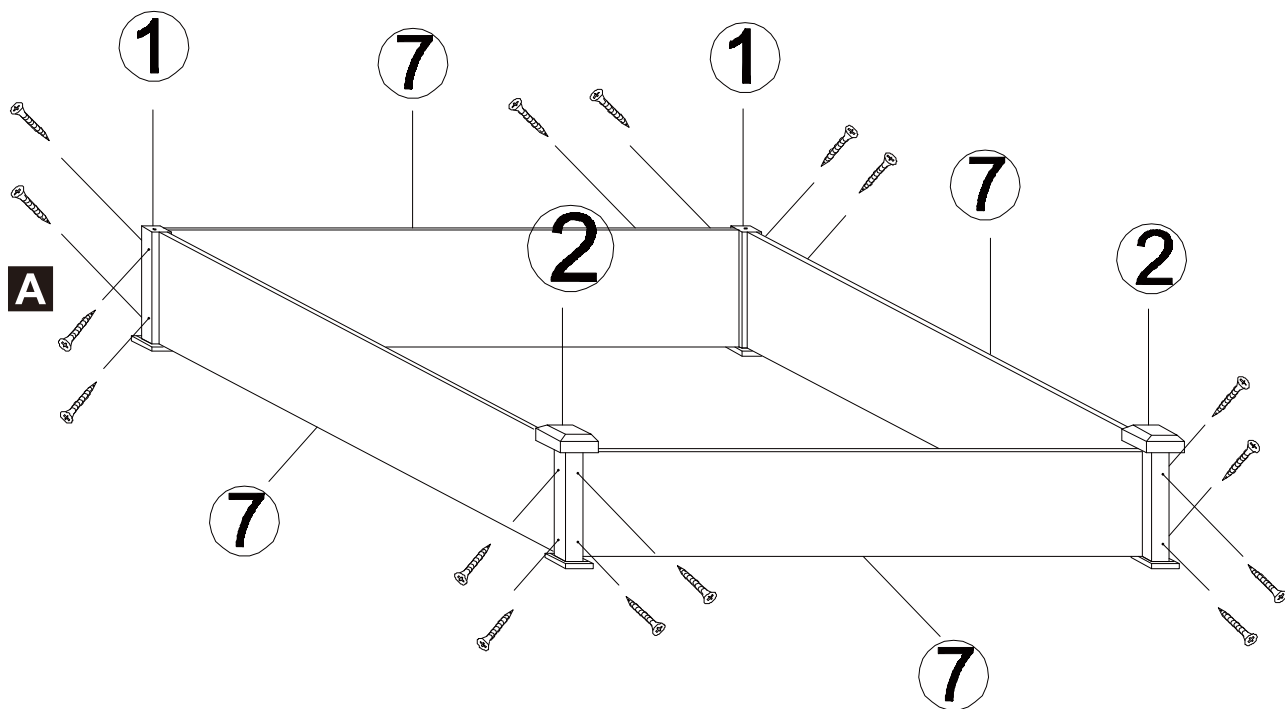
IMPORTANT, RETAIN FOR FUTURE REFERENCE: READ CAREFULLY

# ASSEMBLY & INSTRUCTION MANUAL

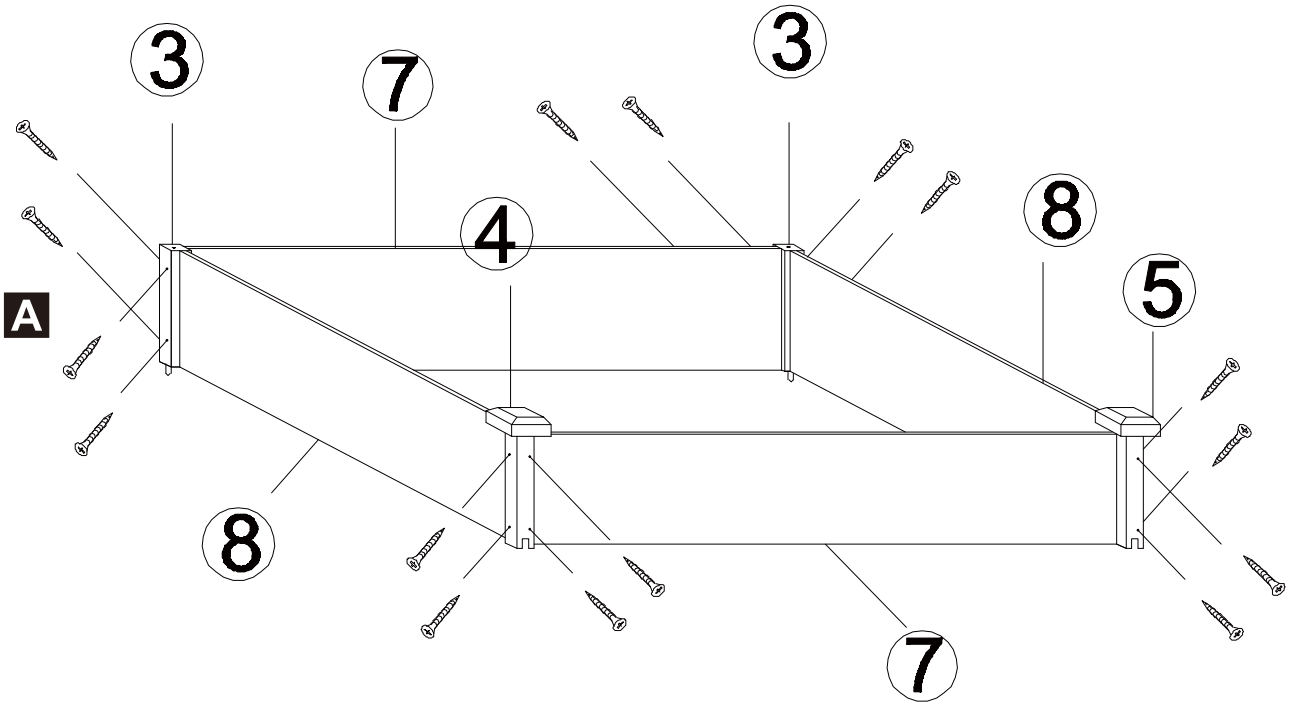


A x 16

01



Ax16



Ax16

