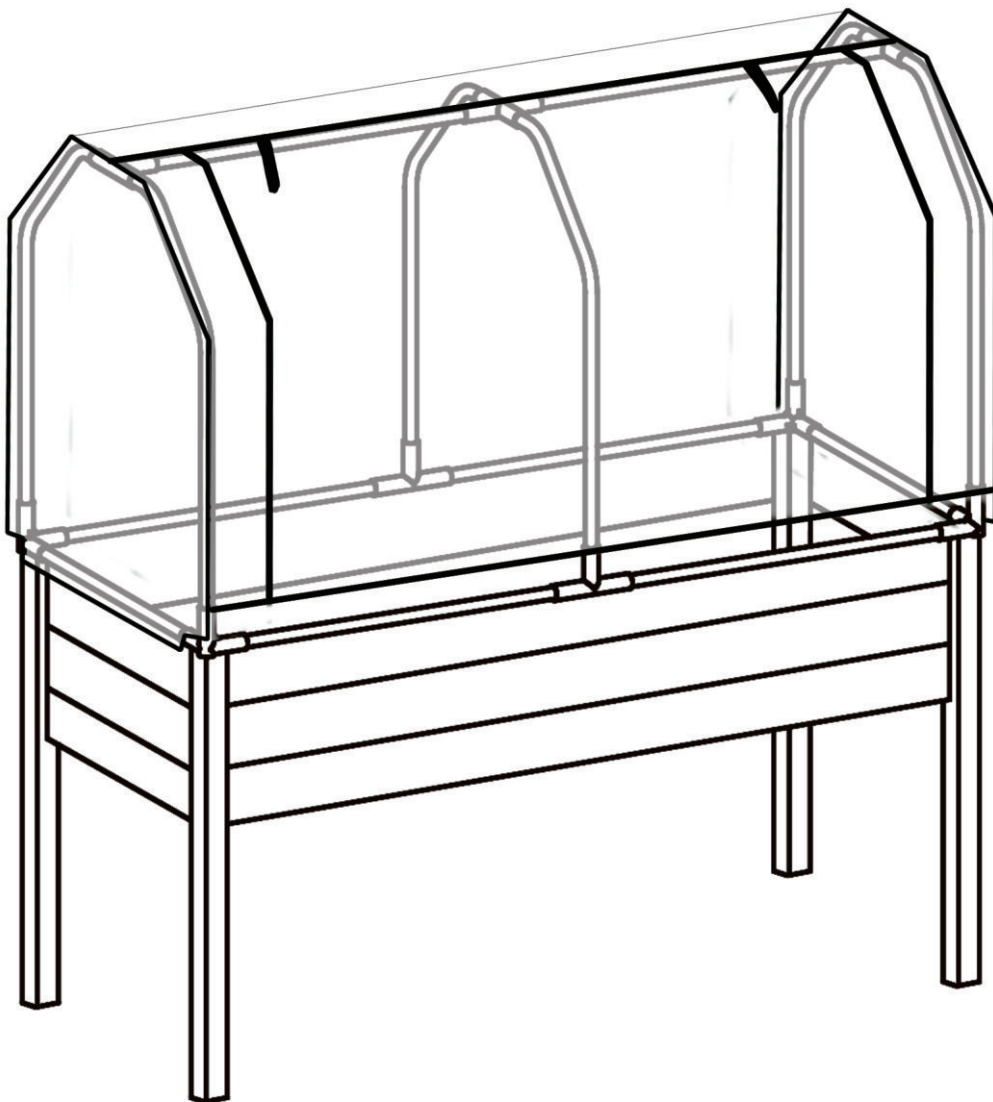




INbmb079V01\_GL

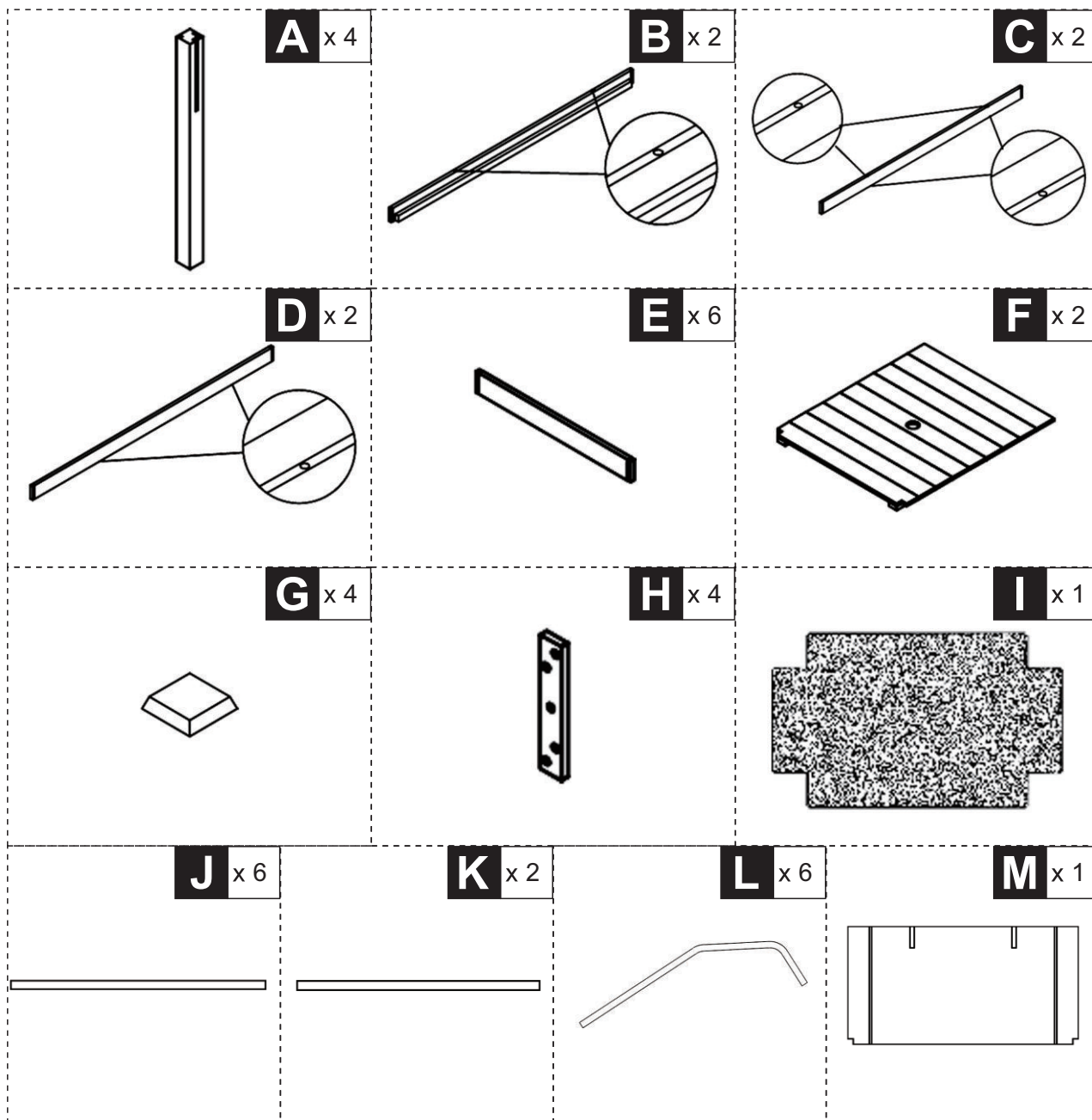
**845-364**



IMPORTANT, RETAIN FOR FUTURE REFERENCE: READ CAREFULLY

# ASSEMBLY & INSTRUCTION MANUAL

**PARTS**



**HARDWARE**

