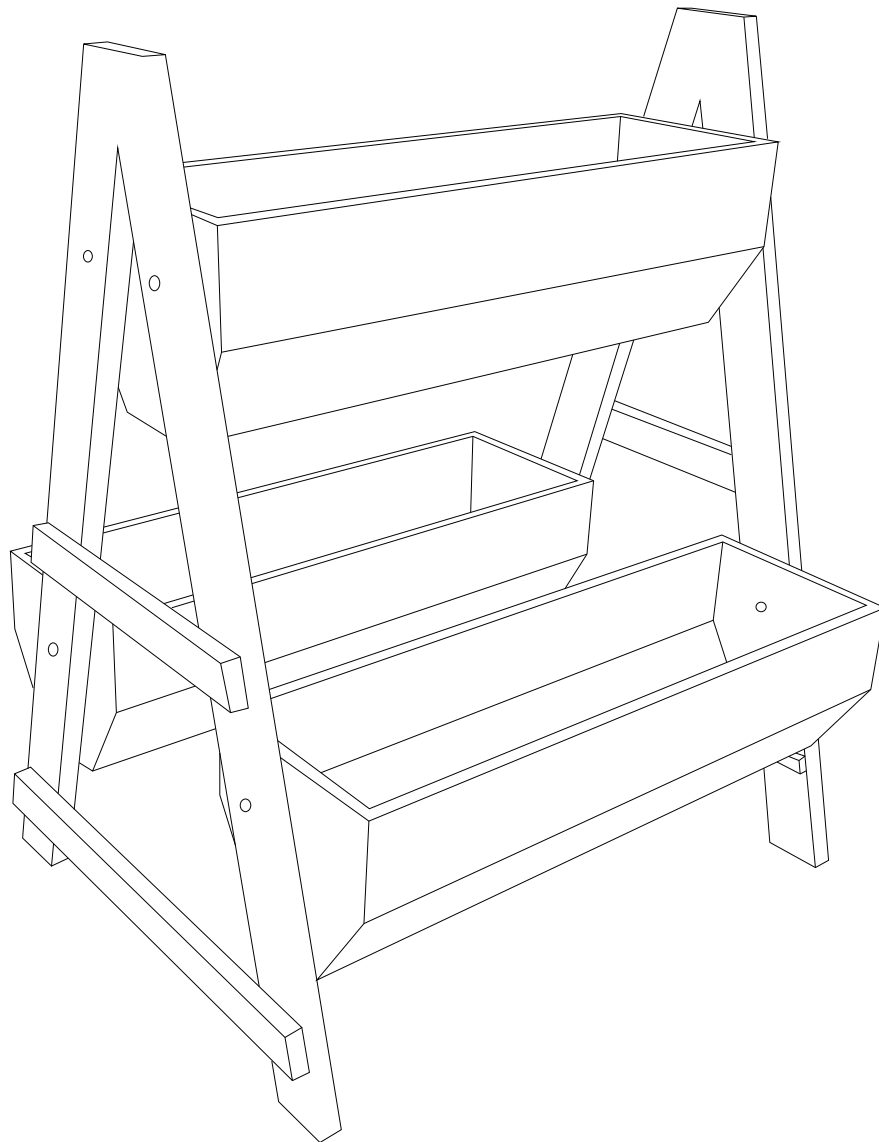




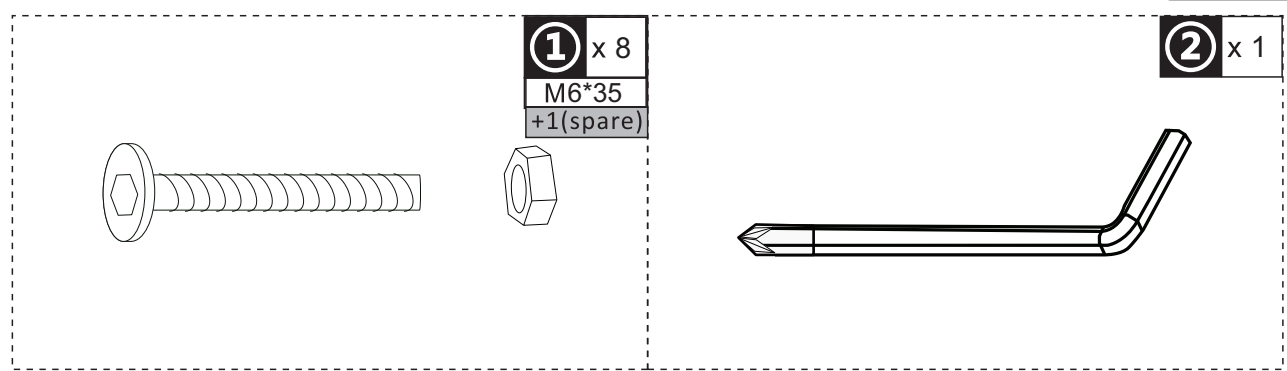
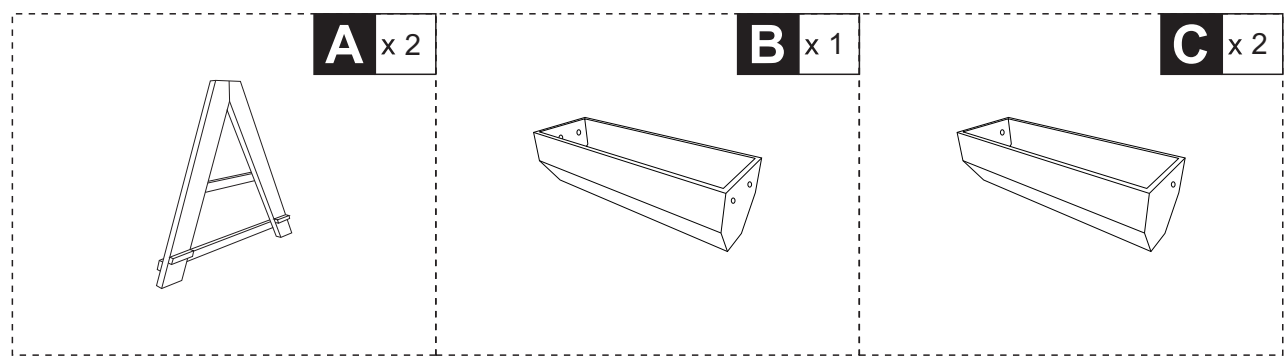
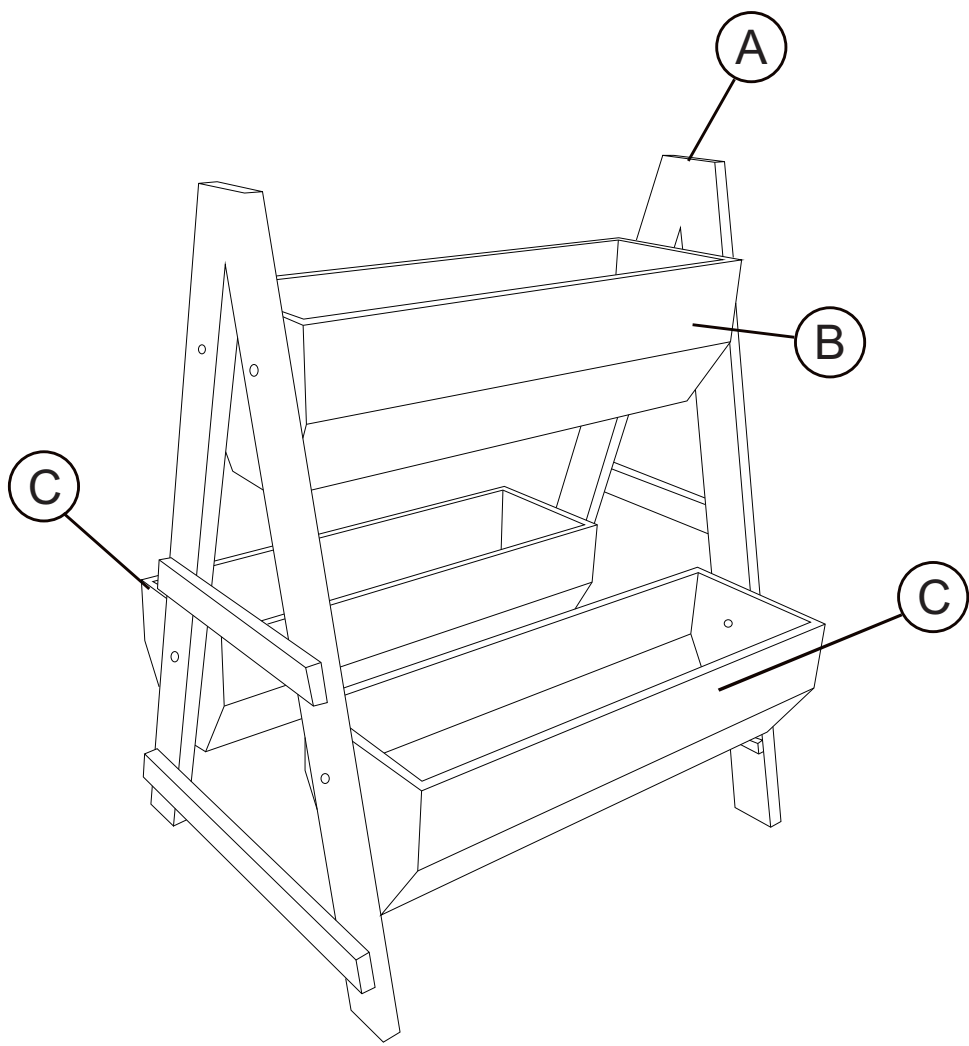
INbmb111_GL

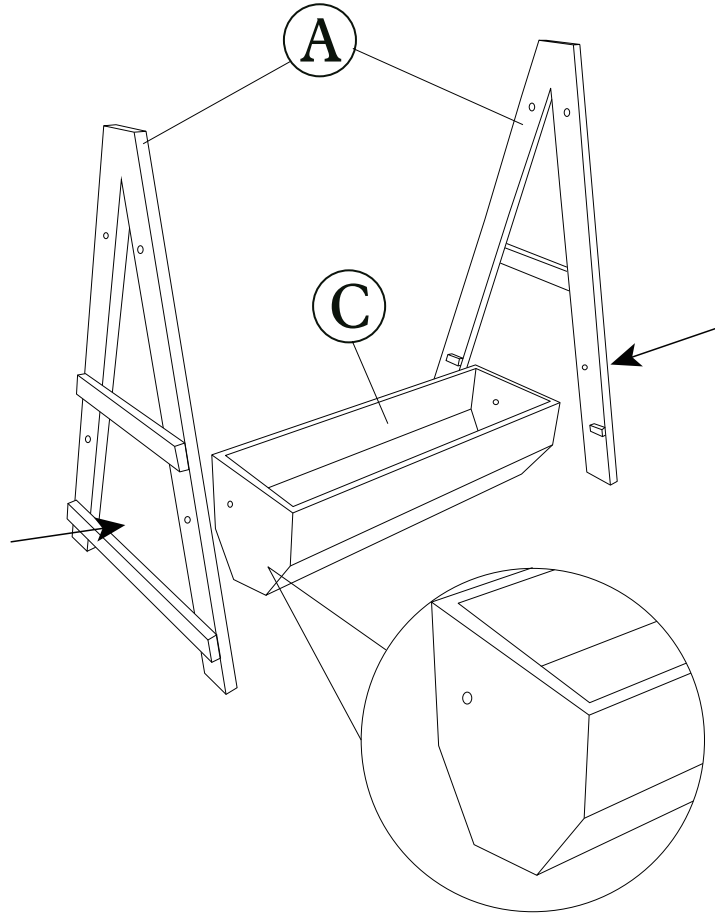
845-683



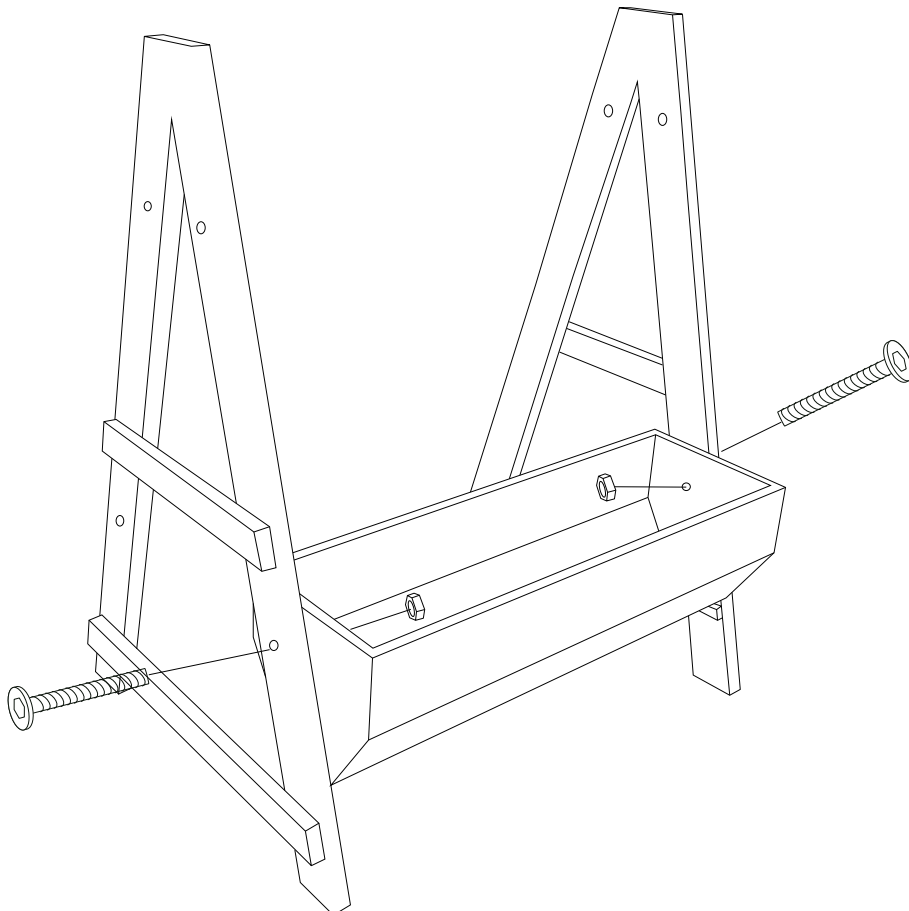
IMPORTANT, RETAIN FOR FUTURE REFERENCE: READ CAREFULLY

ASSEMBLY & INSTRUCTION MANUAL

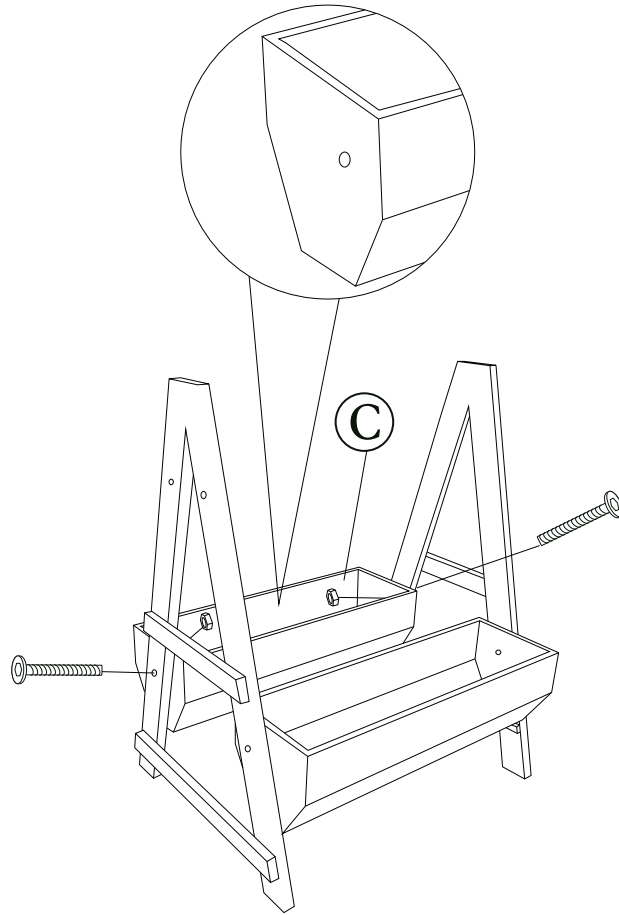




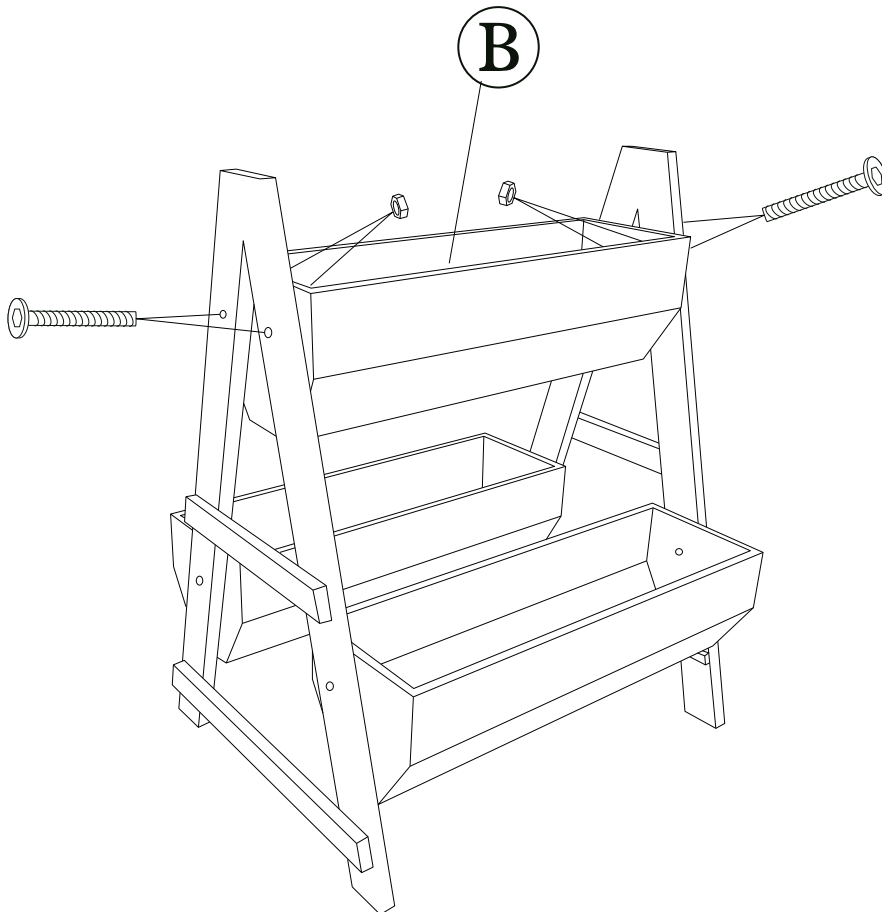
1 x 2
M6*35



1 x 2
M6*35



1 x 4
M6*35



Done