



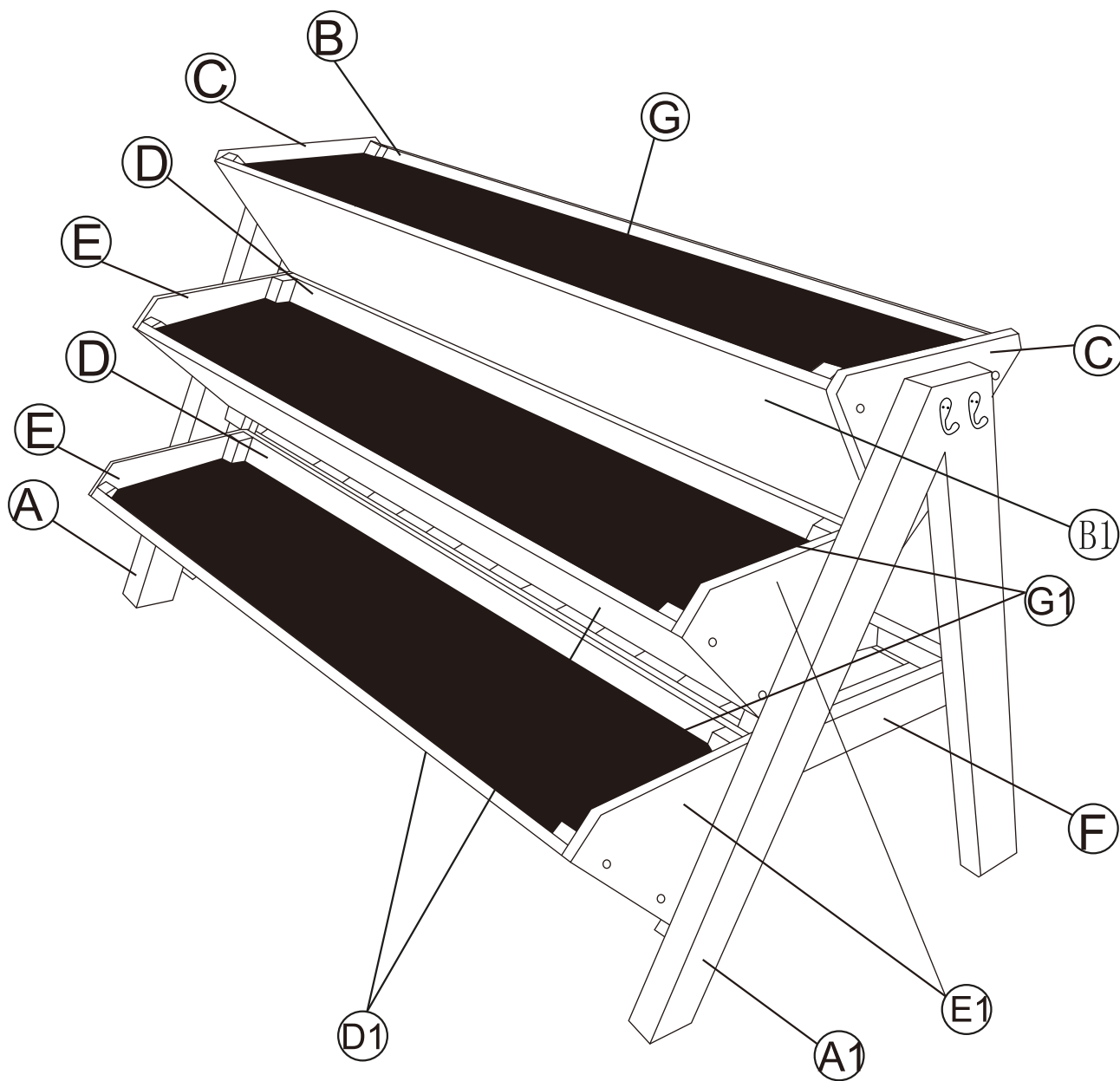
INbmc008V02\_GL

**845-476**

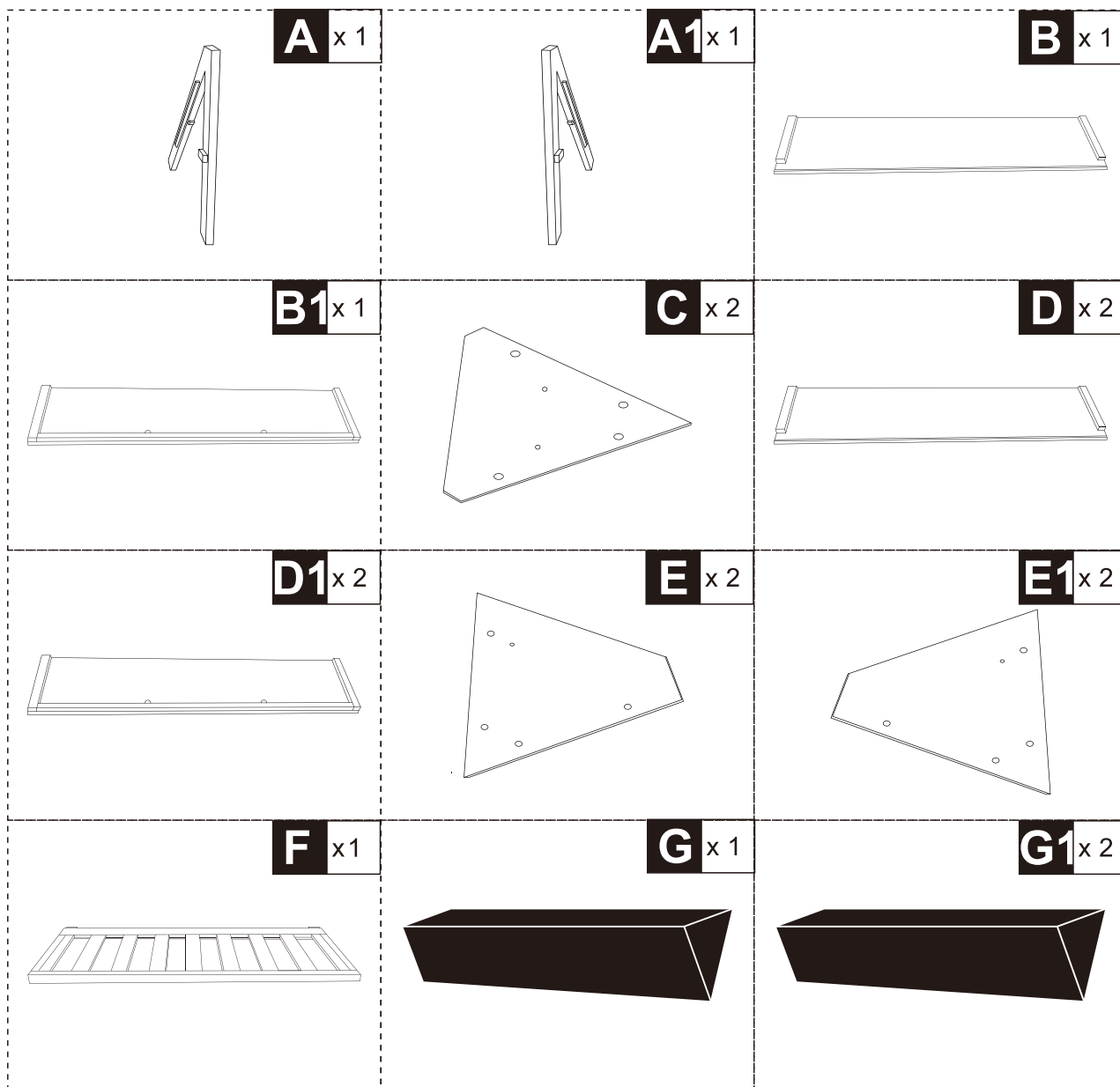


**IMPORTANT, RETAIN FOR FUTURE REFERENCE: READ CAREFULLY**

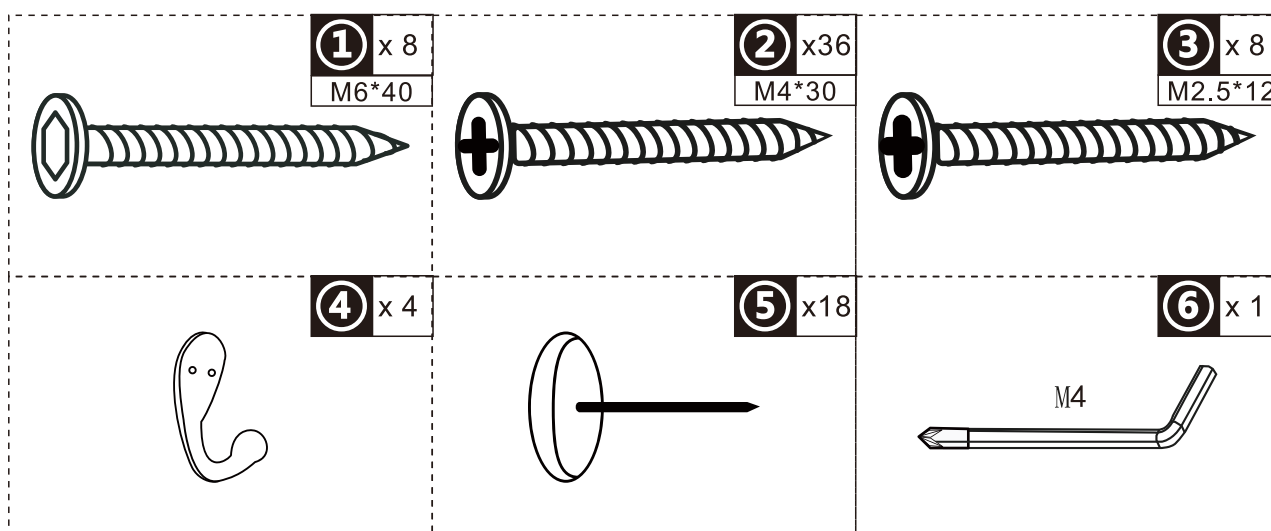
# ASSEMBLY & INSTRUCTION MANUAL



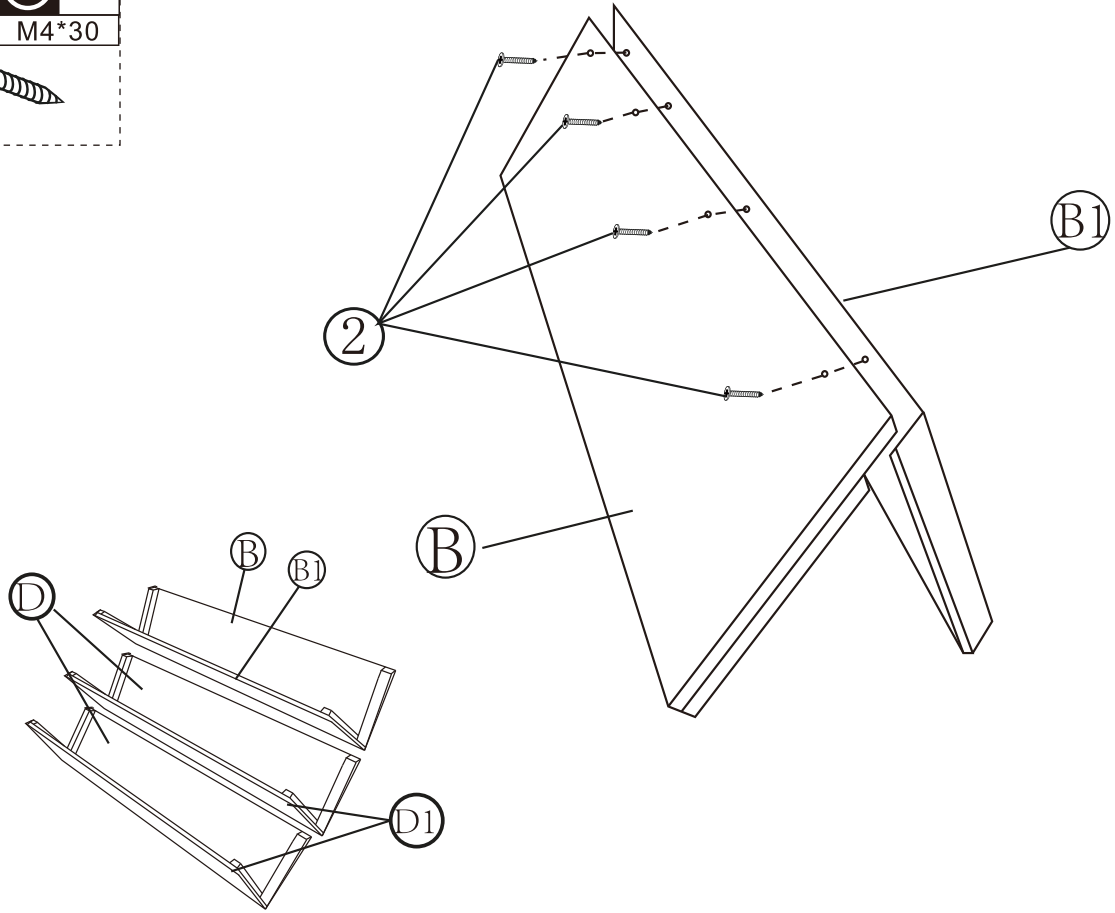
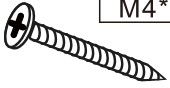
**PARTS**



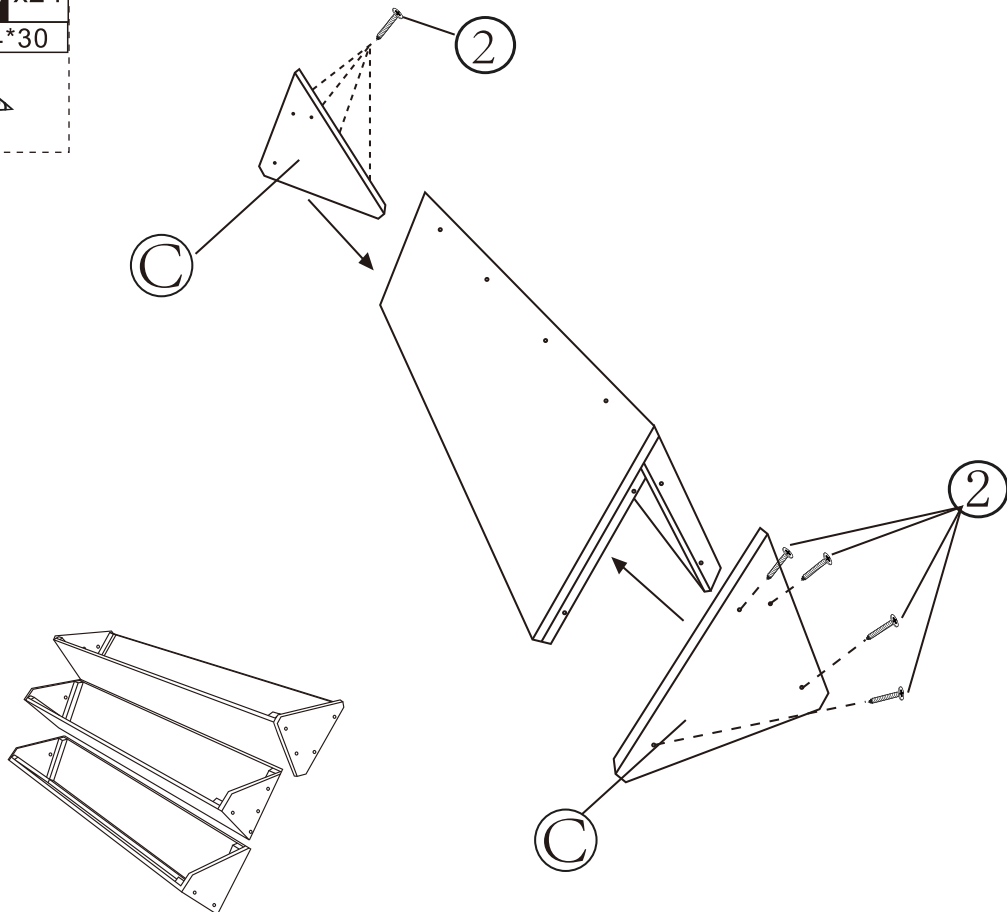
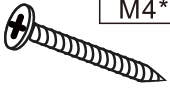
**HARDWARE**



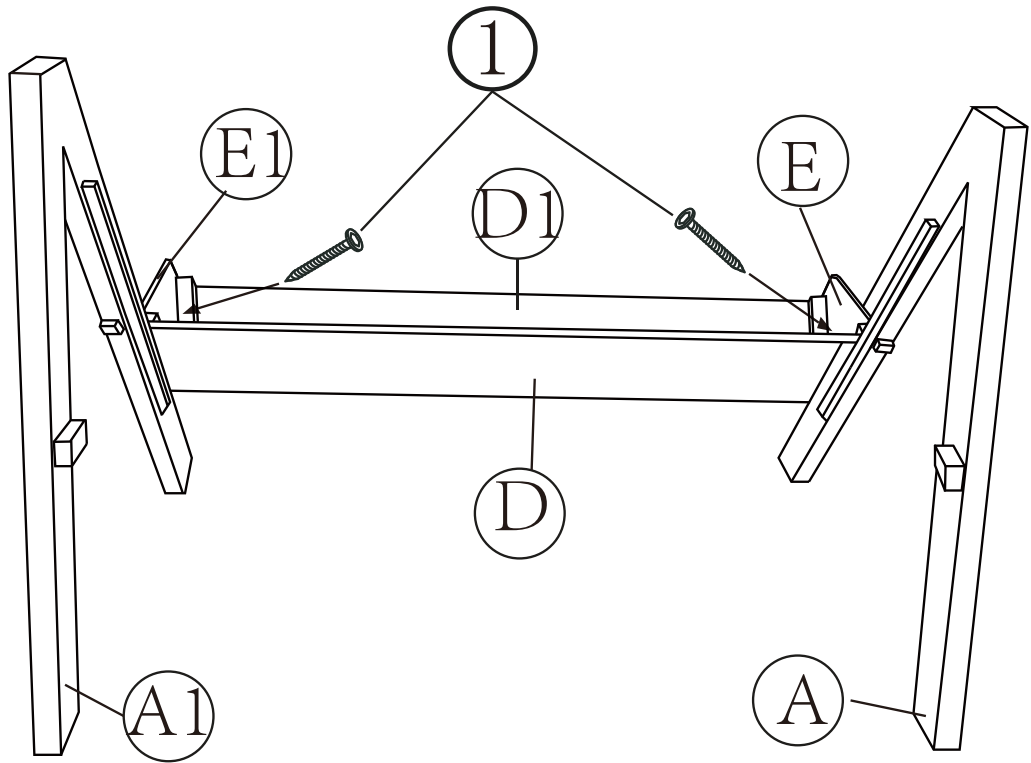
2 x12  
M4\*30



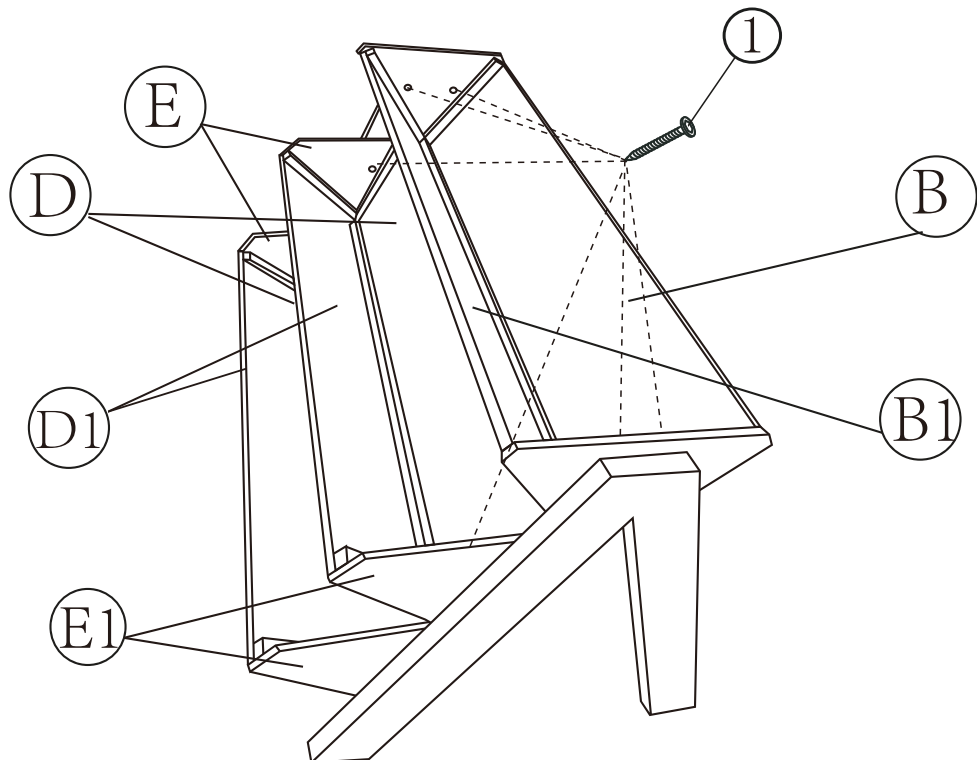
2 x24  
M4\*30



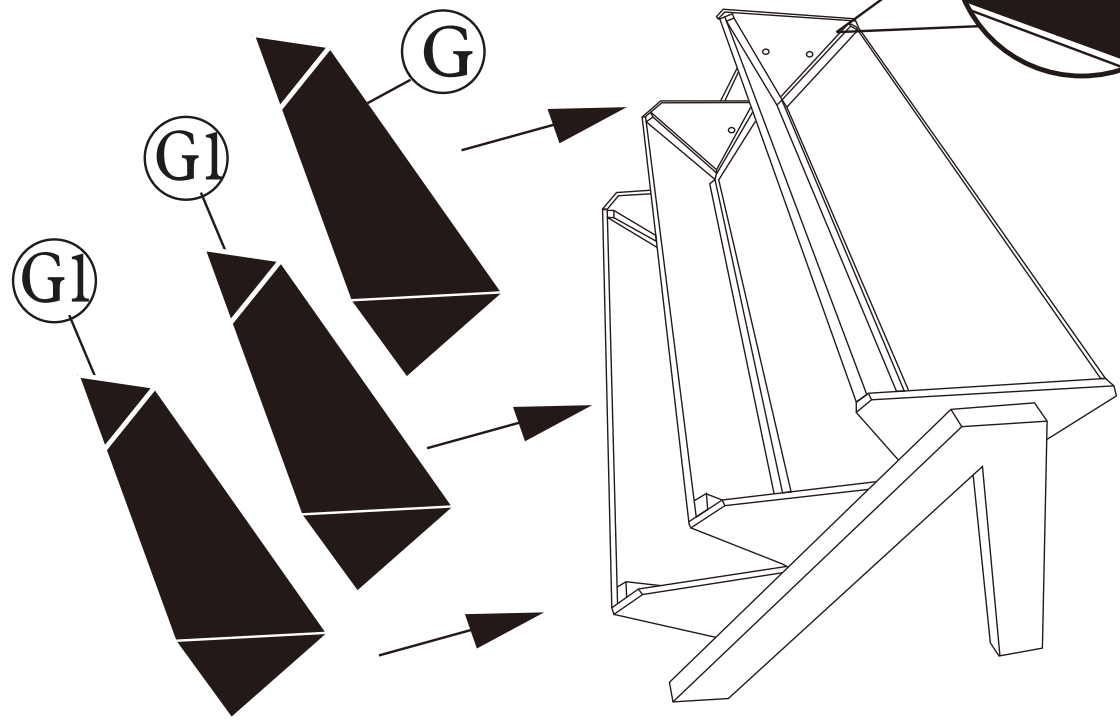
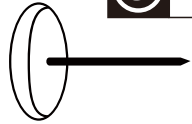
1 x 2  
M6\*40



1 x 6  
M6\*40



5 x 18



3 x 8  
M2.5\*12



4 x 4

