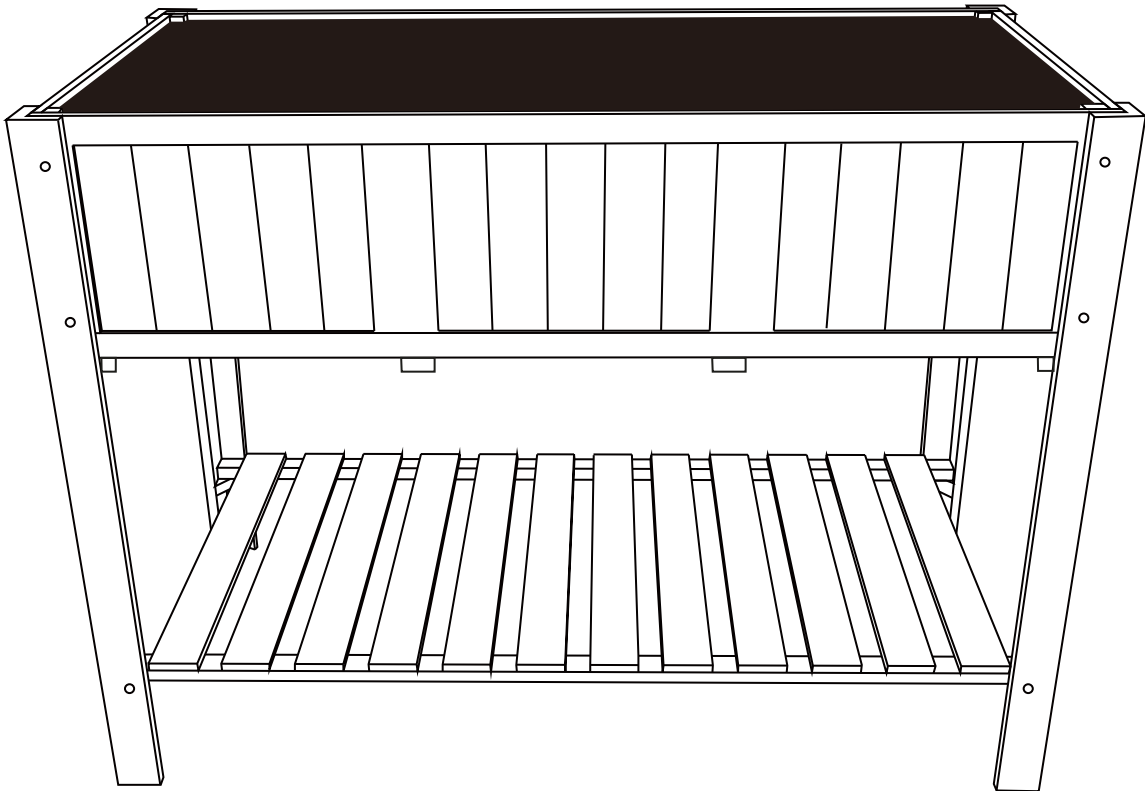




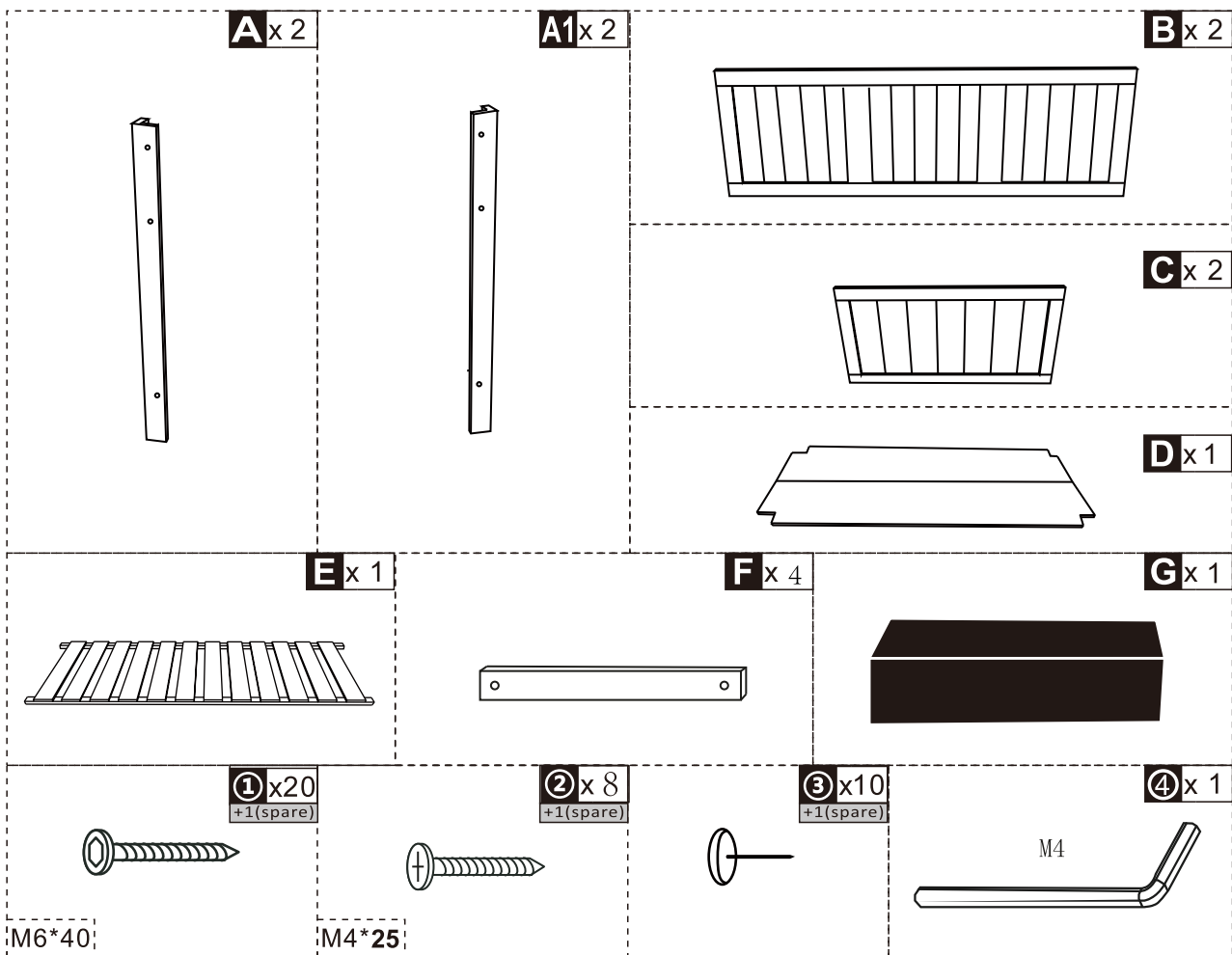
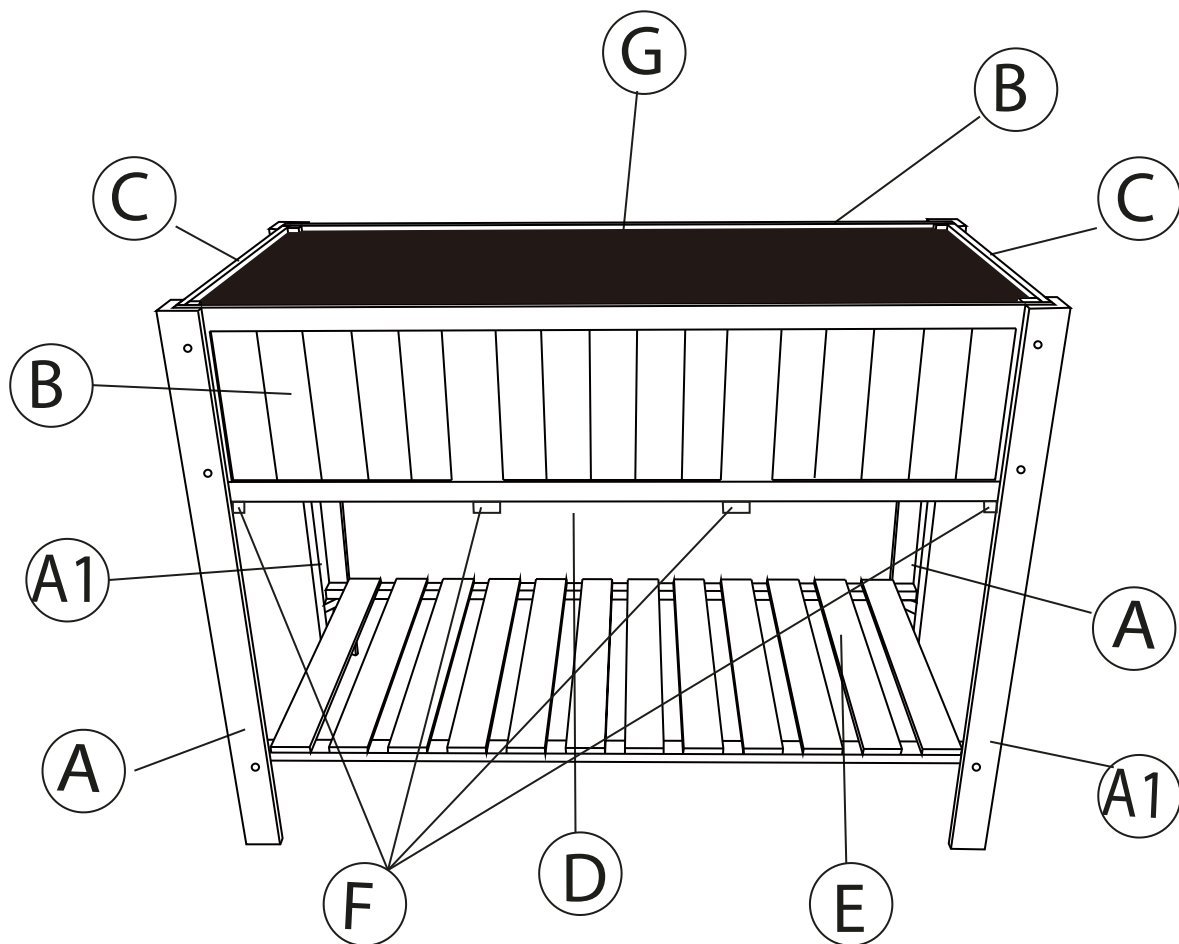
INbmc009V02_GL

845-473



IMPORTANT, RETAIN FOR FUTURE REFERENCE: READ CAREFULLY

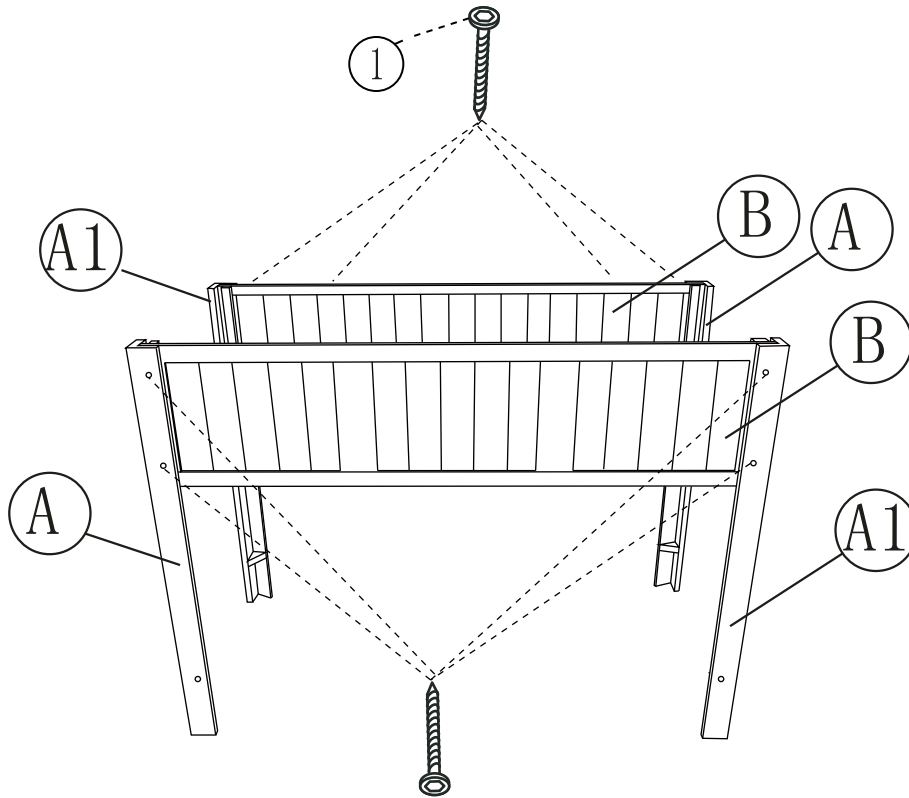
ASSEMBLY & INSTRUCTION MANUAL



① M6x40mm -8Pieces



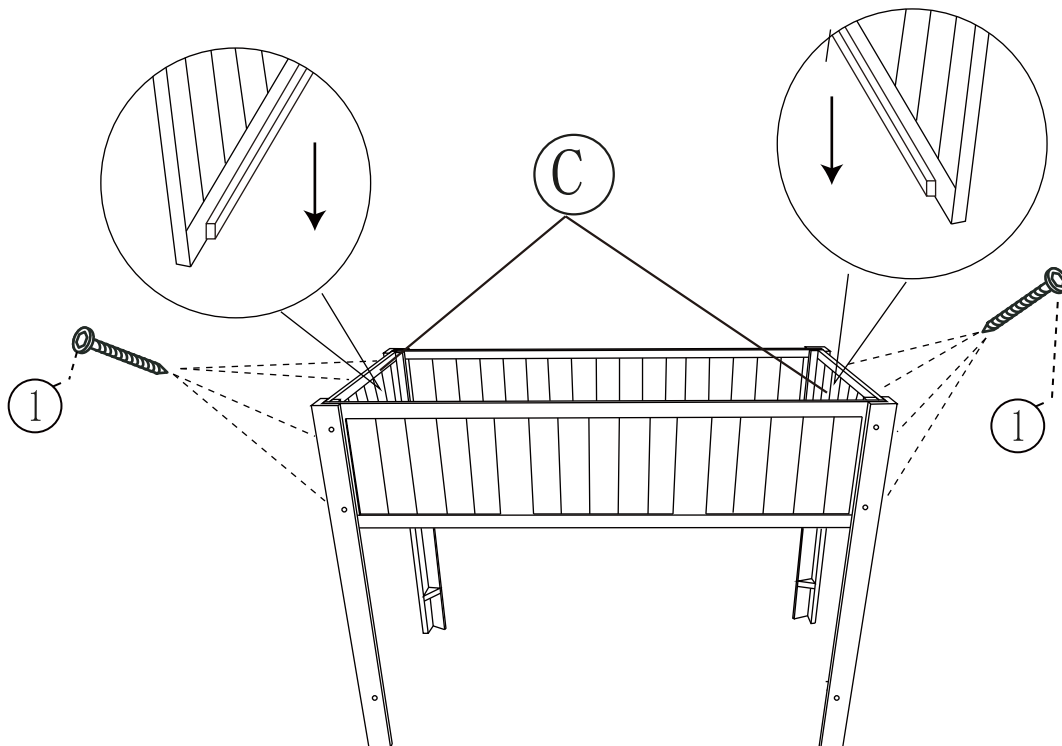
01



① M6x40mm -8Pieces

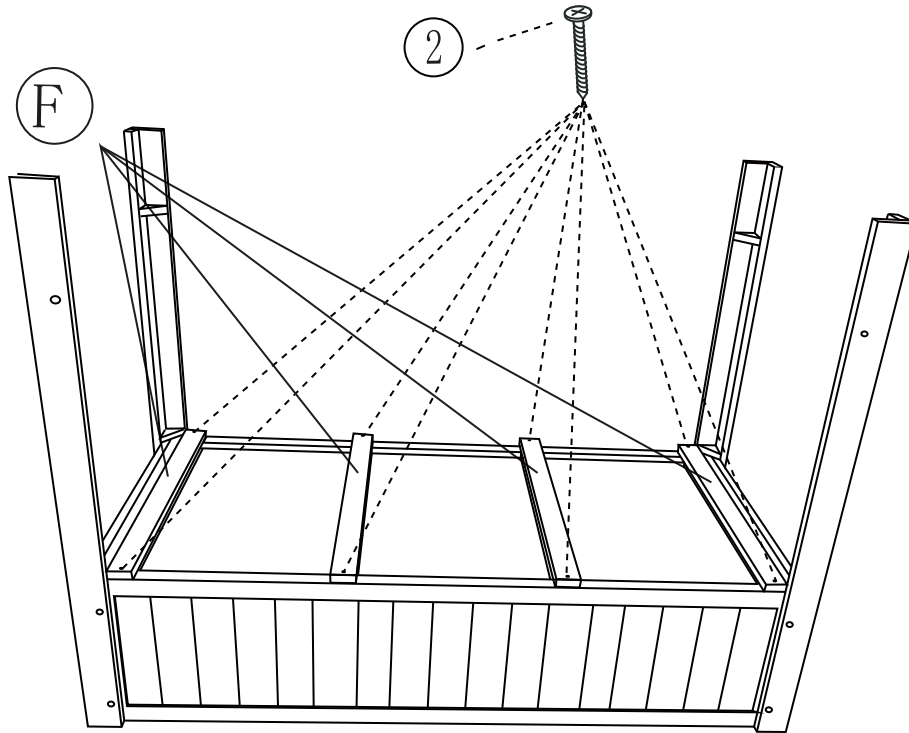


02



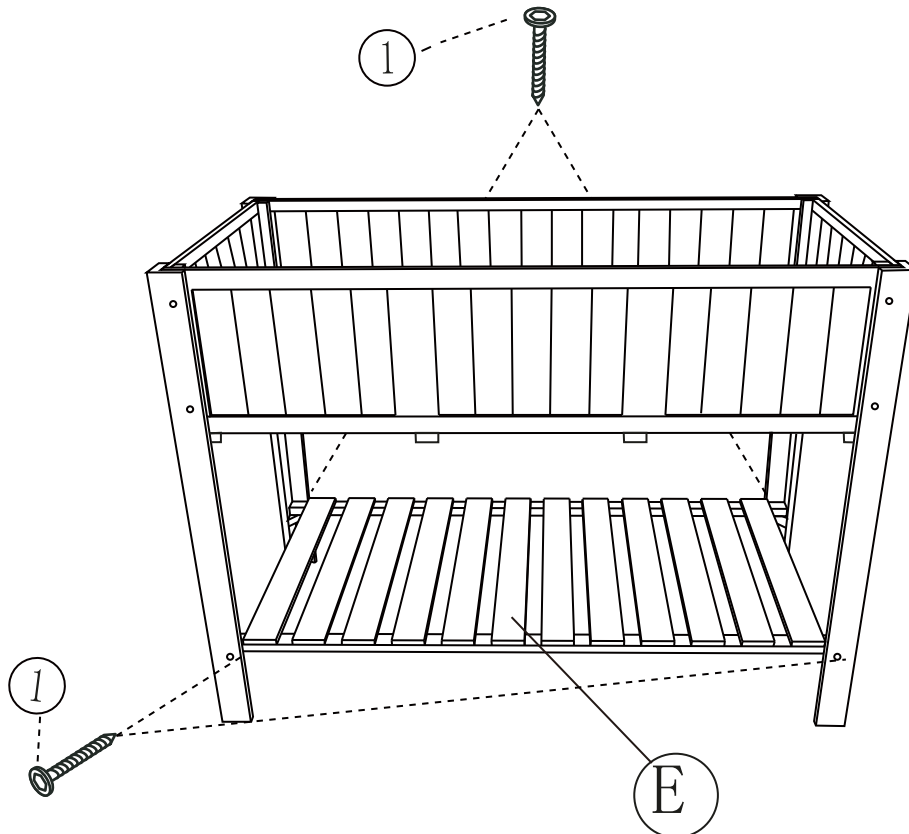
② M4*25mm -8Pieces 

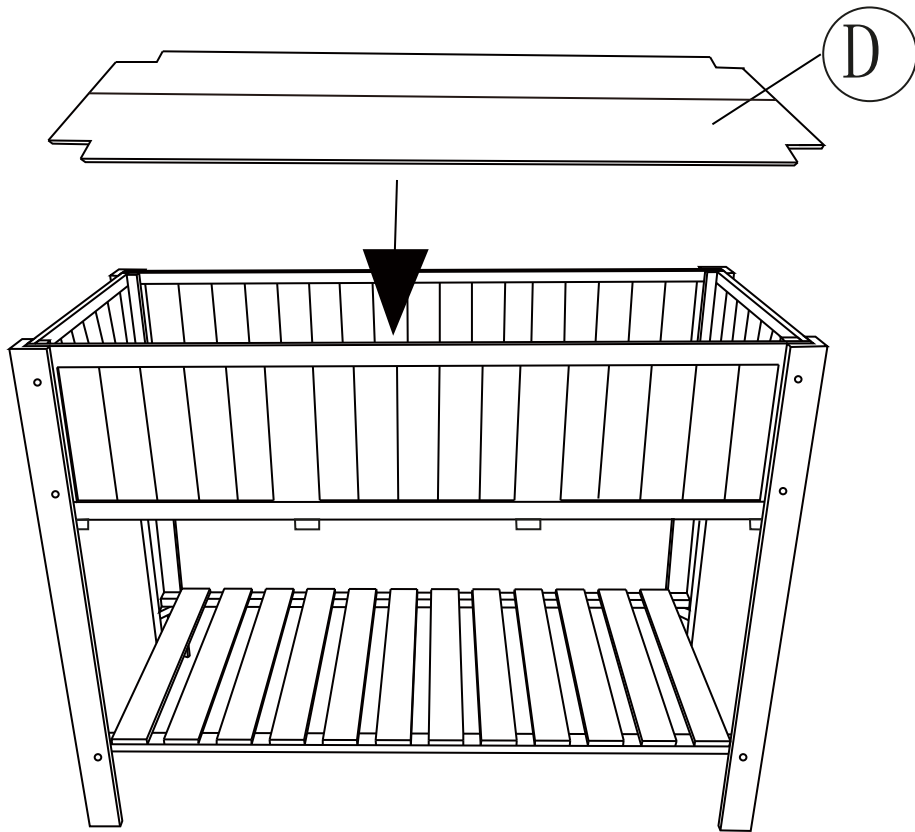
03



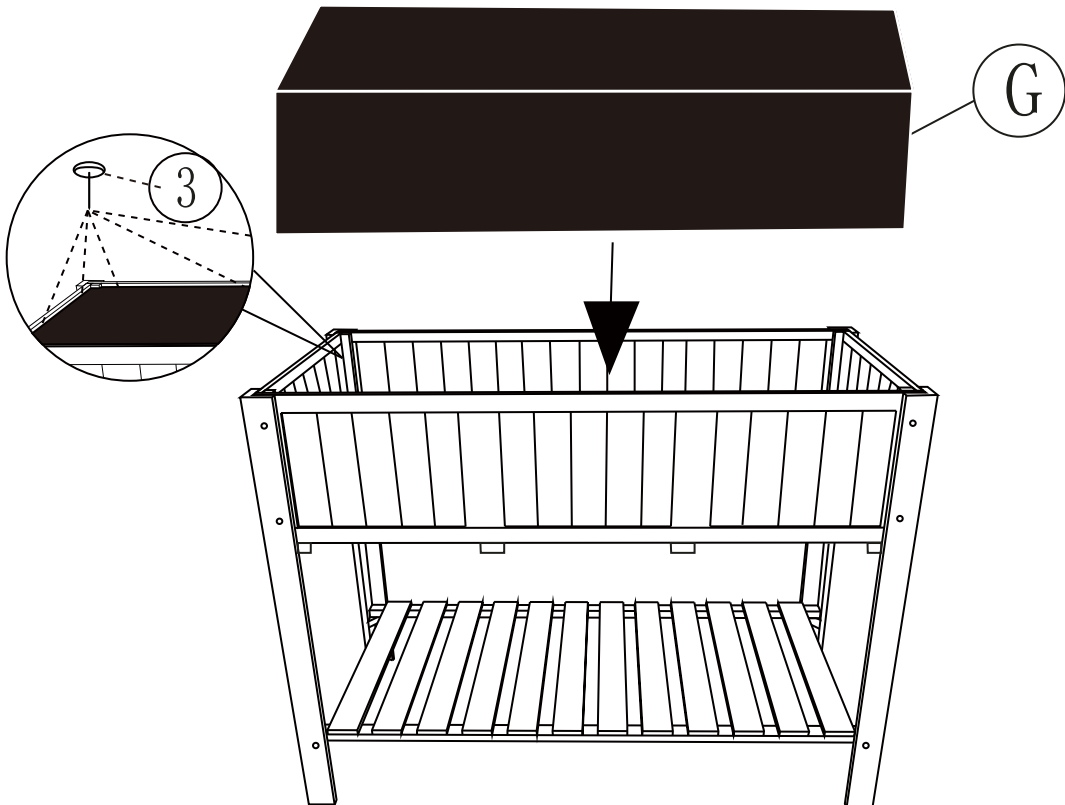
① M6x40mm -4Pieces 

04





③ — 10 Pieces



Done