



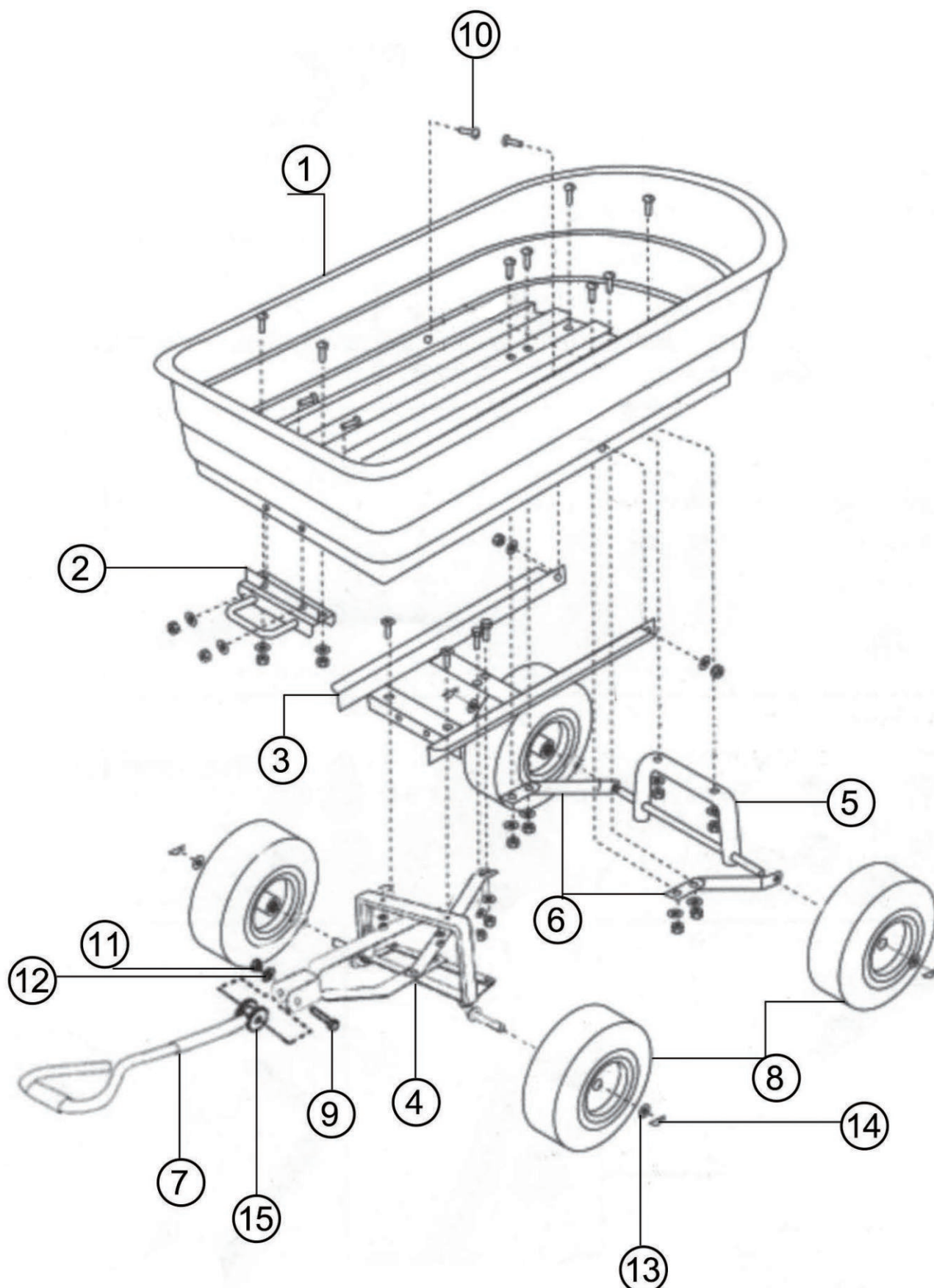
INbmd003_GL

845-636

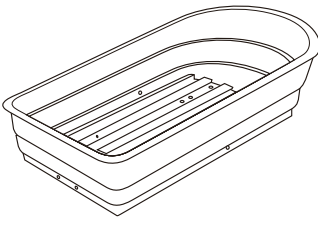
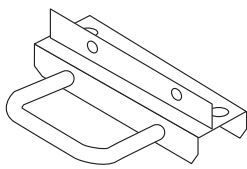
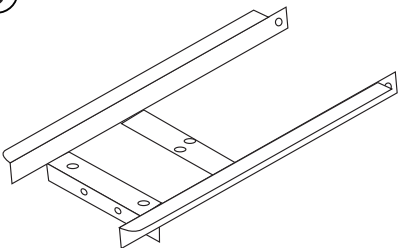
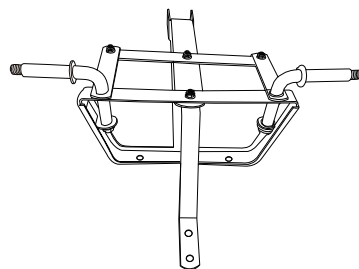
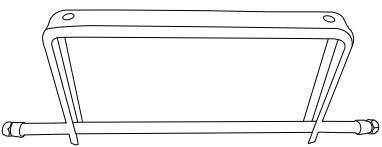
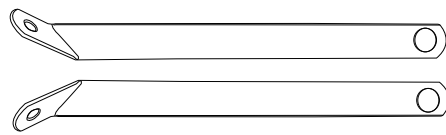
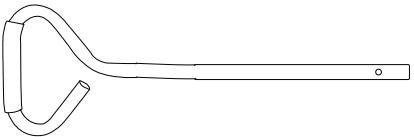
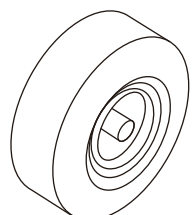


IMPORTANT, RETAIN FOR FUTURE REFERENCE: READ CAREFULLY

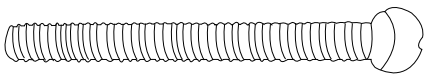
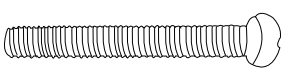
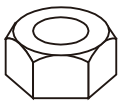
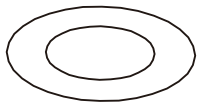
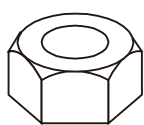

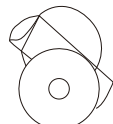
ASSEMBLY & INSTRUCTION MANUAL



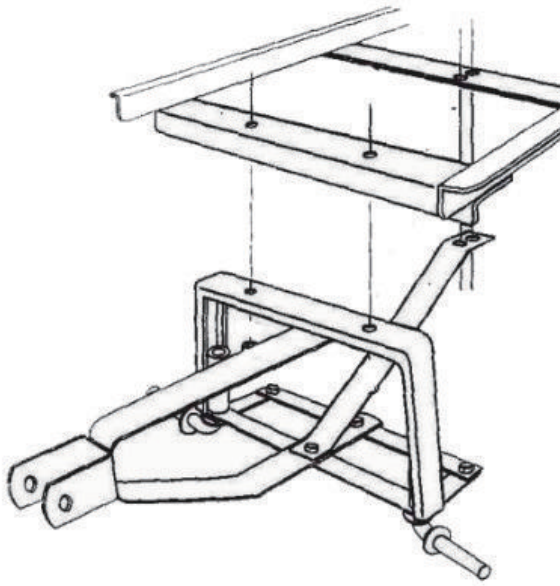
PARTS

<p>①</p> 	<p>x1</p>	<p>②</p> 	<p>x1</p>
<p>③</p> 	<p>x1</p>	<p>④</p> 	<p>x1</p>
<p>⑤</p> 	<p>x1</p>	<p>⑥</p> 	<p>x1</p>
<p>⑦</p> 	<p>x1</p>	<p>⑧</p> 	<p>x4</p>

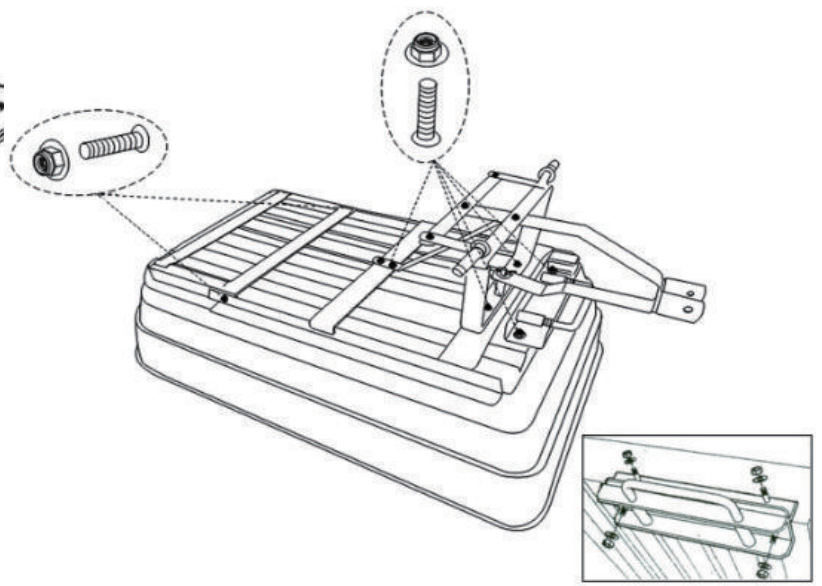
HARDWARE

<p>⑨</p>  <p>M8x60mm x1</p>	<p>⑩</p>  <p>M8x20mm x16 +1(spare)</p>	<p>⑪</p>  <p>M8 Nuts x16 +1(spare)</p>	
<p>⑫</p>  <p>M8 Flat Washers x17 +1(spare)</p>	<p>⑬</p>  <p>M12 Nylon Nuts x4</p>	<p>⑭</p>  <p>M8 Flat Washers x4</p>	<p>⑮ x1</p> 

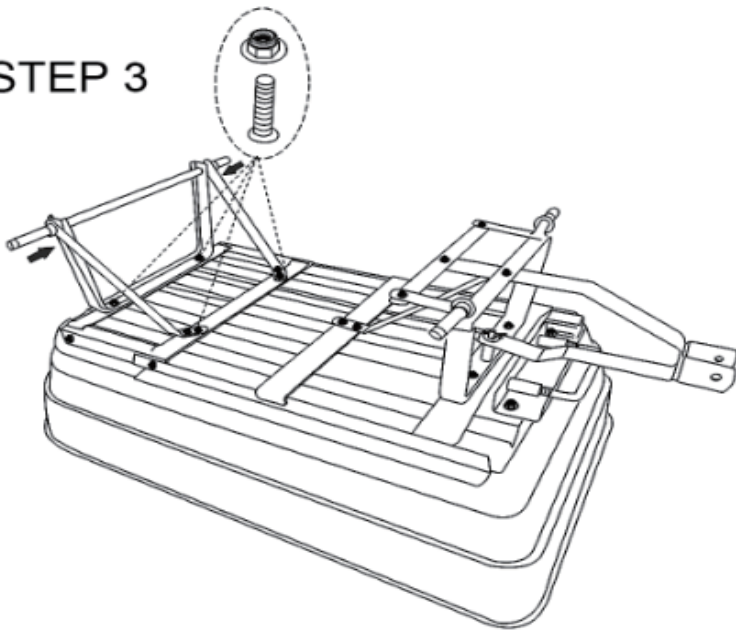
STEP 1



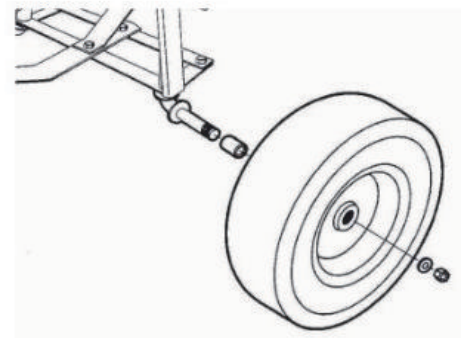
STEP 2



STEP 3



STEP 4



STEP 5

