



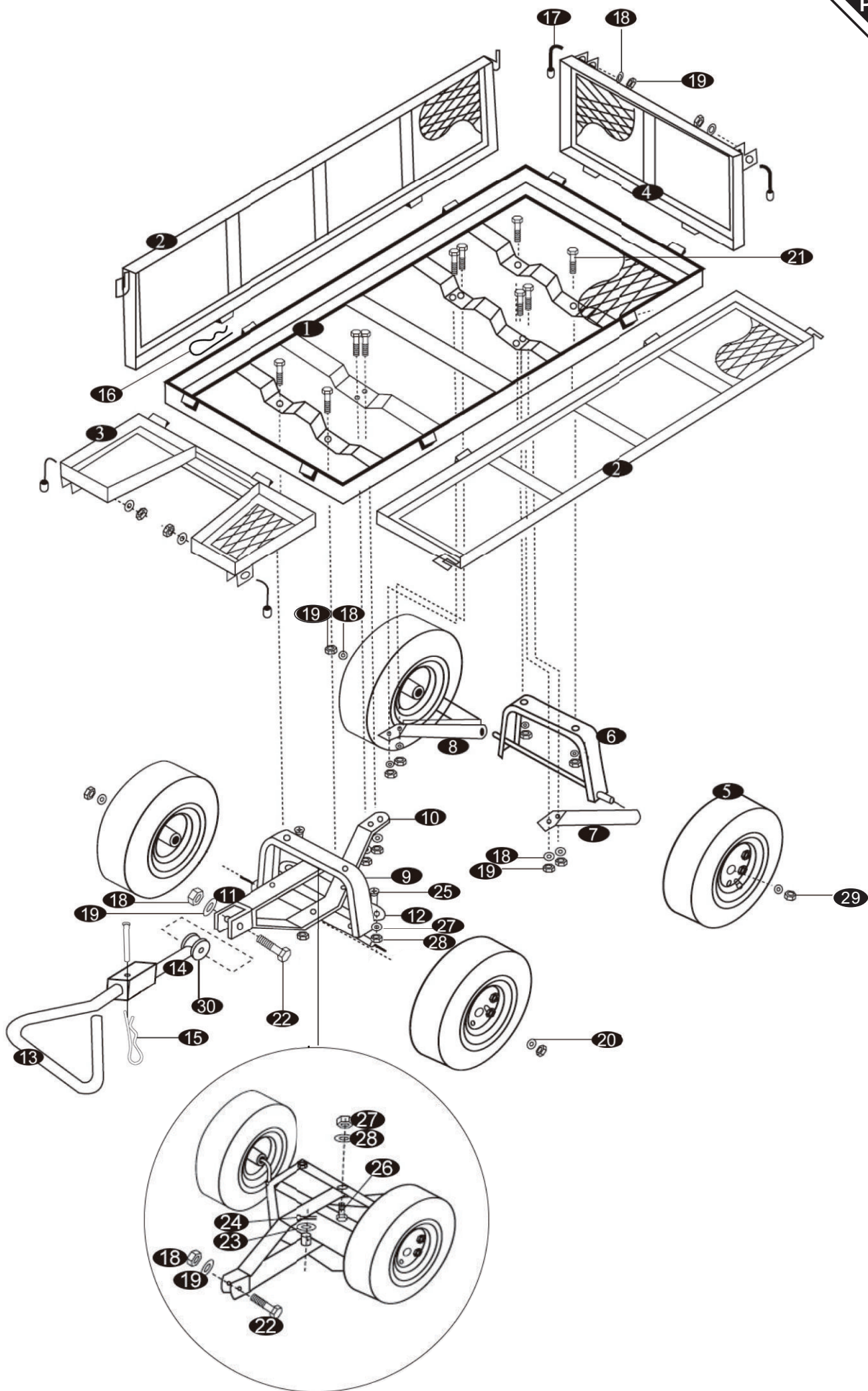
INbmd005V01_GL

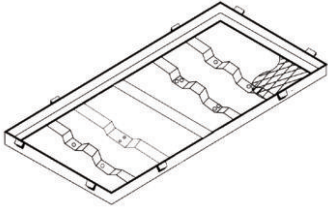
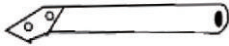
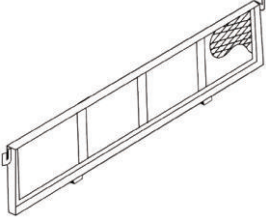
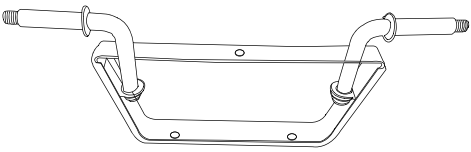
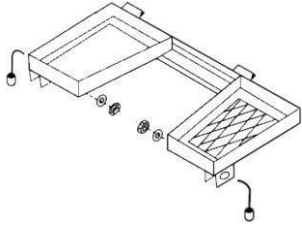

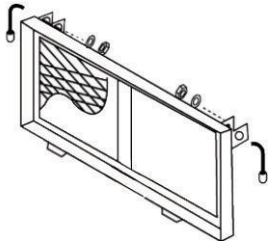
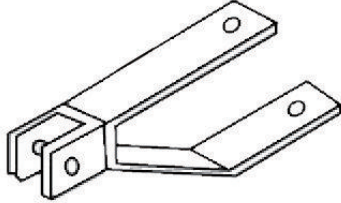

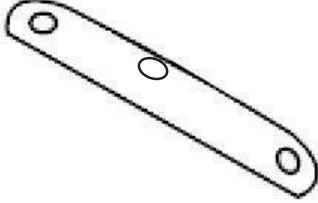
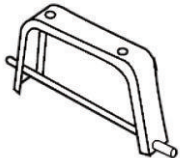
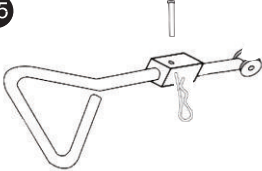

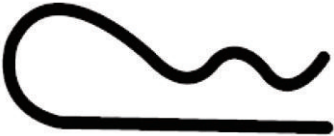
845-637


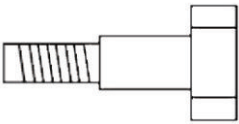
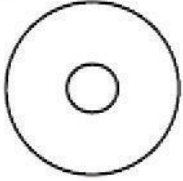
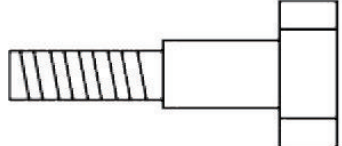
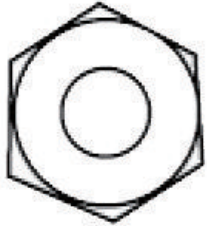
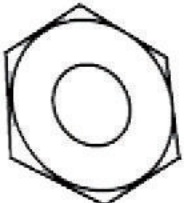
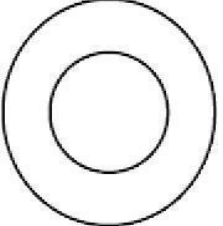
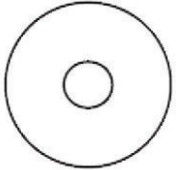
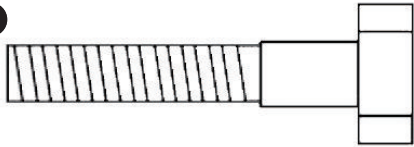
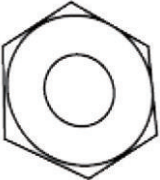
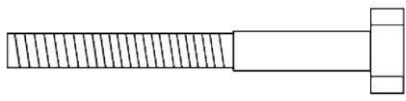
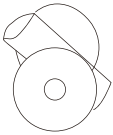

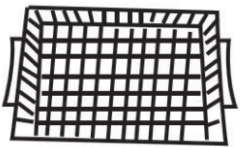



IMPORTANT, RETAIN FOR FUTURE REFERENCE: READ CAREFULLY

ASSEMBLY & INSTRUCTION MANUAL



	x1		x1
	x2		x1
	x1		x1
	x1		x1
	x4		x1
	x1		x1
	x1		x8

<p>17</p> 	<p>x4</p>	<p>25</p> 	<p>x3</p>
<p>18</p> 	<p>x15</p>	<p>26</p> 	<p>x1</p>
<p>19</p> 	<p>x15</p>	<p>27</p> 	<p>x4</p>
<p>20</p> 	<p>x4</p>	<p>28</p> 	<p>x4</p>
<p>21</p> 	<p>x10</p>	<p>29</p> 	<p>x4</p>
<p>22</p> 	<p>x1</p>	<p>30</p> 	<p>x1</p>
<p>23 24</p> 	<p>x1</p>	<p>31</p> 	<p>x1</p>
<p>32</p> 			<p>x1</p>

