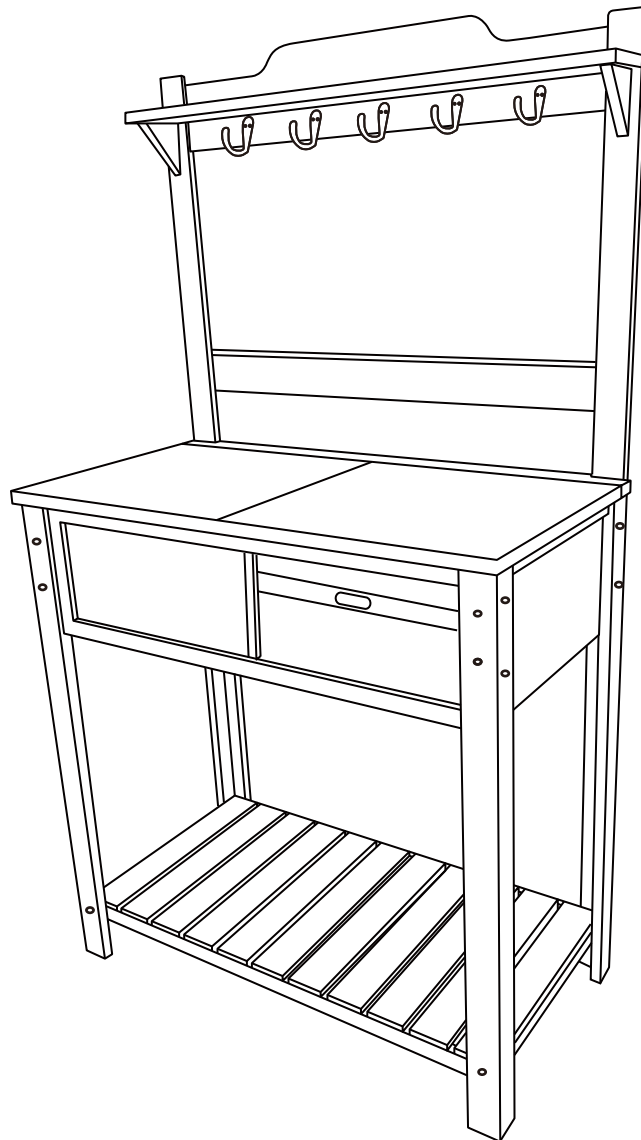




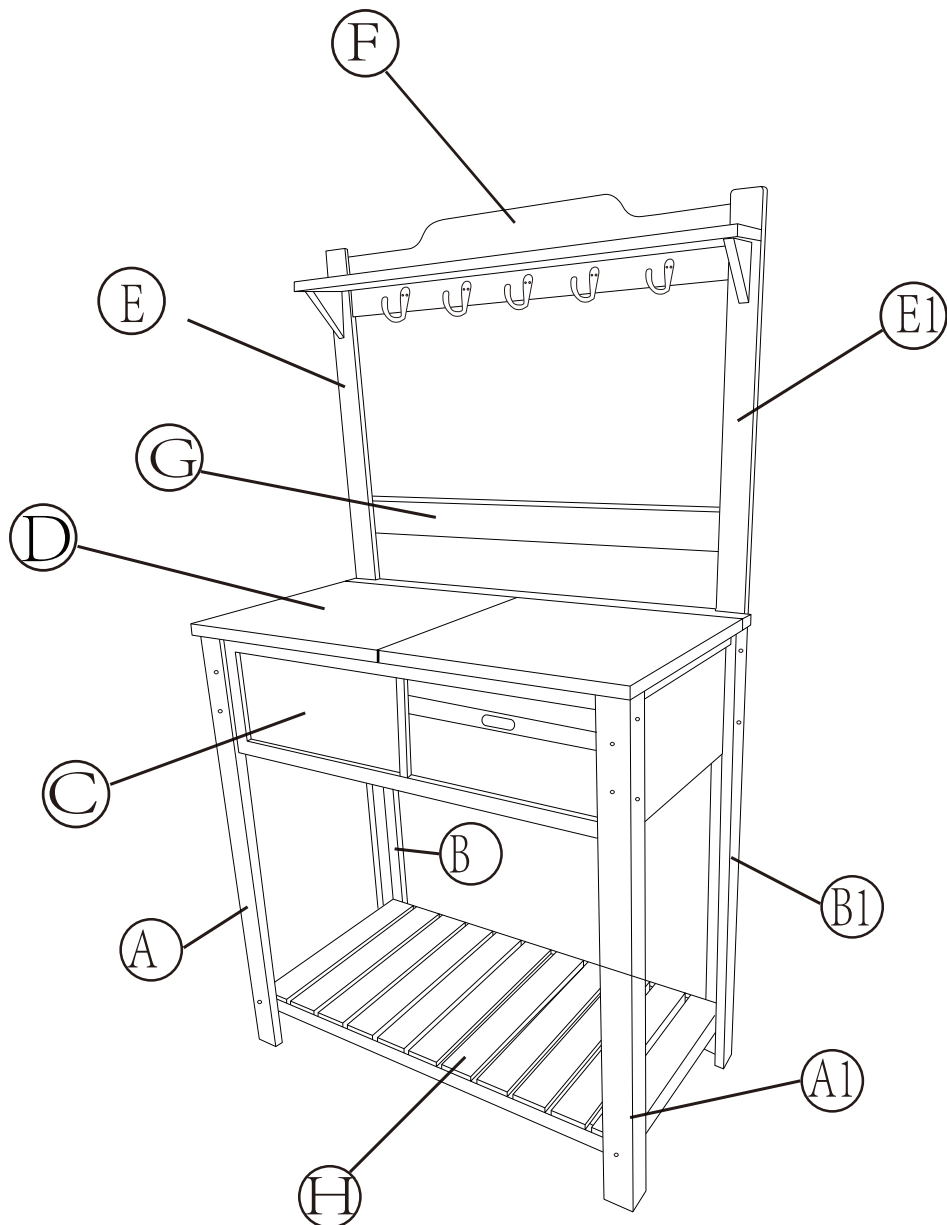
INbme003V02_GL

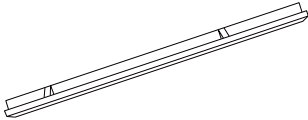
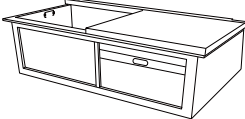

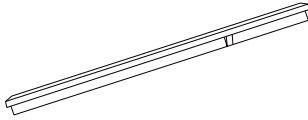
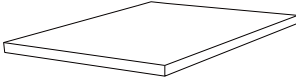
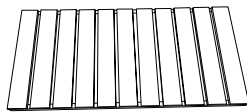
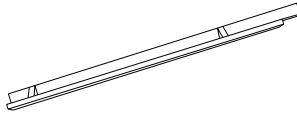
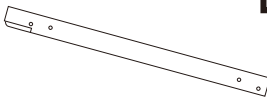

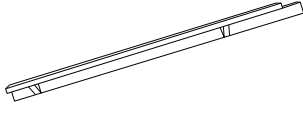
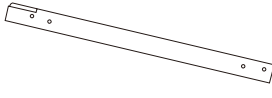
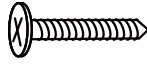
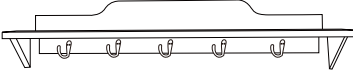

845-375



IMPORTANT, RETAIN FOR FUTURE REFERENCE: READ CAREFULLY

ASSEMBLY & INSTRUCTION MANUAL

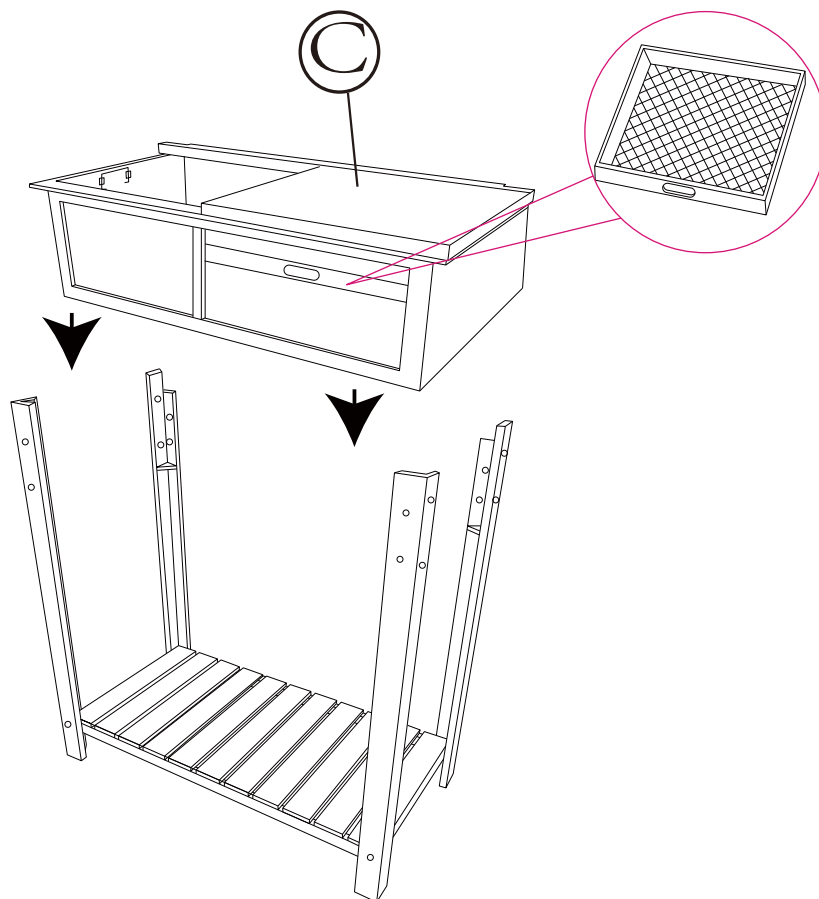
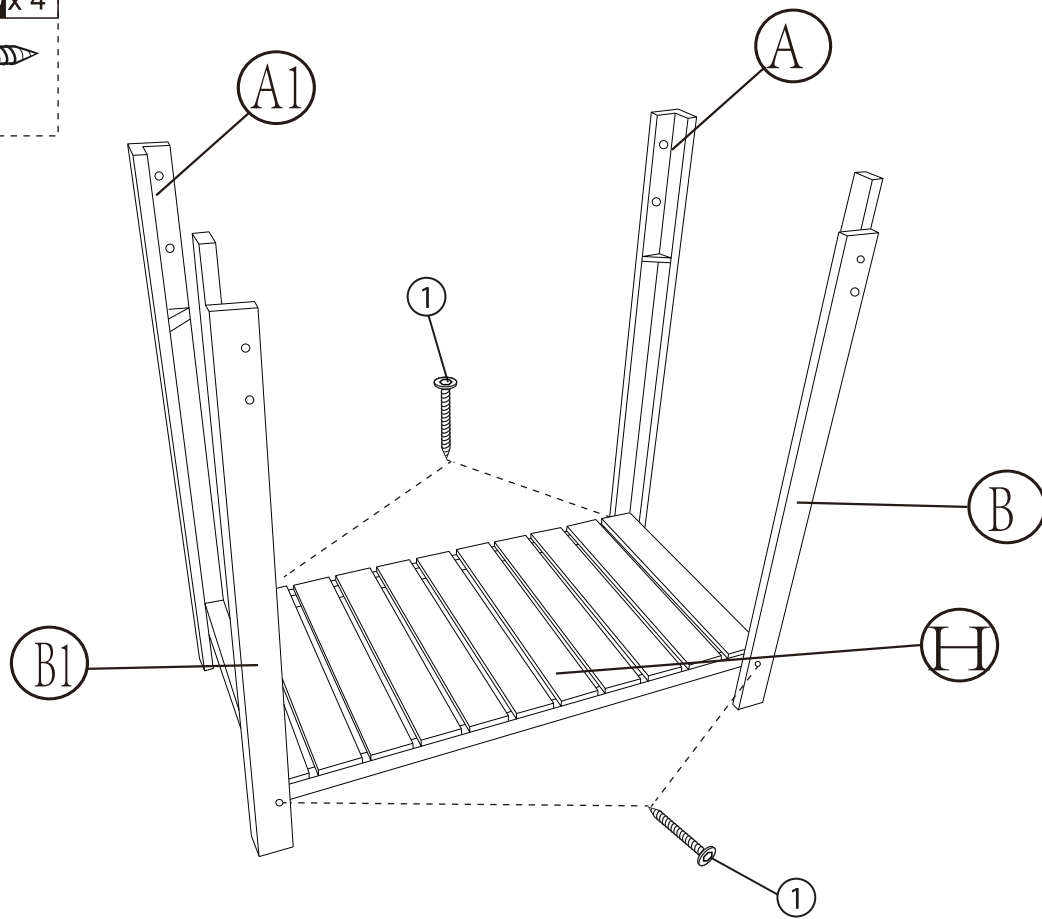


	A x 1		C x 1		G x 1
	A1 x 1		D x 1		H x 1
	B x 1		E x 1		① x 28 +1 (spare)
	B1 x 1		E1 x 1		② x 4
			F x 1		③ x 1

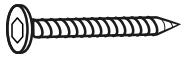
① x 4



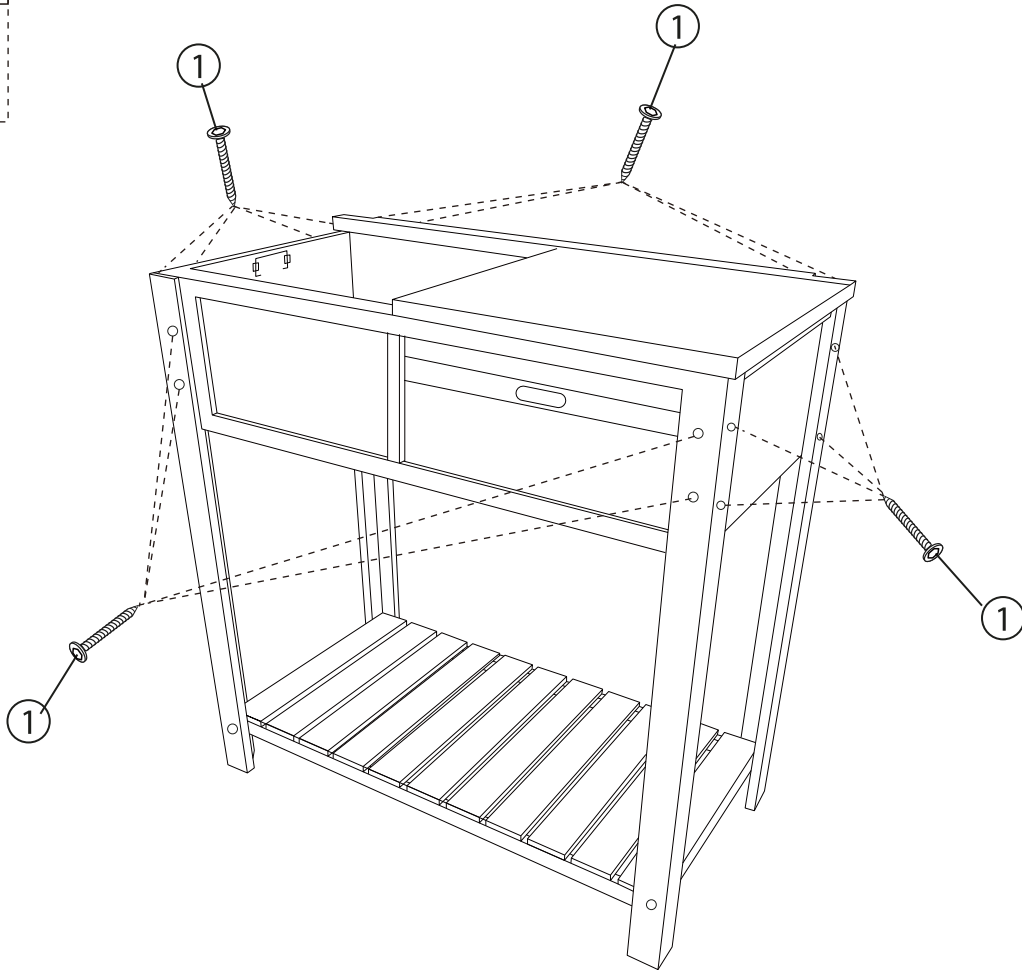
M6*40



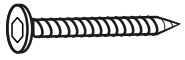
① x 16



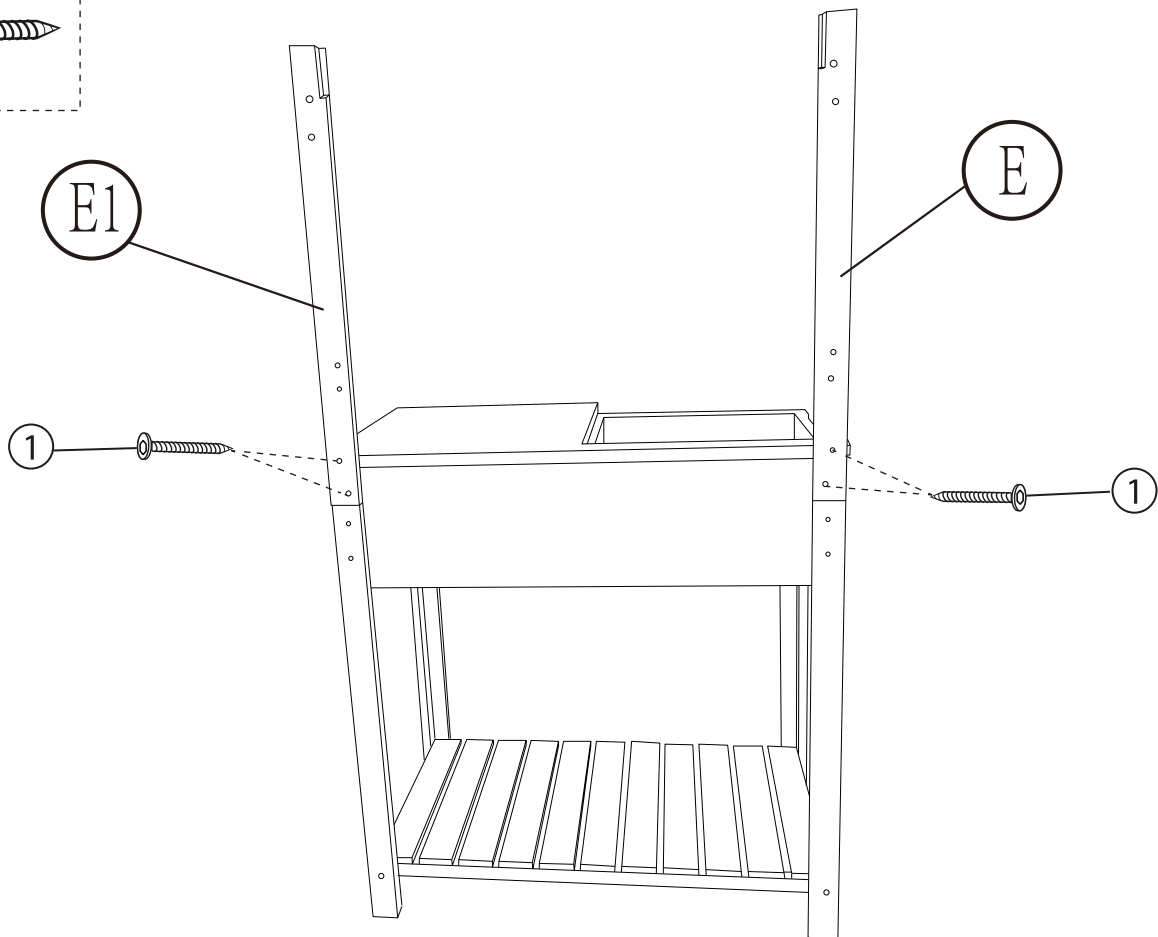
M6*40



① x 4



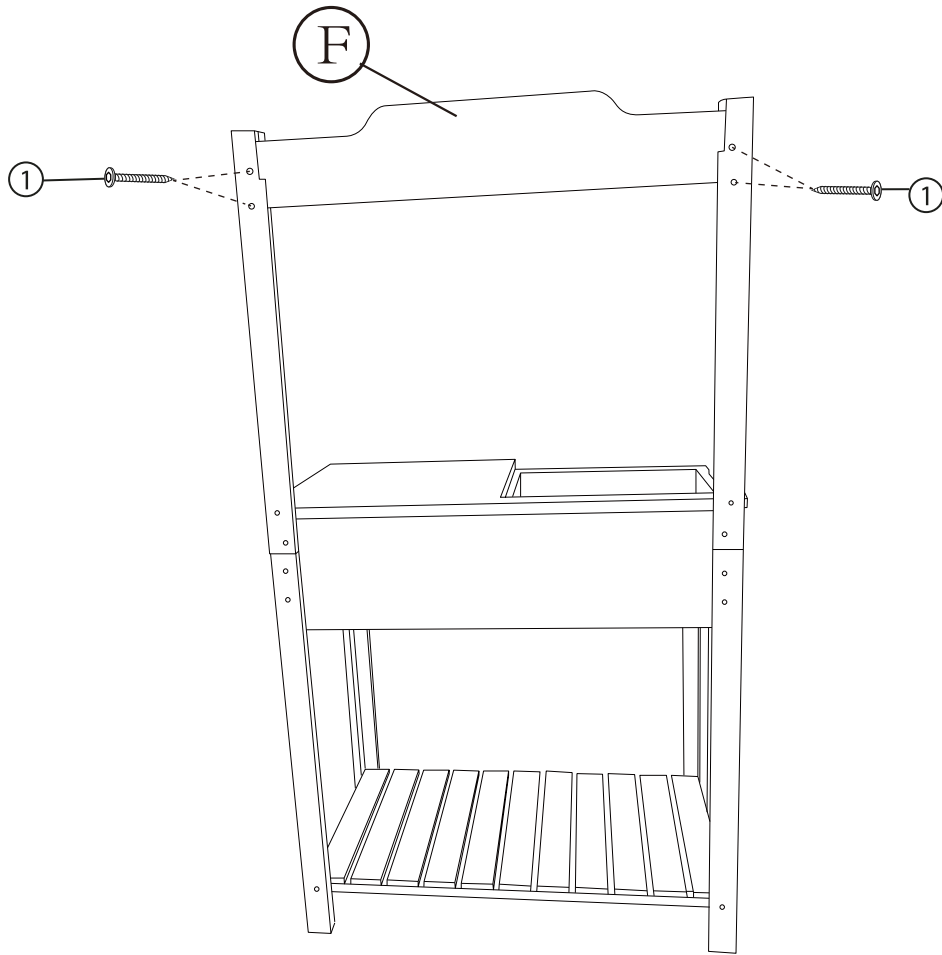
M6*40



① x 4



M6*40



② x 4



M4*20

