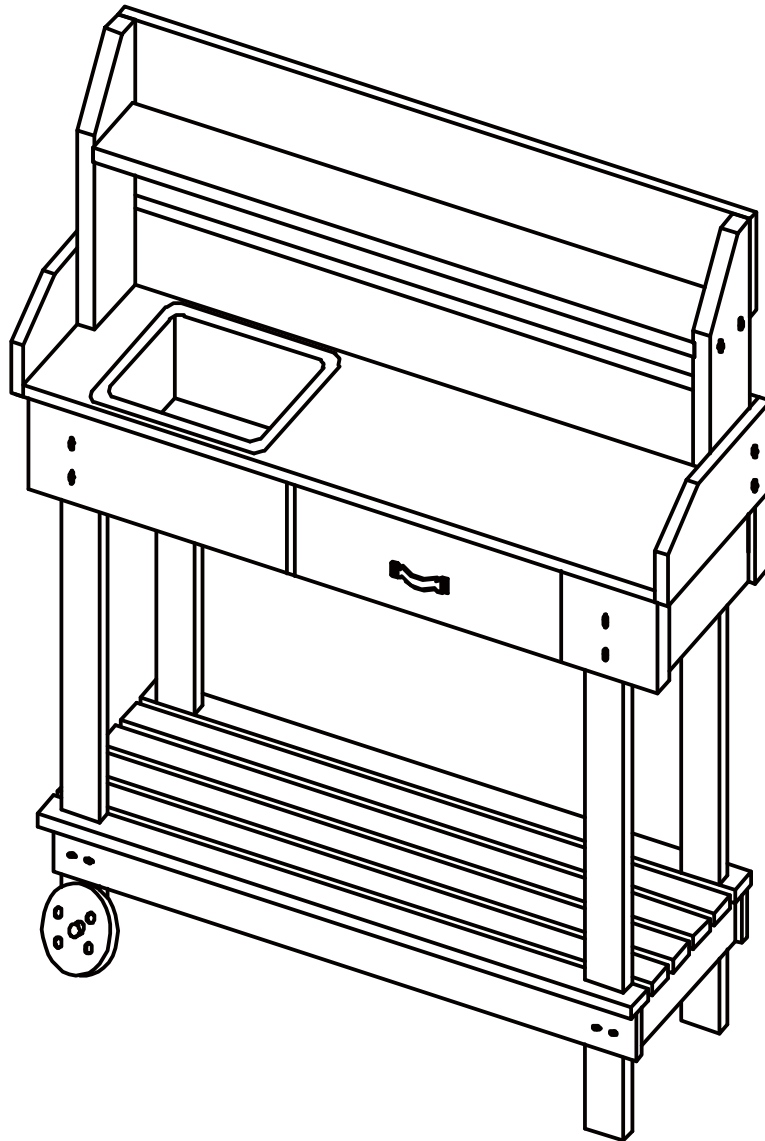




INbme005V01\_GL

**845-460**

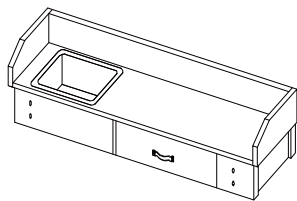


IMPORTANT, RETAIN FOR FUTURE REFERENCE: READ CAREFULLY

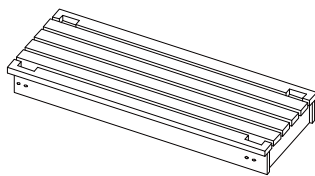
# ASSEMBLY & INSTRUCTION MANUAL

**PARTS**

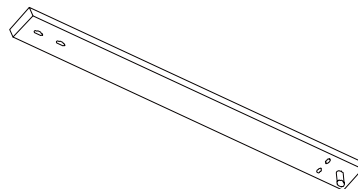
**1** x 1



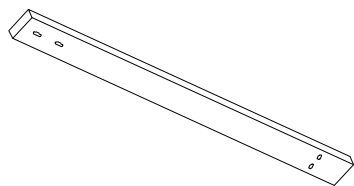
**2** x 1



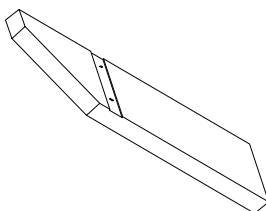
**3** x 2



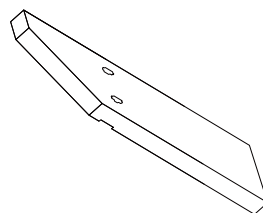
**4** x 2



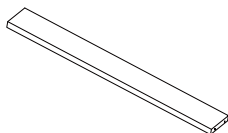
**5** x 1



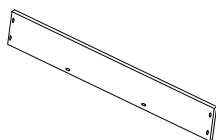
**6** x 1



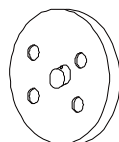
**7** x 1



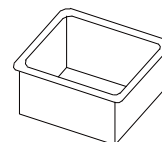
**8** x 1



**9** x 2



**10** x 1

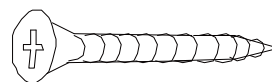


**HARDWARE**

**A** x 16  
+1 (spare)

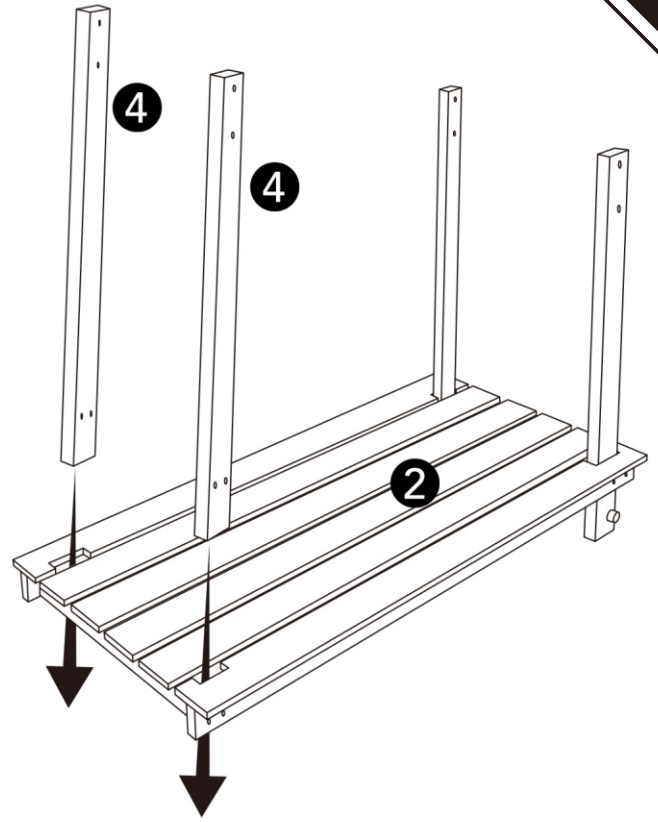
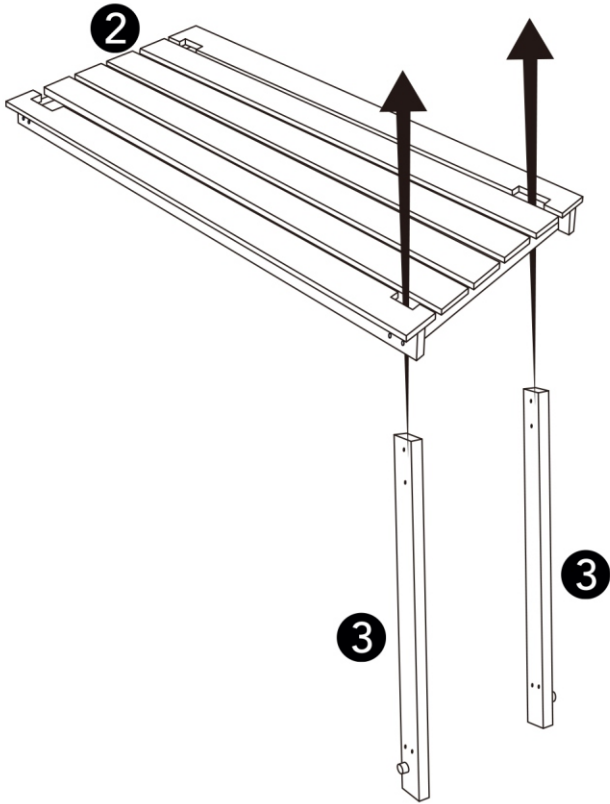


**B** x 14

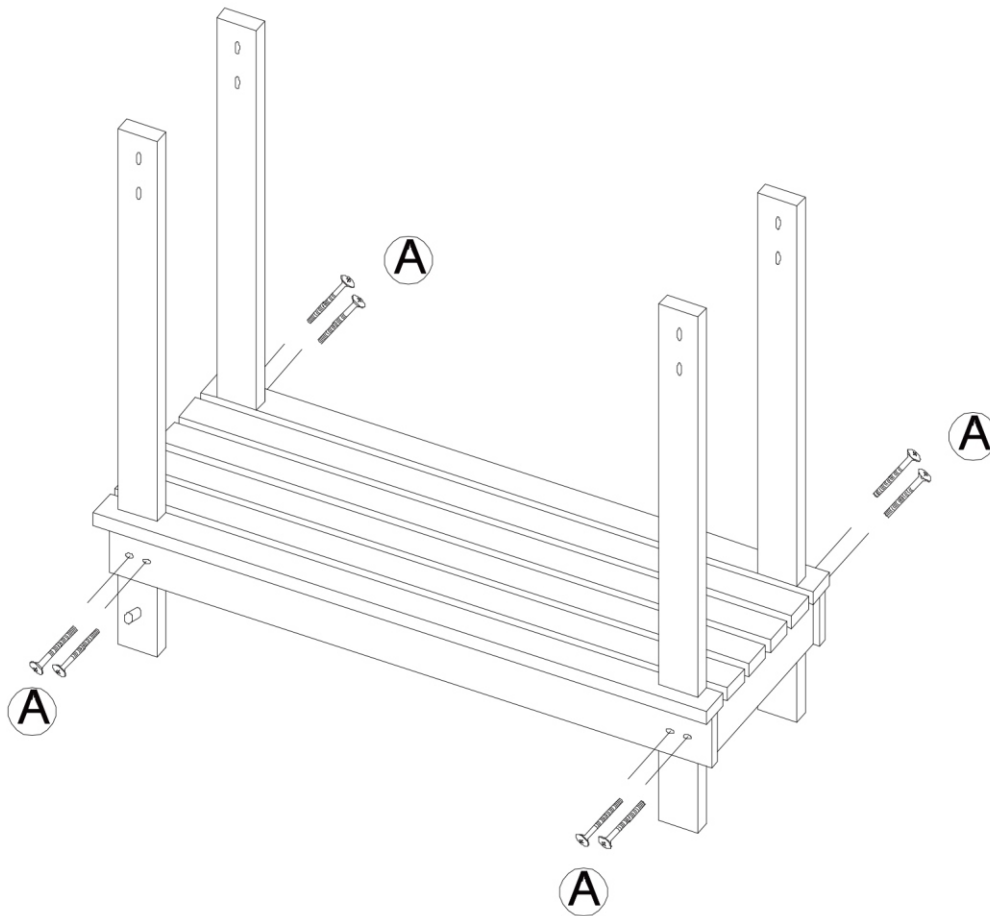


**D** x 2

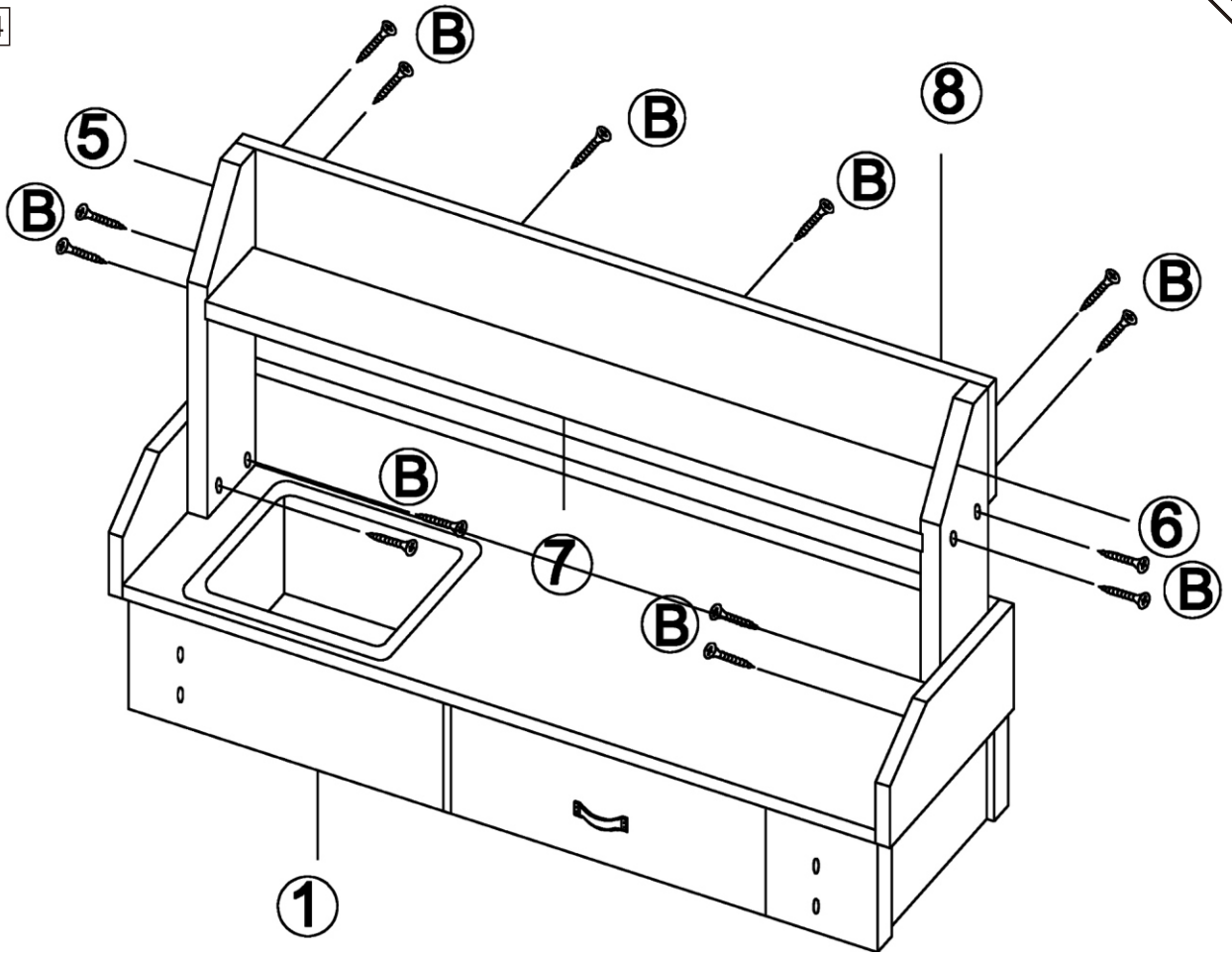




A x 8



B x 14



A x 8

D x 2

