



INbpc007V03_GL

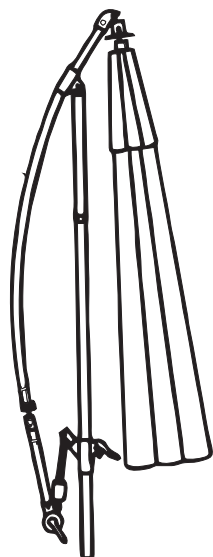
84D-037



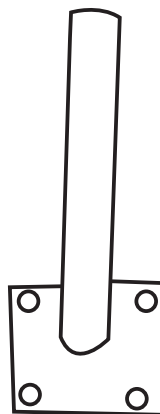
READ AND SAVE THIS INSTRUCTIONS FOR FUTURE USE

ASSEMBLY & INSTRUCTION MANUAL

A x 1

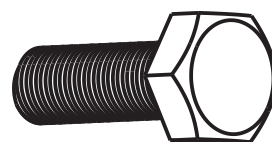
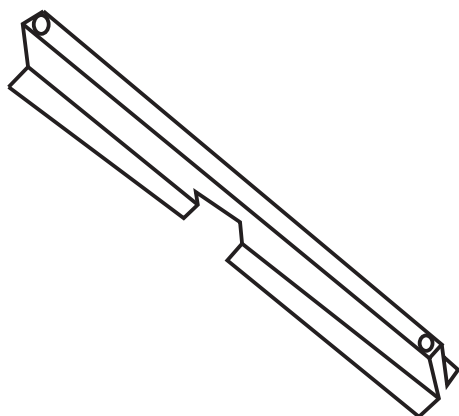


D x 1



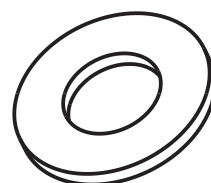
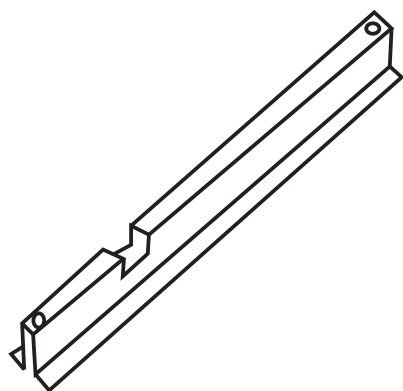
E x 4

B x 1

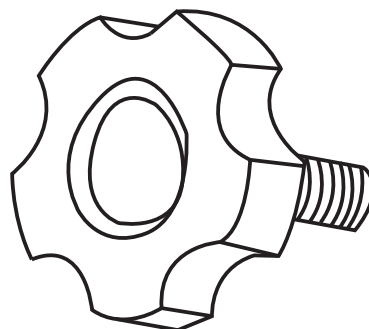


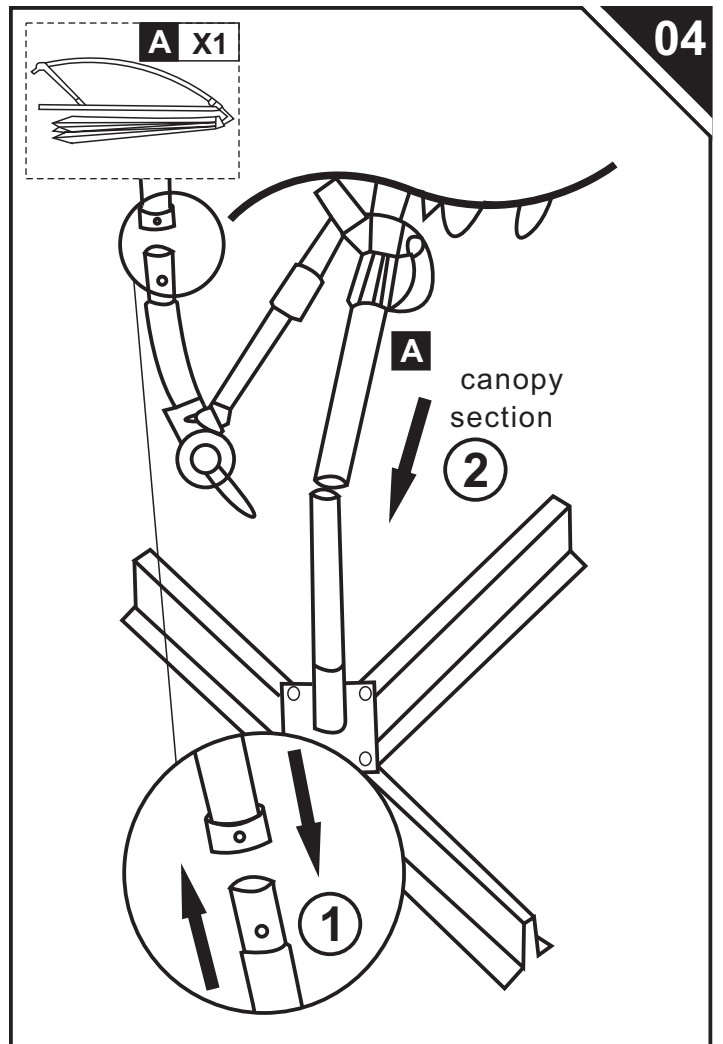
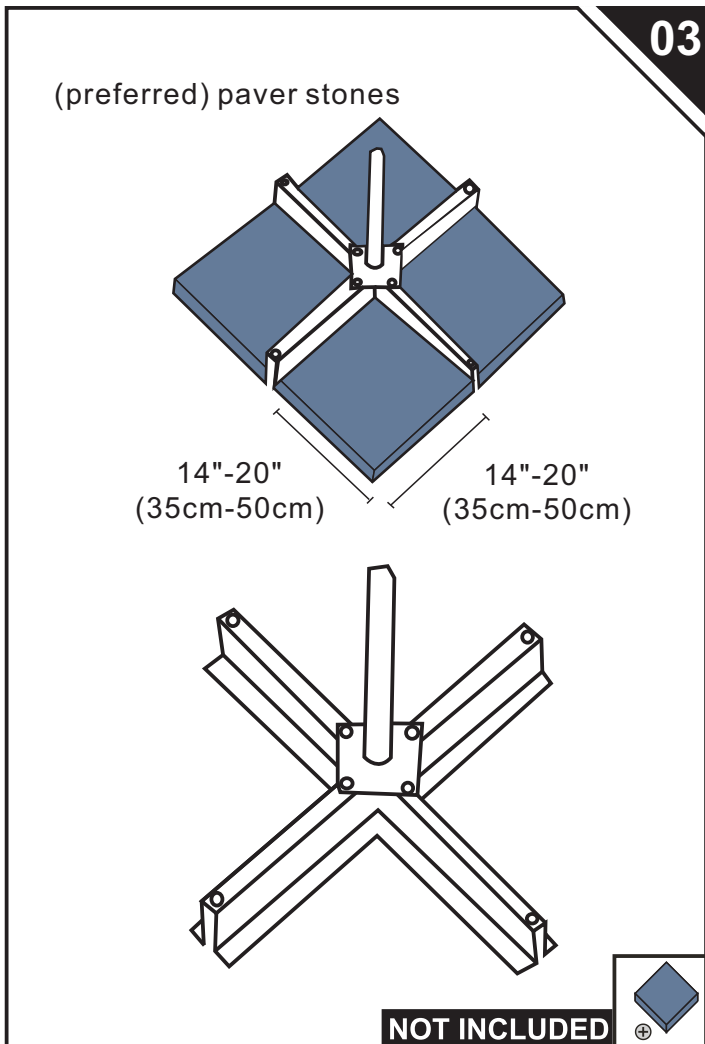
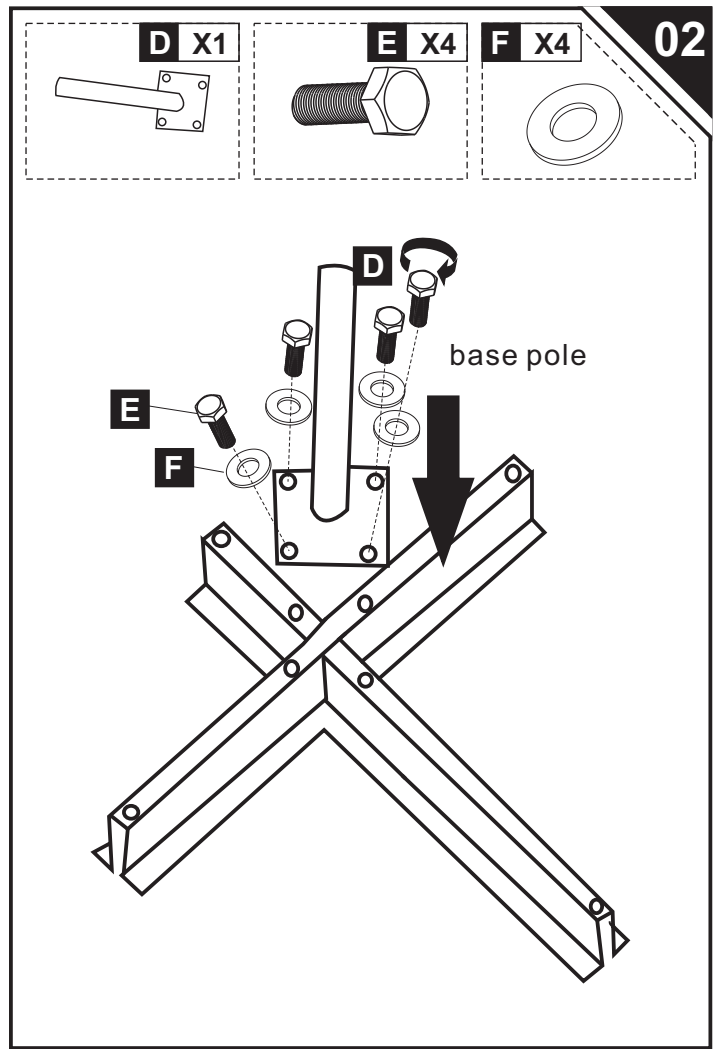
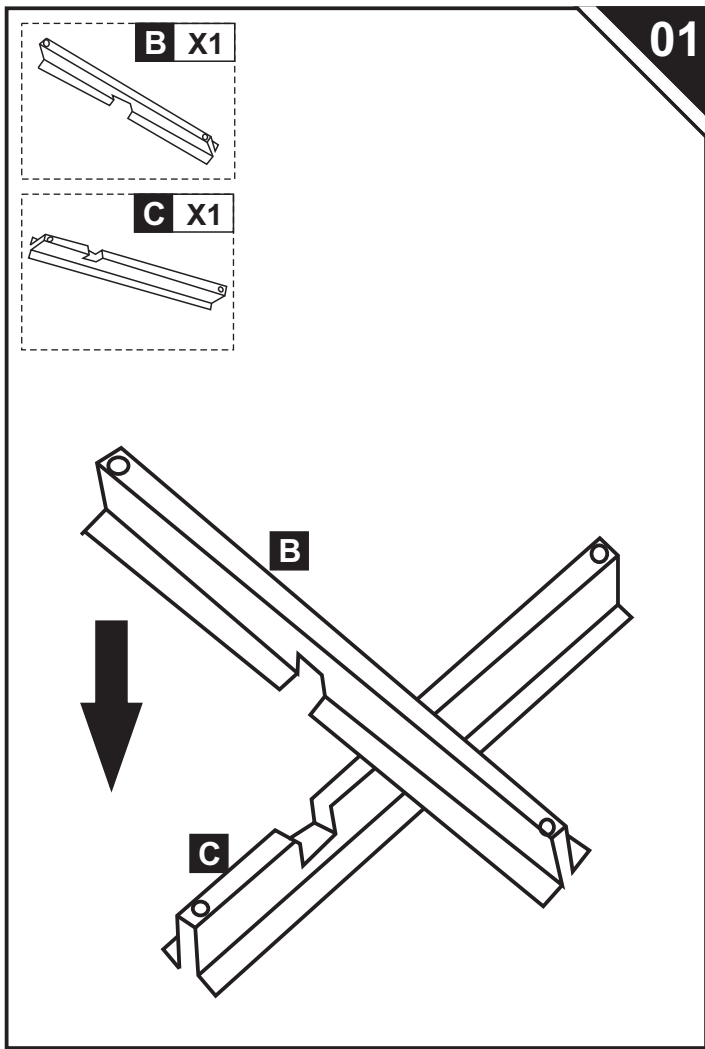
F x 4

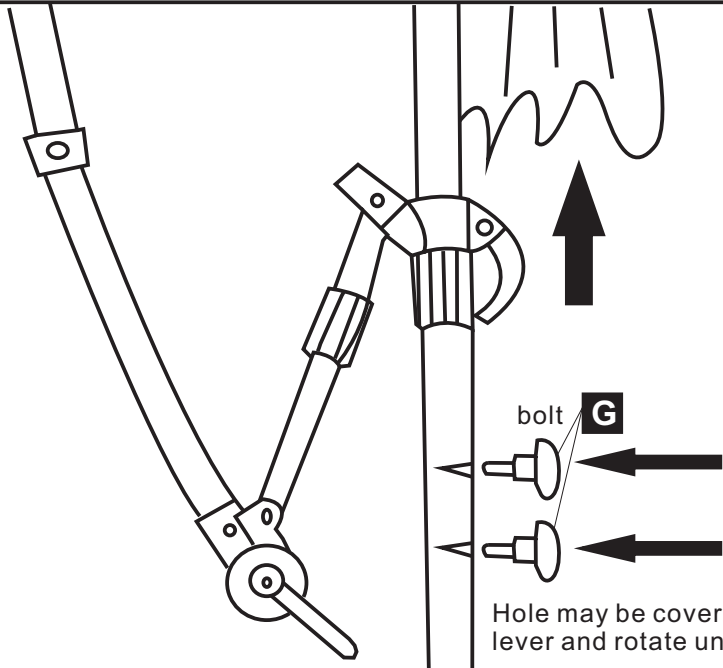
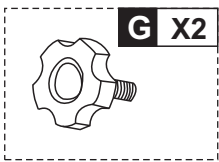
C x 1



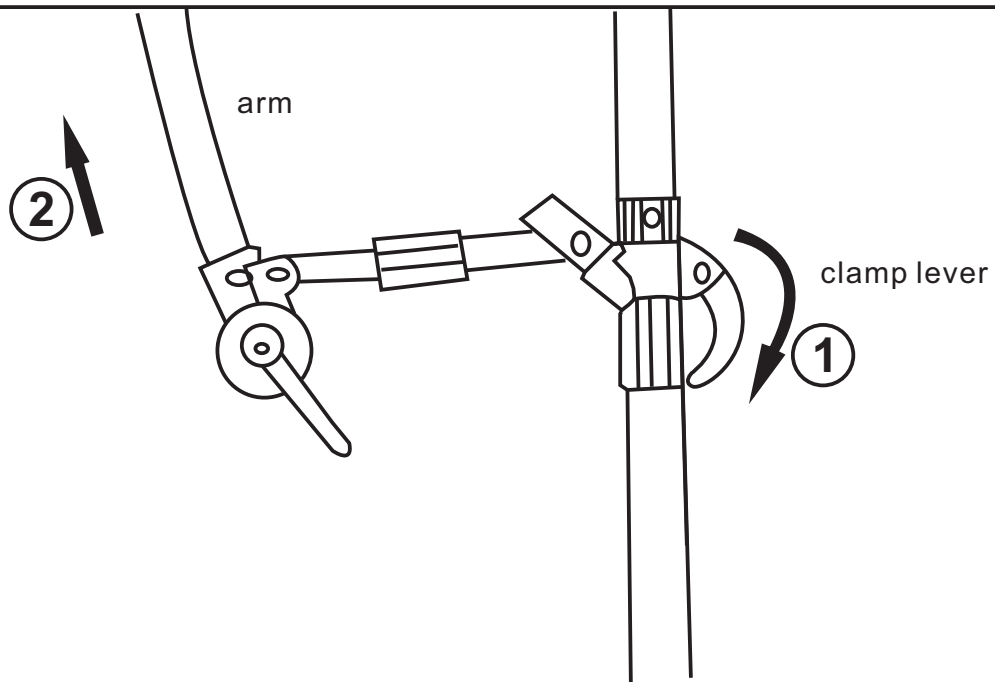
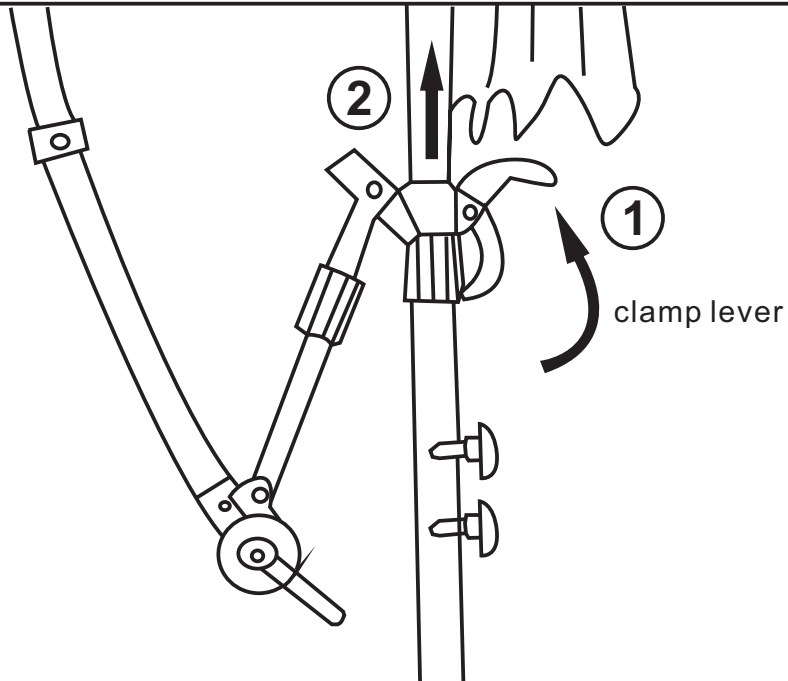
G x 2

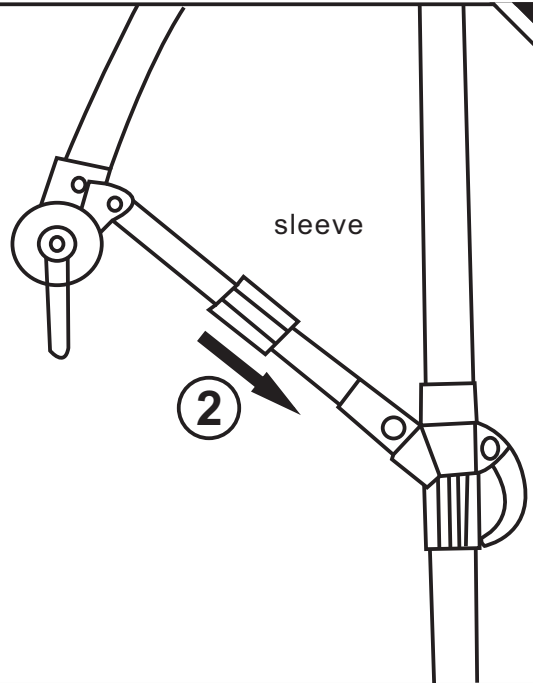
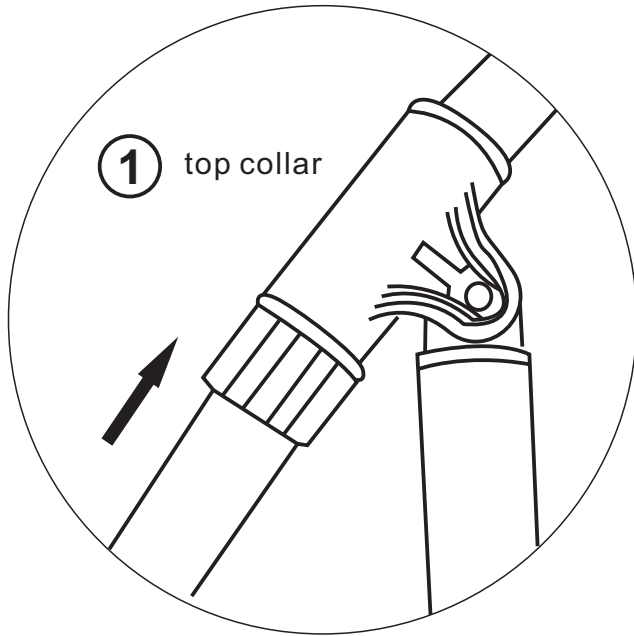






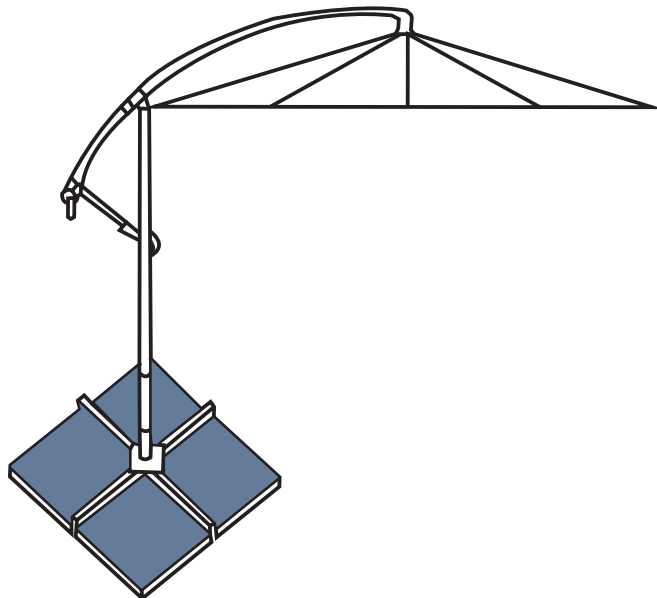
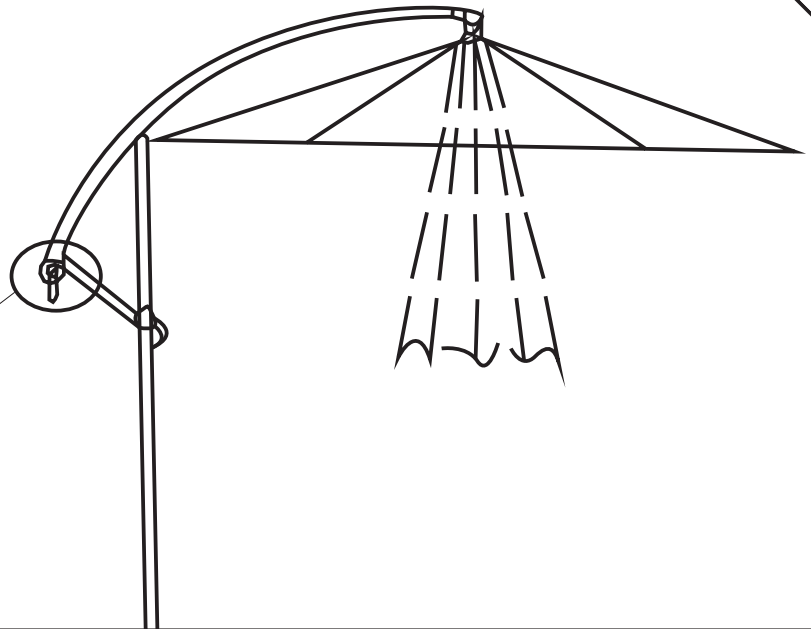
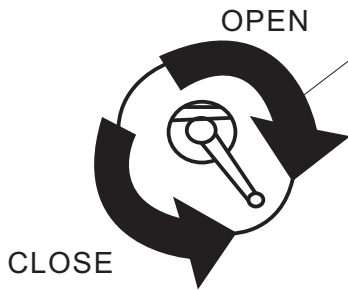
Hole may be covered, slide clamp lever and rotate until hole is visible.



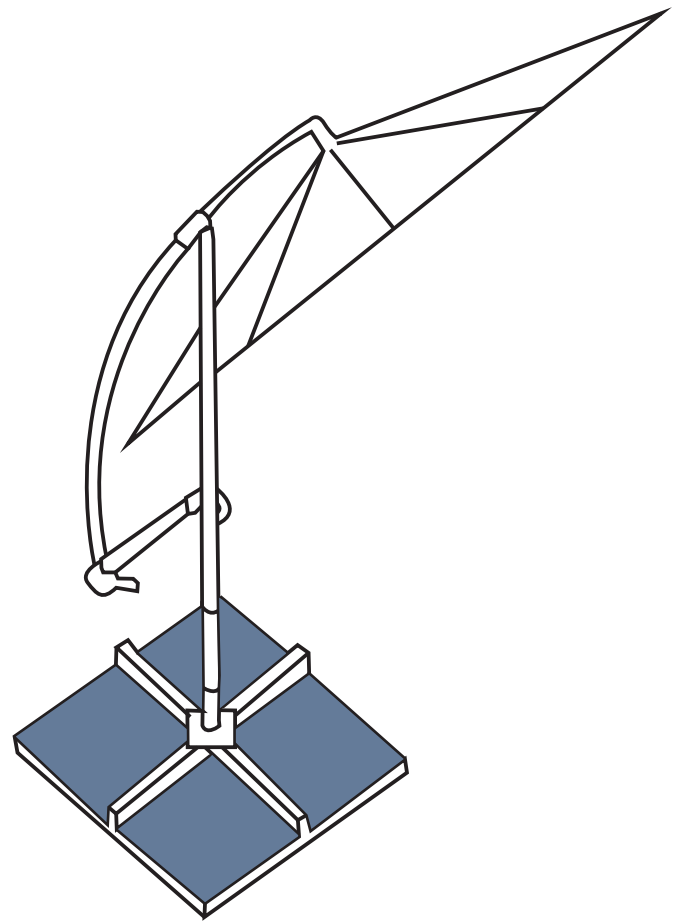
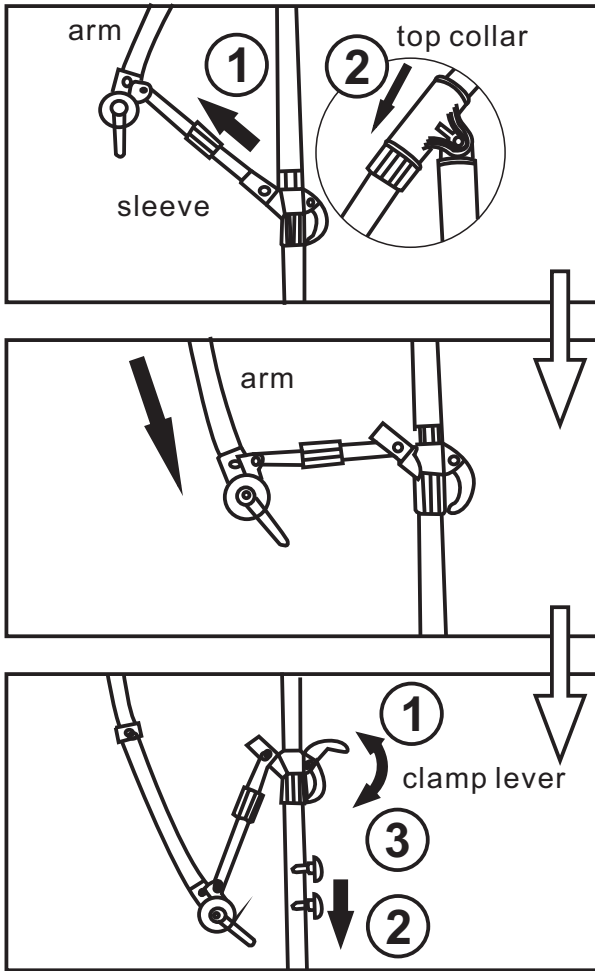


Open-clockwise

Close-counter clockwise



COMBINATIONS 1



COMBINATIONS 2

