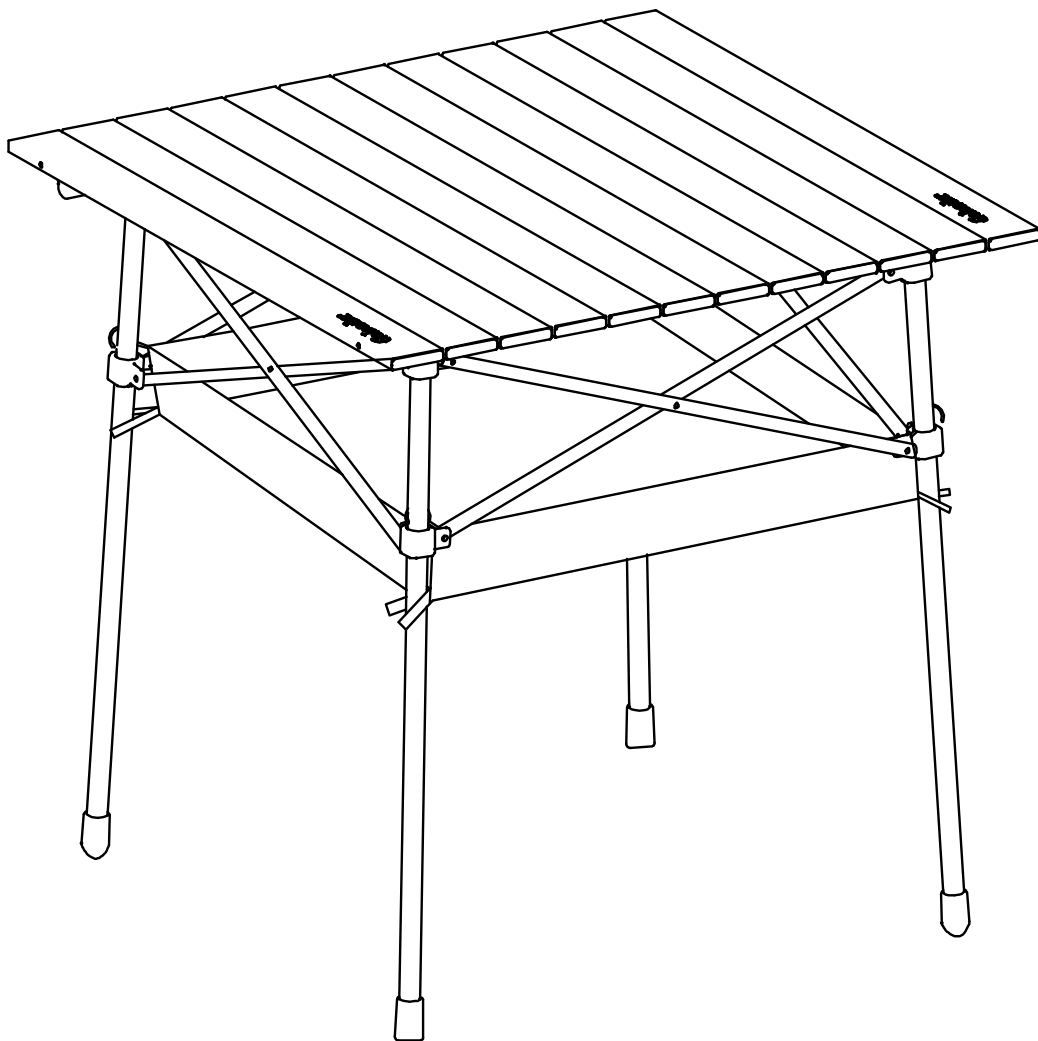




INbte013V01_GL

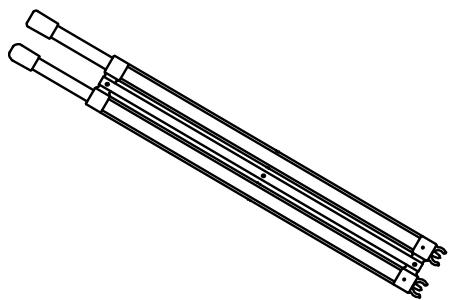
84B-567



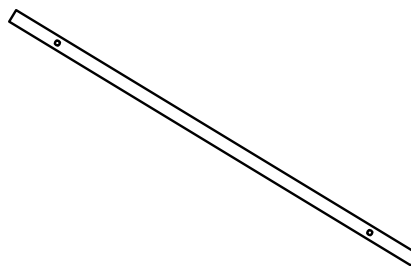
IMPORTANT, RETAIN FOR FUTURE REFERENCE: READ CAREFULLY

ASSEMBLY & INSTRUCTION MANUAL

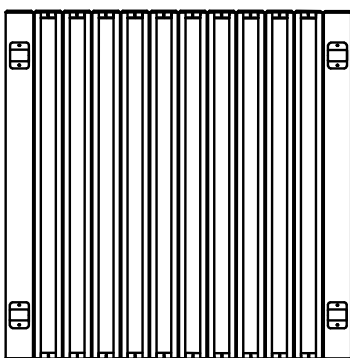
A x 1



B x 2



C x 1



D x 1

