



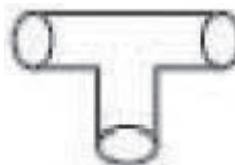
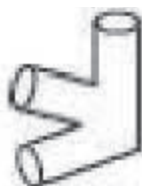
INbva025_GL

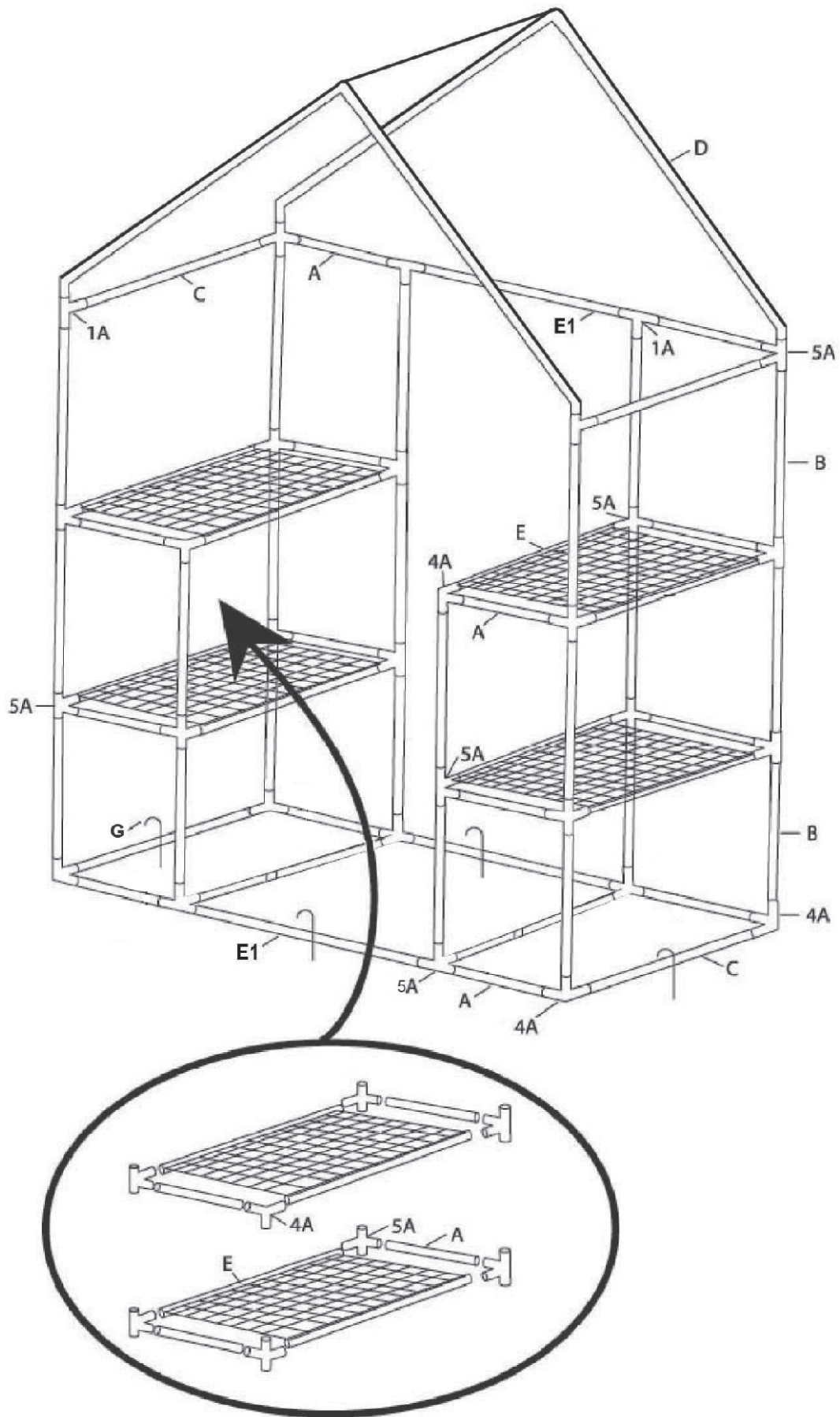
845-511



IMPORTANT, RETAIN FOR FUTURE REFERENCE: READ CAREFULLY

ASSEMBLY & INSTRUCTION MANUAL

A x14**B** x22**C** x15**D** x4**E** x4**E1** x3**F** x1**G** x4**H** x2**1A** x4**4A** x6**5A** x20**I** x4



⚠ CAUTION: Make sure the tubes are fully seated in the connectors before continuing.

