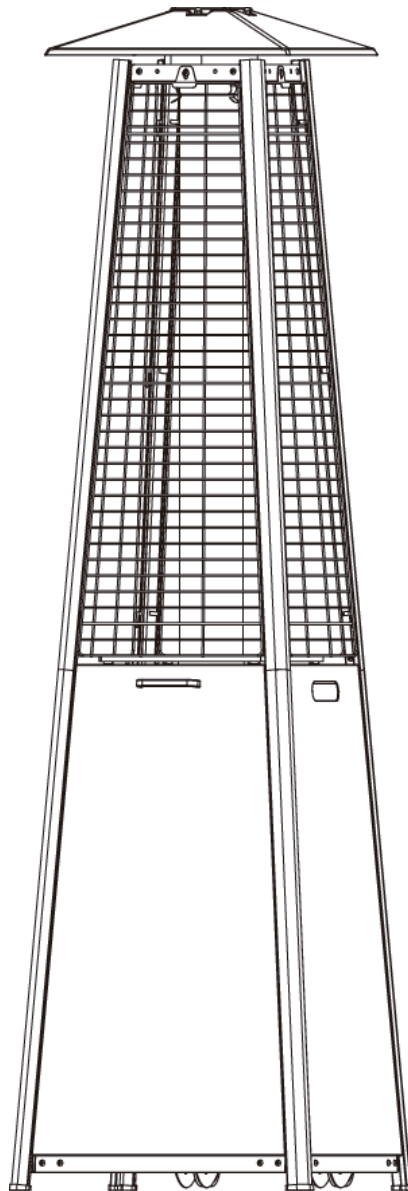




INbza013\_UK

**842-192\_842-193**

**REAL FLAME PATIO HEATER**



**WARNING: FOR OUTDOOR USE ONLY!**



**IMPORTANT, RETAIN FOR FUTURE REFERENCE: READ CAREFULLY**

**ASSEMBLY & INSTRUCTION MANUAL**

## **TABLE OF CONTENTS**

Patio Heater Safety Warnings -----	1-2
Part List & Hardware -----	2-3
Exploded View -----	4
Patio Heater Assembly -----	4-7
Leak Testing -----	10
Gas Requirement -----	10
Connecting To a Gas Cylinder -----	11
Operating Instructions -----	12
Important Safety Rules -----	11
Maintenance -----	12
Servicing -----	12
Storage -----	13
Troubleshooting -----	14
Technical Data -----	14
Guarantee -----	14
Discard -----	

### **PATIO HEATER SAFETY WARNINGS**

PLEASE READ THE INSTRUCTIONS CAREFULLY BEFORE INSTALLATION AND USE.

This appliance must be used outdoors or in a well ventilated area, and should not be installed or used indoors.

Change the gas cylinder in a well ventilated area, away from any inflammation sources.

The cylinder must be stored outdoors or in a well ventilated area.

Storage this appliance indoors is permissible only if gas cylinder is disconnected and removed from the appliance.

Do not move this appliance when in operation, or after it has been turned off before the temperature has cooled down.

Do not attempt to alter the appliance in any manner. Do not paint the radiant screen, control panel or reflector.

Do not obstruct the ventilation holes of the cylinder housing.

The appliance must be installed and gas cylinder stored in accordance with local gas fitting regulations.

Shut off the valve at the gas cylinder or the regulator before moving the appliance.

Repairs should be done by a qualified person.

In case of violent wind, particular attention must be taken against tilting of the appliance.

Check that the regulator seal is correctly fitted and able to fulfil its function.

Close the gas supply at the valve of the gas cylinder or the regulator after use.

Do not use this appliance until all connections have been leak tested.

In the event of gas leakage, the appliance shall not be used or if alight, the gas supply shall be shut off and the appliance shall be investigated and rectified before it is used again.

Checking the tubing or the flexible hose per month and each time the cylinder is changed.

The tubing or the flexible hose must be changed within the prescribed intervals or within one year.

The hose assembly must be replaced prior to the appliance being put into operation if there is evidence of excessive abrasion or wear, or if the hose is damaged, and that the replacement hose assembly shall be that specified by the manufacturer.

The heater should be inspected before use and at least annually by a qualified service person. More frequent cleaning may be required as necessary. It is imperative that control compartment, burners and circulating air passageways of the appliance be kept clean.

Shut off and check heater immediately if any of the following conditions exist:

The smell of gas in conjunction with extreme yellow tipping of the burner flames.

Heater does not reach a proper temperature. A temperature less than 5 will cause restricted heat flow and the appliance will not work properly.

The appliance starts making popping noises during use (a slight popping noise is normal when the appliance is extinguished).

The regulator & hose assembly must be located out of pathways where people may trip over it or in area where the hose will not be subject to accidental damage.

Any guard or other protective device removed for servicing the heater must be replaced before operating the heater.

Children and adults should be warned of the hazards of high surface temperatures and should stay away to avoid burns or clothing ignition.

Young children and pets should be carefully supervised when they are in the area of the heater.

Clothing or other flammable materials should not be hung from the appliance, or placed on or near the appliance.

Do not place articles on or against this appliance. Certain material or items when stored under or near this appliance will be subjected to radiant heat and could be seriously damaged.


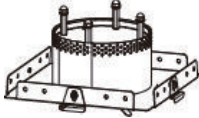


Do not use or store flammable materials near this appliance.





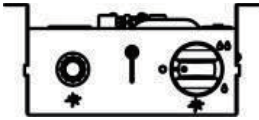
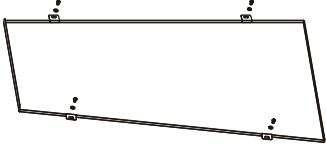

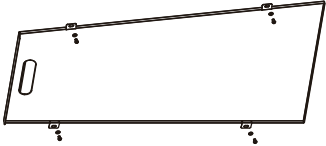

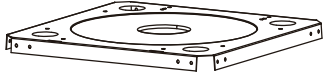
Do not spray aerosols in the vicinity of this appliance while it is in operation.

Always maintain at least 0.9m clearance from combustible materials.




Always position the appliance on a firm level surface. An amply ventilated area must have a minimum of 25% of the surface area open. The surface area is the sum of the walls surface.

## PATIO HEATER PART LIST

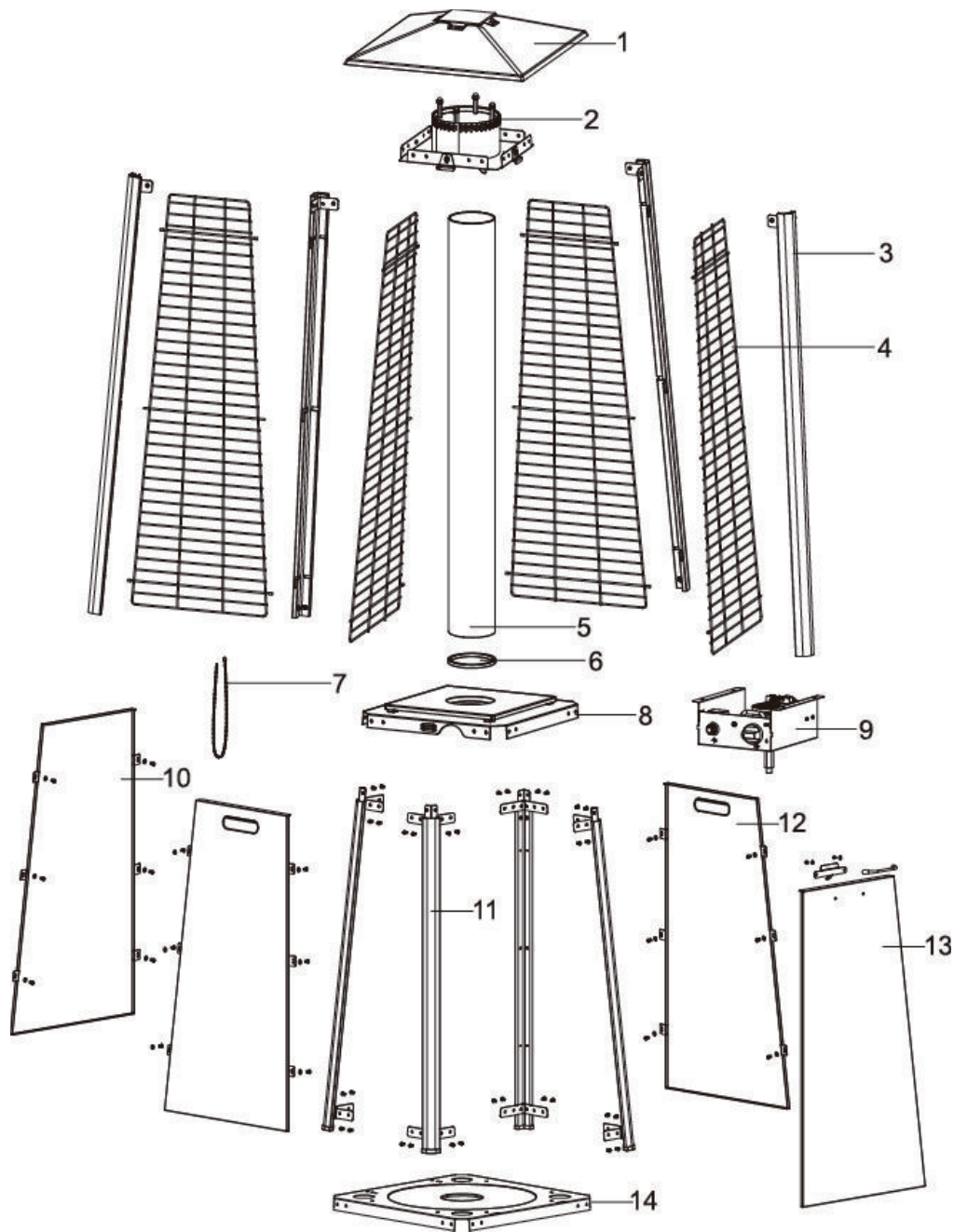
PART #	PART NAME	PICTURE	QTY
1	REFLECTOR		1
2	FLAME SCREEN		1
3	SUPPORT BAR - UPPER		4
4	MESH GUARD		4

5	GLASS TUBE		1
6	RUBBER RING		1
7	CHAIN (ASSEMBLED WITH DOOR)	 MODEL H1507 DOESN'T INCLUDE THIS PART	1
8	PLATE COVER		1
9	BURNER ASSEMBLY		
10	REAR PAENL OF TANK HOUSING		1
11	SUPPORT BAR -LOWER		4
12	SIDE PANEL OF TANK HOUSING		2
13	DOOR OF TANK HOUSING		1
14	BOTTOM PLATE		1

## HARDWARE

PART #	PART NAME	PICTURE	QTY	DESCRIPTION
AA	M5 CAP NUT		4	TO CONNECT REFLECTOR AND FLAME SCREEN
BB	M5 CREWS & WASHER		44	M5 X 8 SCREW & M5 WASHER
CC	M5 F TAPPING SCREWS & WASHER		18	ST4.2X9.5 SELF TAPPING SCREWS & M5 WASHER

## EXPLODED VIEW



## PATIO HEATER ASSEMBLY

### ASSEMBLY INSTRUCTIONS

List of Required Tools: Philip Screwdriver

Leak Detection Solution: one part detergent and three parts water

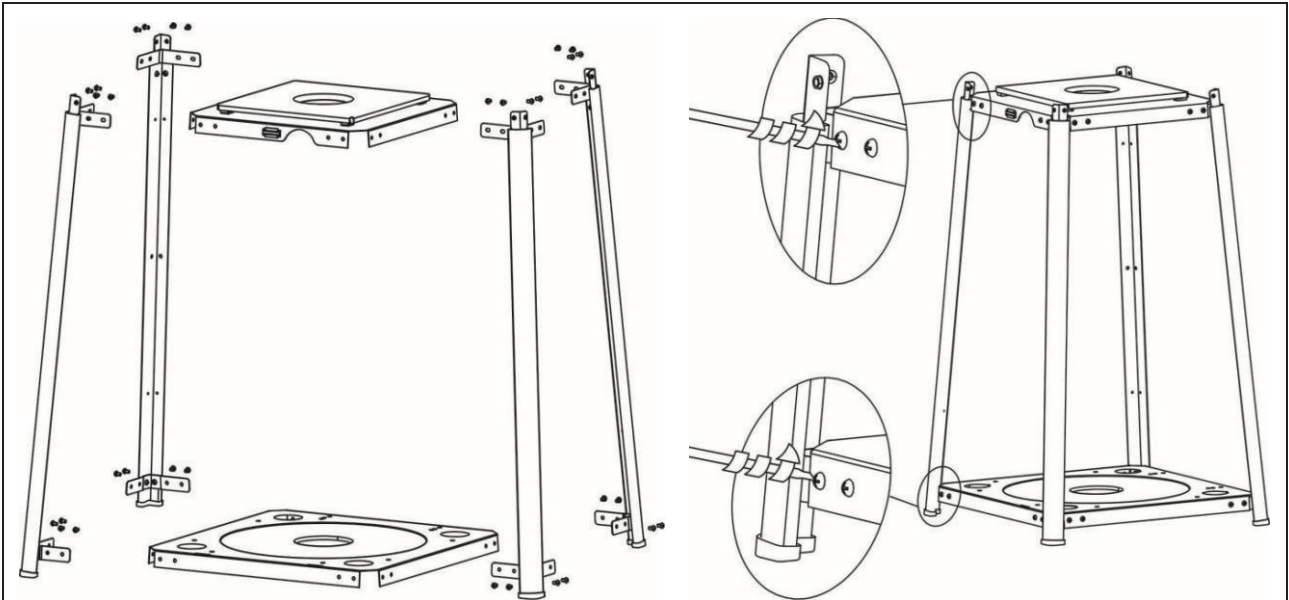
**Assemble all nuts and bolts loosely at first. Tighten all connections after completion of assembly. This eases your work and increase the stability of the appliance.**

Before assembly, make sure all packing material and any transit protection must be removed.

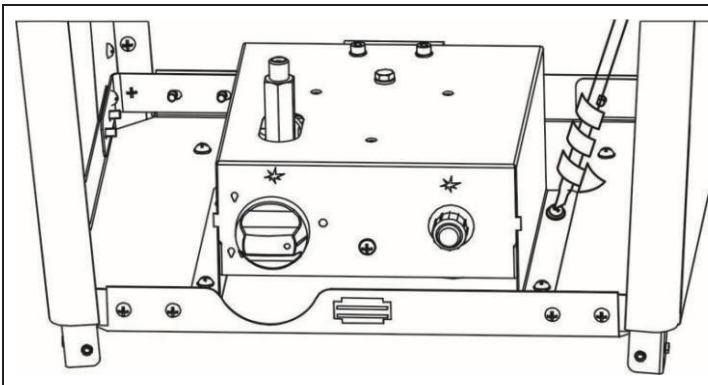
Small deviations in equipment may occur. This is no lack of quality but subject to improvements.

If any part is missing or damaged, do not attempt to assemble this product, Contact customer service for replacement parts.

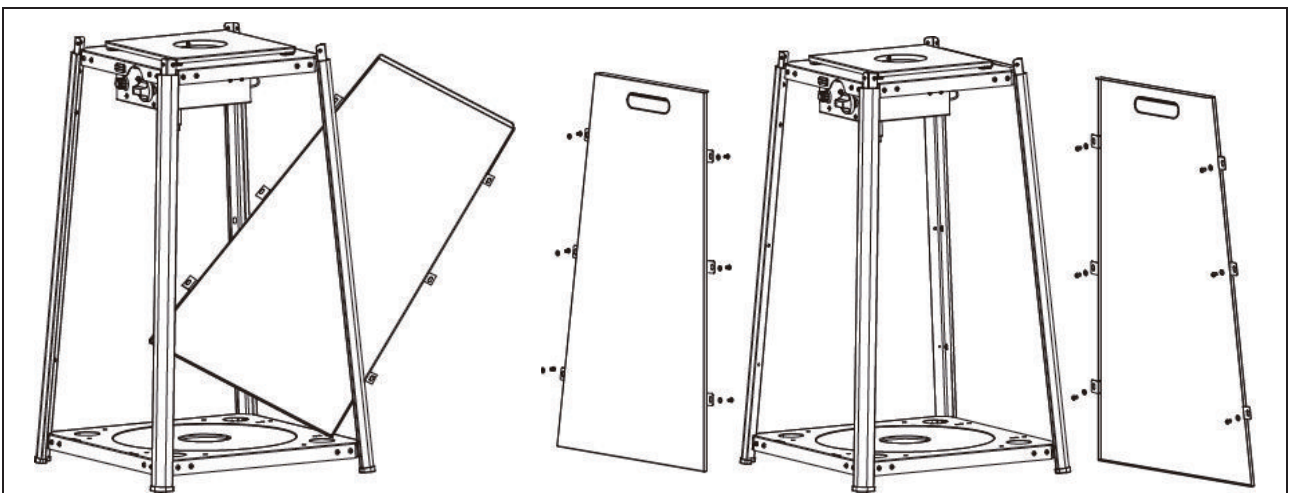
Assembly should be performed on a flat, level, non-abrasive surface.



**STEP 1:** Connect and fix the 4 Support Bar –Lower (1) to Bottom Plate (14) and Plate Cover (8) by 32PCS M5 screws and washers(BB)

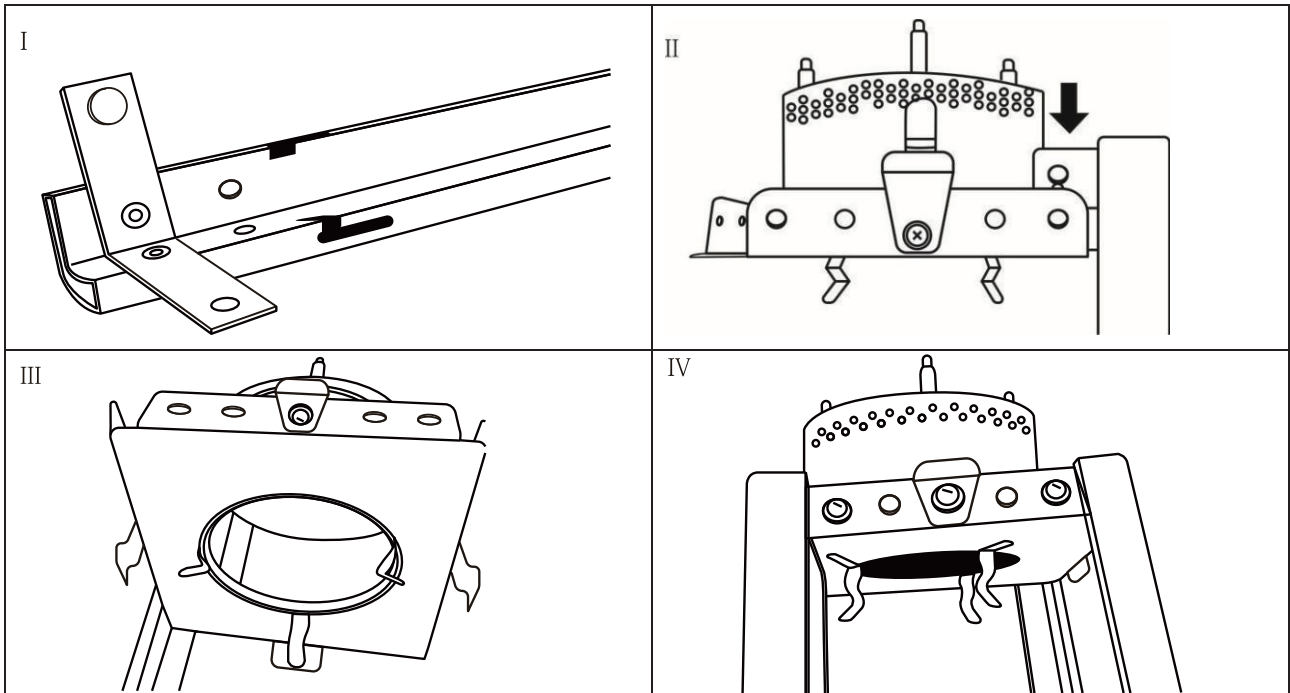


**STEP 2:** Lay down tank housing, fix the Burner Assembly (9) to Pate Cover (8) by 4pcs M5 Screws and Washers (BB).

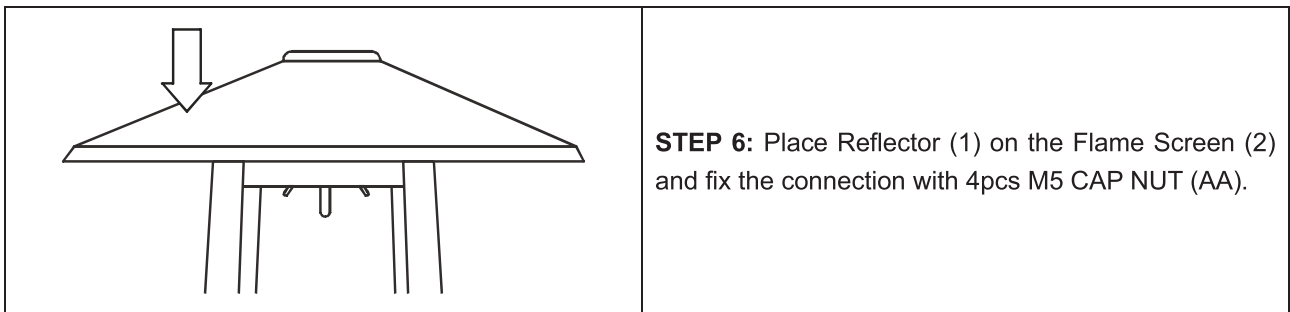


**STEP 3:** Obliquely insert and attach 2pcs Side Panels (12) and 1pc Rear Panel (10) into tank housing using 18pcs M5 self-tapping screws and washers (CC). Best affix two opposite sides first, fastening the screws diagonally.

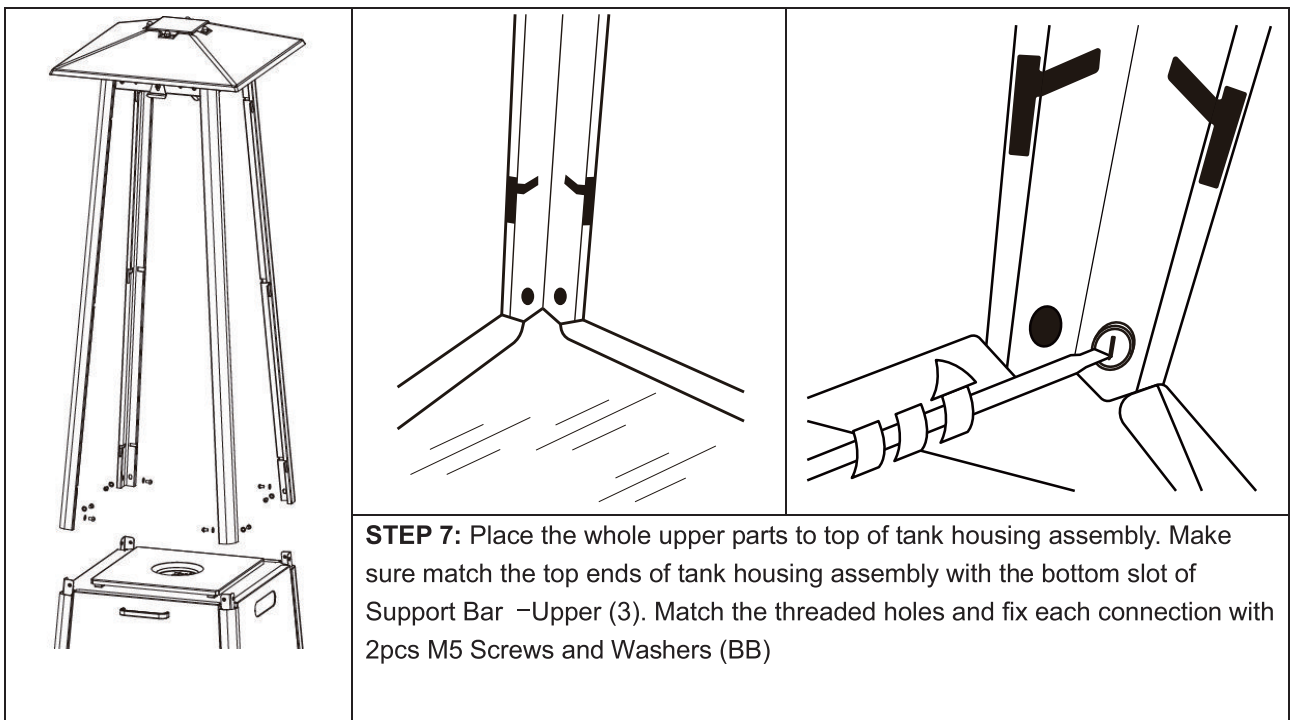
**Note:** Do not close the door where is near to the control knob!



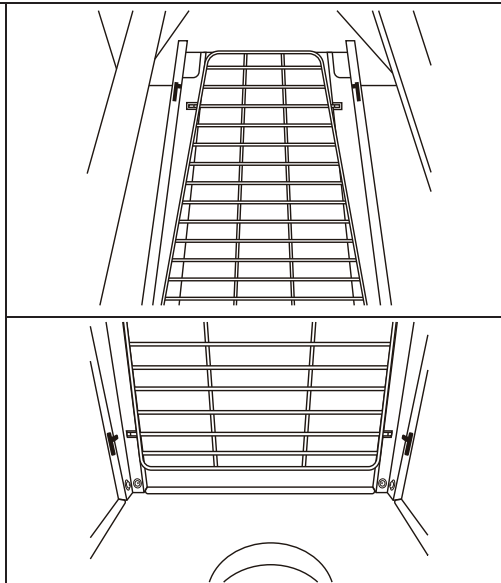
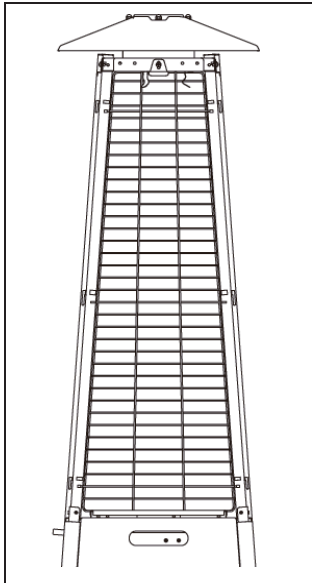
**STEP 5:** Attach Flame Screen (2) to the top of Support Bar-Upper (3) and fix the connection with 2pcs M5 screws and washers (BB), (See Figure I , II).  
Repeat this step and connect Flame Screen (2) to other 3 sets Support Bars-Upper (3). (See Figure III , IV)



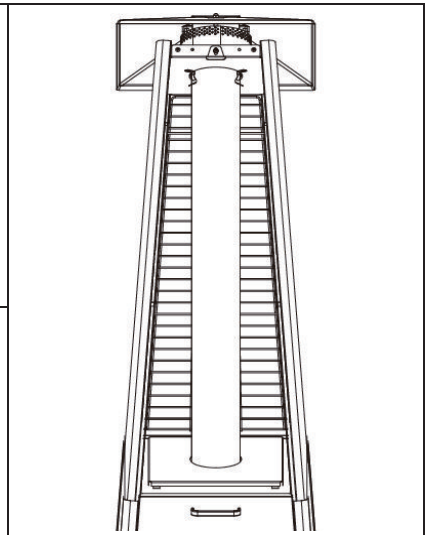
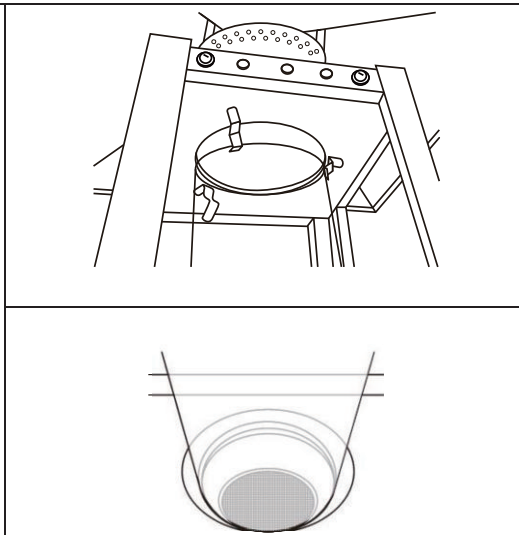
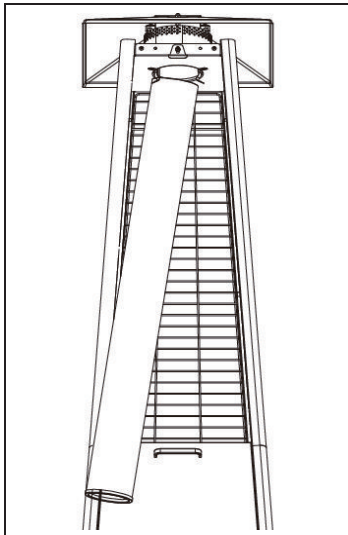
**STEP 6:** Place Reflector (1) on the Flame Screen (2) and fix the connection with 4pcs M5 CAP NUT (AA).



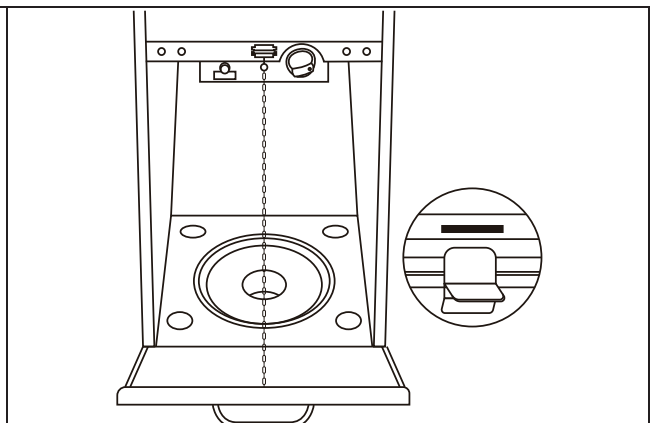
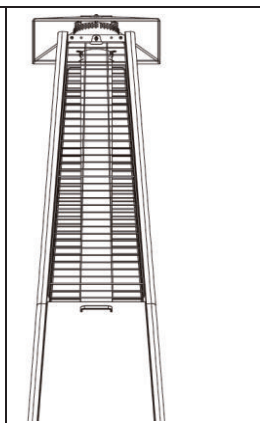
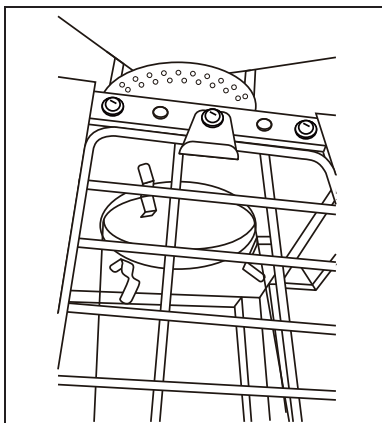
**STEP 7:** Place the whole upper parts to top of tank housing assembly. Make sure match the top ends of tank housing assembly with the bottom slot of Support Bar -Upper (3). Match the threaded holes and fix each connection with 2pcs M5 Screws and Washers (BB)



**STEP 8:** Insert 6 projecting ends of each Mesh Guard (4) into the seat slots of Support Bar -Upper (3) as shown in picture. Fix all Mesh Guards (4) except the front side.



**STEP 9:** Fix Rubber Ring (6) into the bottom of Glass Tube (5). Insert the top end of glass tube into the bottom hole of Flame Screen (2) as much as possible. Keep glass tube vertically and sit it in the hole of Plate Cover (8).  
**NOTE: GLASS TUBE IS FRAGILE PART, PLEASE HANDLE GLASS TUBE CAREFULLY AND SLOWLY!**



**STEP 10:** Assemble Mesh Guard (4) in the front. Loose 4pcs screws to keep 4pcs Guard Fastening Plates down and firmly in place.

**STEP 11:** Insert the feet of door into the bottom slots. Attach the Chain (7) to the hook of Burner Assembly (9) and close the door.

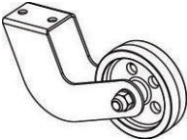
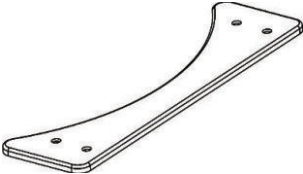


**Note: Model H1507 doesn't take this Chain.**



**OPTION:**

**Wheels Assembly Instruction for Real Flame Patio Heater**

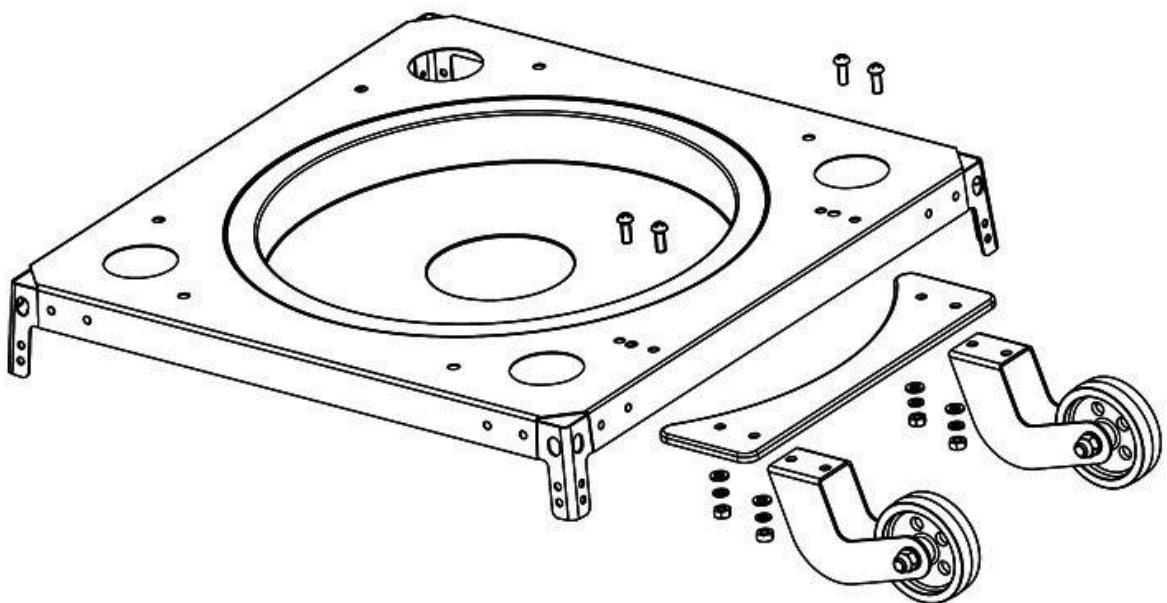
**Part List**

PART NO.	PART NAME	PICTURE	QTY
1	Wheels		2
2	Bracket		1
3	M6 Nut & Washers		4
4	M6 Screws		4

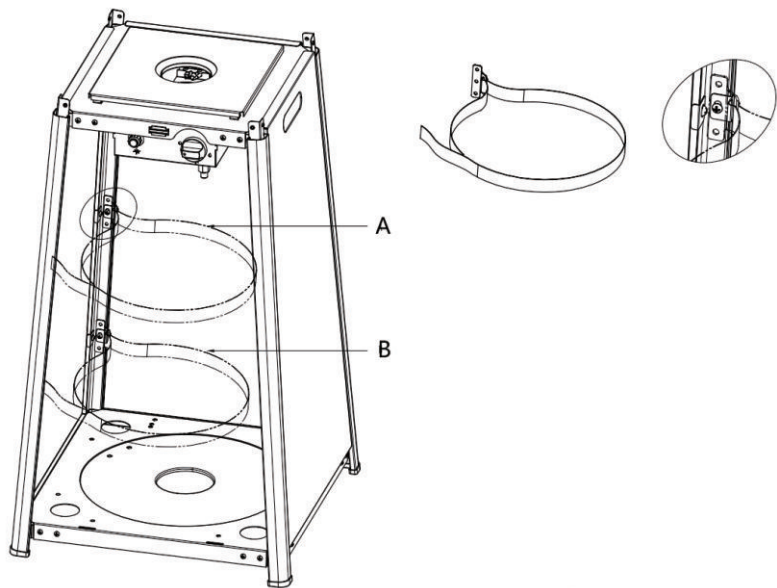
**Wheels Assembly**

**Note: Wheels need to be assembled before patio heater assembly.**

Collect above wheels parts together and fix wheels to the base as below picture.



## SECURING THE GAS CYLINDER



1. The cylinder belt(velcro tape) can be fixed at position A or B according to the cylinder height as photo above
2. Unscrew the M5 X 8 SCREW on the support bar of tank housing assembly,then fix the velcro tapes onto it
3. Position a gas cylinder inside the tank housing.
4. Connect the gas cylinder with a regulator. Please refer to the instructions attached with the regulator on how to connect a regulator with the gas cylinder.
5. Stick velcro tapes together as above photo illustrated. The tapes must be in a proper tightness for the gas cylinder.

**Caution: Please take care that the velcro tapes. DO NOT strain the regulator assembly.**

## LEAK TESTING

NEVER USE A NAKED FLAME TO CHECK FOR LEAKS.

NEVER LEAK TEST WHILE SMOKING.

The gas connections on this appliance are leak tested at the factory prior to shipment.

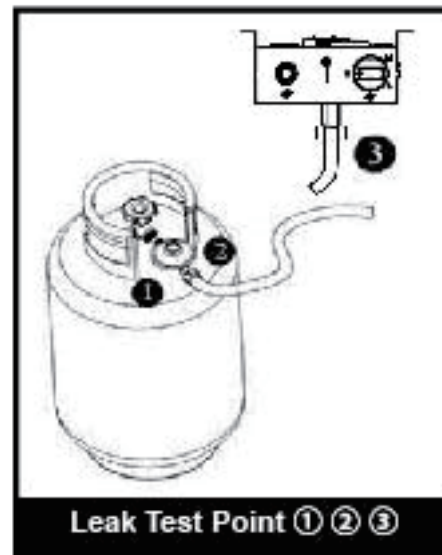
This appliance needs to be periodically checked for leaks and an immediate check is required if the smell of gas is detected.

Make a soap solution using 1 part of liquid dish-washing soap to 3 parts water. The soap solution can be applied with a soap bottle, brush, or rag to the leak tested points shown in the figure above.

The valve of the gas cylinder should be in the **OFF** position at this point of the leak test. Once the soapy solution is applied to the gas connections, the valve of the gas cylinder needs to be turned to the **ON** position.

Soap bubbles will begin to form in the soapy solution if a leak is present.

In case of a leak, turn off the gas supply. Tighten any leaking fittings, then turn the gas supply on and recheck.



## GAS REQUIREMENTS

The appliance must use an EN12864 or EN16129 approved gas regulator and CE approved gas hose with a length of 50cm (BS3212 and EN1763-1). Choose the proper regulator according to outlet pressure in the technical table in page 14.

You will need to purchase suitable gas hose and regulator from your local gas dealer if the appliance does not include gas hose and regulator.

Never use a gas cylinder with a damaged body, valve, collar, or foot ring. A dented or rusty gas tank may be hazardous and should be checked out by a gas supplier.

Never connect this appliance to an unregulated gas source.

When the appliance is not in use, turn the gas cylinder OFF.

Always perform a leak test on gas connections whenever a cylinder is connected. If bubbles form in the leak test solution, do not use. Never use a flame to test for leaks.

## CONNECTING TO A GAS CYLINDER

Recommended to use max. 15kg or smaller gas cylinder (maximum height 65cm) refer to your gas supplier for suitable gas cylinder.

Approved gas regulator is used according to appliances categories and countries listed in data plate. Approved flexible hose would be changed when the national conditions require it.

Assembly of the tubing must be conducted by some qualified tuber of destination countries.

Only change gas cylinders outdoors or in a well ventilated area away from naked flames and any other source of ignition (candle, cigarettes, other flame producing appliance....).

The gas cylinder must always be used in an upright position.

Close the heater control knob by turning fully clockwise.

Close the gas cylinder tap and then attach the regulator onto the gas cylinder.

Tighten all connections firmly and with a spanner where appropriate. The cylinder should be located on the cylinder base.

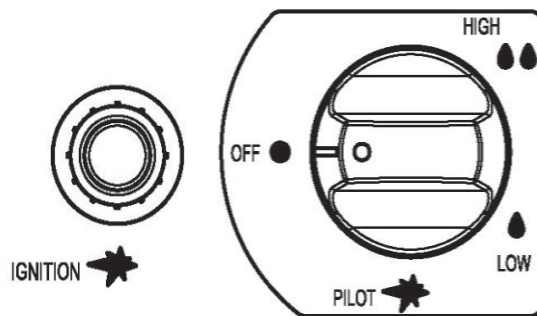
Check for leaks at all joints using soapy water. If a leak is found, tighten the joint and then re-test.

## OPERATING INSTRUCTIONS

BEFORE FIRST USE AND AFTER EVERY GAS CYLINDER CHANGE, GAS DELIVERY SYSTEM MUST BE PURGED OF AIR BEFORE IGNITING! TO DO THIS, TURN THE CONTROL KNOB ANTI-CLOCKWISE TO THE PILOT SETTING. PRESS KNOB IN AND HOLD FOR 3 MINUTES BEFORE ATTEMPTING IGNITION.

### BATTERY REPLACEMENT

Remove impulse ignition cap from Burner Assembly (J) by turning cap counterclockwise. Install 1 AA



## TO LIGHT THE PILOT

Check all connections prior to each use.

Turn on main gas supply at source.

Press to turn control knob anti-clockwise to **PILOT**, see right photo.

Hold knob depressed, press **IGNITION** button repeatedly until pilot flame is lit, then continue to hold the knob depressed for 10 seconds until the pilot remains lit after releasing knob.

If pilot fails to ignite or alight, press to turn knob clockwise to **OFF** and repeat.

## TO LIGHT THE PATIO HEATER

The pilot should be lit and the knob set to **PILOT**.

Hold knob depressed gently and turn anti-clockwise to **LOW**.

When mesh glows lit, turn knob clockwise from **Low** to **HIGH** as needed.

Note: The burner may be noisy when initially turned on. To eliminate excessive noise from the burner, turn the control knob to the pilot position. Then turn the knob to the level of heat desired.

### RE-LIGHTING

Turn Control Knob to OFF.

Wait at least 5 minutes, to let gas dissipate, before attempting to re-light pilot.

Repeat the "Lighting" steps.

## TO EXTINGUISH

Hold knob depressed & turn the knob clockwise to 'OFF'

Close the valve of the gas cylinder or the regulator after use.

Close the gas bottle and allow this appliance to cool before moving the appliance.

Note: After use, some discoloration of the emitter screen is normal. Close regulator after use, allow the appliance to cool before moving.

## IMPORTANT SAFETY RULES

For use outdoors or in amply ventilated areas.

An amply ventilated area must have a minimum of 25% of the surface area open.

The surface area is the sum of the walls surface.

The use of this appliance in enclosed areas can be dangerous and is **PROHIBITED**.

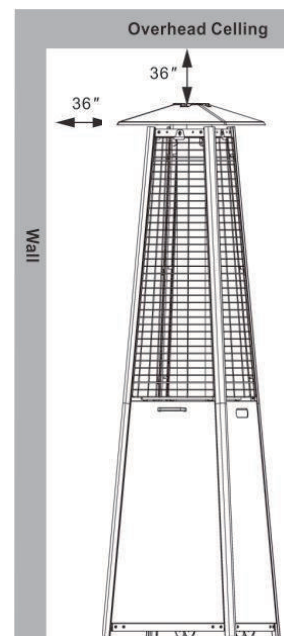
Children and adults should be aware of the high operating temperatures of areas above the post when operating this heater.

Children should be carefully supervised when in the vicinity of the heater.

**NEVER** hang anything, including clothes or any other flammable items, on this heater.

**DO NOT** operate this heater unless it is fully assembled with its reflector in place.

Respect the minimum clearances from combustible materials.



## MAINTENANCE

To enjoy years of outstanding performance from your heater, make sure you perform the following maintenance activities on a regular basis:

Keep exterior surfaces clean.

Use warm soapy water for cleaning. Never use flammable or corrosive cleaning agents.

While washing your unit, be sure to keep the area around the burner and pilot assembly dry at all times. If the gas control is exposed to water in any way, **DO NOT** try to use it. It must be replaced.

Airflow must be unobstructed. Keep controls, burner and circulation air passageways clean. Signs of possible blockage include: Gas odor with extreme yellow tipping of flame.

Heater does **NOT** reach the desired temperature.

Heater glow is excessively uneven.

Heater makes popping noises.

Spiders and insects can nest in burner or orifices. This dangerous condition can damage the heater and render it unsafe for use. Clean burner holes by using a heavy duty pipe cleaner. Compressed air may help clear away smaller particles.

Carbon deposits may create a fire hazard. If any carbon deposits develop, clean dome and engine with warm soapy water.

Note: in a salt-air environment (such as near the sea), corrosion occurs more quickly than normal. Frequently check the corroded areas and repair them promptly.

## SERVICING

Please consult your local dealer for servicing this appliance and replacement of its parts. The servicing of the appliance shall be carried out only by authorised personnel.

Caution: do not use unauthorized parts or components for this appliance, only use original equipment replacement parts and components. The use of unauthorized parts or components will void the warranty and can create an unsafe condition.

## STORAGE

There is no limitation on the storage of the appliance indoors provided that the cylinder is removed from the appliance.

Between uses:

Turn control knob **OFF**

Turn gas cylinder **OFF**

Store heater upright in an area sheltered from direct contact with inclement weather (such as rain, sleet, hail, snow, dust and debris).

If desired, cover to protect exterior surfaces and to prevent build up in air passages.

Note: Wait until heater is cool before covering.

During periods of extended inactivity or when transporting:

Turn control knob **OFF**.

Disconnect gas cylinder and move to a secure, well ventilated location outdoors. **DO NOT** store in a location that will exceed 50°C.

Store heater upright in an area sheltered from direct contact with inclement weather (such as rain, sleet, hail, snow, dust and debris).

If desired, cover heater to protect exterior surfaces and to prevent build up in air passages.

Note: Wait until heater is cool before covering

## TROUBLESHOOTING

IF THE PROBLEM IS:	AND THIS CONDITION EXISTS:	THEN DO THIS:
<b>Pilot won't light</b>	Cylinder valve is closed	Open valve
	Blockage in orifice or pilot tube	Clean or replace orifice or pilot tube
	Air in the gas line	Open gas line and bleed it (pressing control knob in) for not more than 1-2 minutes or until you smell gas
	Low gas pressure	Gas cylinder low or empty
	Igniter fails	Use match to light pilot, and obtain new igniter and replace. ( See below pictures)
<b>Pilot won't stay lit</b>	Dirt build up around pilot	Clean dirt from around pilot
	Connection between gas valve and pilot assembly is loose	Tighten connection and perform leak test
	Bad thermocouple	Replace thermocouple
<b>Burner won't light</b>	Gas pressure is low	Replace gas cylinder
	Blockage in orifice	Clear blockage
	Control knob is not in "ON" position	Turn control knob to "ON" position
<b>Burner flame is low</b> <i>Note: Do not operate heater below 5 °C(40°F)</i>	Gas pressure is low	Replace gas cylinder
	Outdoor temperature is greater than 5°C(40°F) and tank is less than 25% full	Replace gas cylinder
	Supply hose is bent or kinked	Straighten hose and perform leak test on hose
	Control knob is fully "ON"	Turn control knob to "OFF", let it cool to room temperature and check burner and orifices for blockage
<b>Emitter glows uneven</b> <i>Note: Bottom 2.5cm of emitter normally does not normally glow</i>	Gas pressure is low	Replace gas cylinder
	Base is not on a level surface	Place heater on a level surface
	Heater not level	Level heater
<b>Carbon build-up</b>	Dirt or film on reflector and emitter	Clean reflector and emitter
<b>Thick black smoke</b>	Blockage in burner	Turn control knob to "OFF", let it cool to room temperature and remove blockage and clean burner inside and outside.

## TECHNICAL DATA

1.9m pyramid patio heater  
 SKU:842-192 842-193  
 Manufacturer's model NO.: H1501&H1502

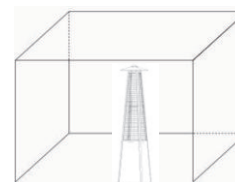
Heat input  $\Sigma Q_n(H_s) \approx 1.2 \text{ kW}$   
 Consumption: 815g/h  
 PIN: 0063CO7365



Country Code	CH-ES-FR-GB-GR-IE-IT-PT	BE-CY-CZ-DK-EE-FI-GR-IT-LT-LV-MT-NL-NO-SE-SI-SK-BG-RO-TR	AT-CH-DE	PL	CZ-FR-GB-GR-IE-PT	AT-CH-DE-NL
Gas Category	I <sub>3+</sub> (28-30/37)	I <sub>3B/P</sub> (30)	I <sub>3B/P</sub> (50)	I <sub>3B/P</sub> (37)	I <sub>3P</sub> (37)	I <sub>3P</sub> (50)
Type of Gas	Butane Propane	Butane/ Propane / Mixture	Butane/ Propane / Mixture	Butane/ Propane / Mixture	Propane	Propane
Gas pressure	28-30 mbar	37mbar	30mbar	50mbar	37mbar	50mbar
Injector Marking	1.6	1.6	1.4	1.5	1.6	1.5

### Warning

Read the instructions before using this appliance.  
 The appliance must be installed in accordance with instructions and local regulations.  
 The use of this appliance in enclosed areas can be dangerous and is PROHIBITED.  
 For use outdoors or in amply ventilated areas.  
 An amply ventilated area must have a minimum of 25% of the surface area open.  
 The surface area is the sum of the walls surface.



## GUARANTEE

Any defect affecting the functionality of the appliance which becomes apparent within one year of its purchase will be corrected by free repair or replacement provided that it has been used and maintained in accordance with the instructions and has not been abused or misused in any way. Your statutory rights are not affected. If it's under guarantee, state where and when it was bought, and include proof of purchase (e.g. till receipt).  
 In line with our policy of continuous product development we reserve the right to change product, packaging and documentation specifications without notice.

## DISCARD

At the end of the life of the appliance, please cast of the appliance according to the on that moment applying regulations and guidelines.

US



001-877-644-9366  
customerservice@aosom.com

CA



001-855-537-6088  
customerservice@aosom.ca

UK



0044-800-240-4004  
enquiries@mhstar.co.uk

DE



0049-(0)40-88307530  
service@aosom.de

FR



0033-1-84166106  
contact@aosom.fr

ES



0034-931294512  
atencioncliente@aosom.es

IT



0039-0249471447  
clienti@aosom.it