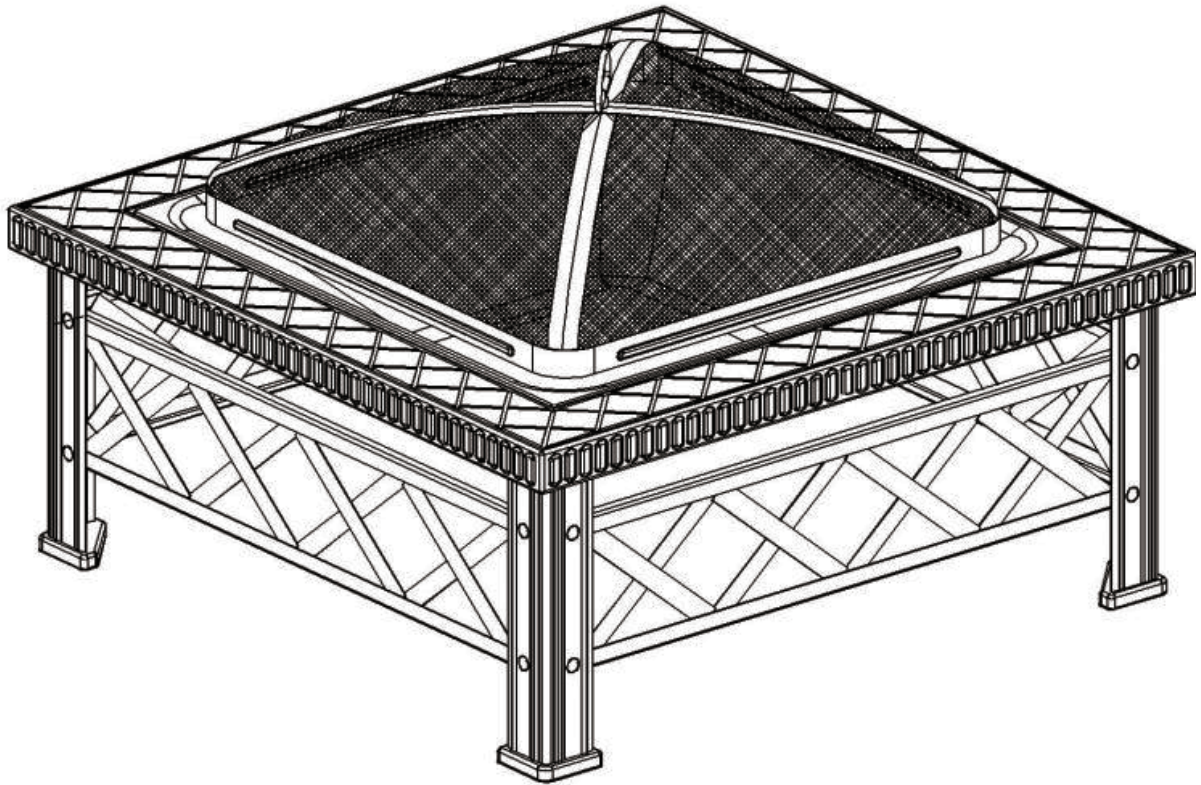




INbzb007V01\_UK

**842-170**



**30" Fire Pit /Slate Surround**

IMPORTANT, RETAIN FOR FUTURE REFERENCE: READ CAREFULLY

**ASSEMBLY INSTRUCTION**

## **SAFETY WARNINGS AND PRECAUTIONS**

**Please read all instructions carefully and keep this manual safe for future reference.**

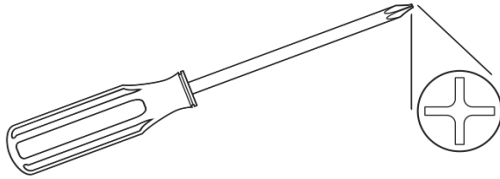
- Keep at least 2 feet away from all other articles during use.
- This fire pit is intended for outdoor use only.
- To be used to burn wood logs only. Do not burn coal, leaves, or other combustible materials in the fire pit.
- Not to be used by children. Keep children and pets away from the fire pit.
- **CAUTION!** Please be careful when handling the fire pit, as the pit will be hot. Do not touch the hot fire pit with bare hands.
- Never leave the burning fire pit unattended, and always extinguish the fire completely before leaving the fire pit.
- Do not use near flammable or combustible objects or materials.
- When the fire pit is in use, the handle on the mesh screen can reach extreme temperatures which can cause serious injury and burns to an unprotected hand. Use a poker or an appropriate heat resistant glove or pad when handling.
- Check local fire regulations and municipal by-laws for safe use.
- Some parts may contain sharp edges. Wear protective gloves if necessary.
- The metal will become extremely hot during use and will retain the heat for some time after use. Do not touch the metal or try to move the unit whilst hot.
- Keep children away from the unit while in use until the fire is extinguished and the metal has cooled.
- Do not use on wooden surfaces, decks, grass, near walls or flammable articles, or under overhead coverings.
- Use only the fuel type(s) specified in the instructions. Using other fuel types is dangerous and could cause injury.
- Do not overload the unit with fuel.

## PREPARATION

Before beginning assembly of product, ensure all parts are present. Compare parts with package contents list and hardware contents below. If any part is missing or damaged, do not attempt to assemble the product. Contact customer service for replacement parts.

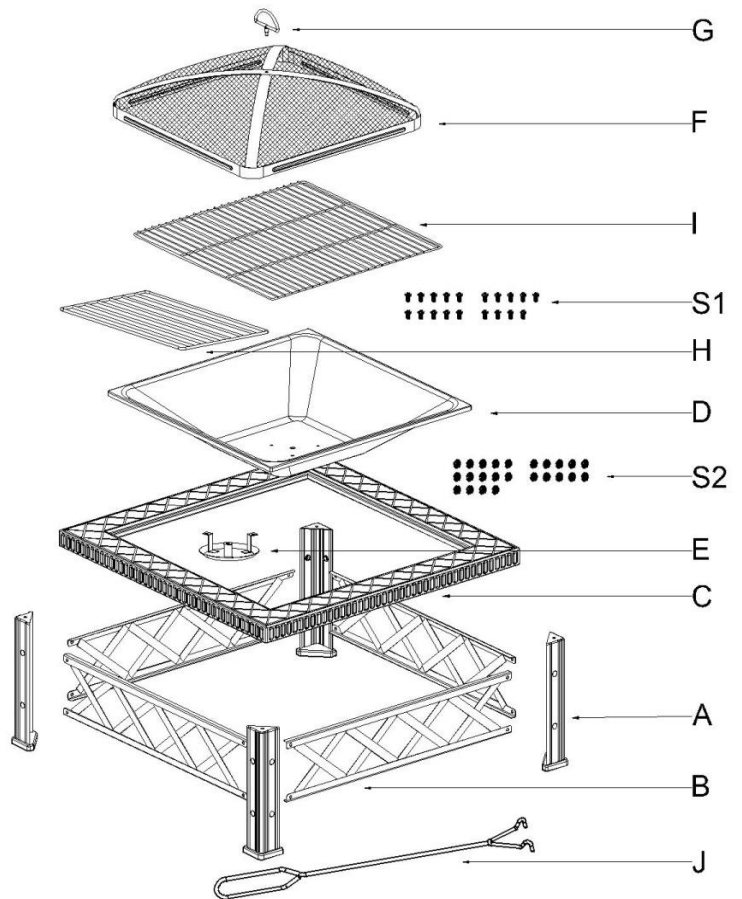
**Estimated Assembly Time: 10 minutes.**

Tools Required for Assembly: M6 Wrench (Included) and Phillips Screwdriver (Not Included)



## FIRE PIT PARTS LIST

No.	PARTS	Qty
A	Legs	4
B	Side Panels	4
C	Slate top	1
D	Bowl	1
E	Ash Catcher	1
F	Mesh wire cover	1
G	Handle	1
H	Wood grate	1
I	Cooking grill	1
J	Poker	1

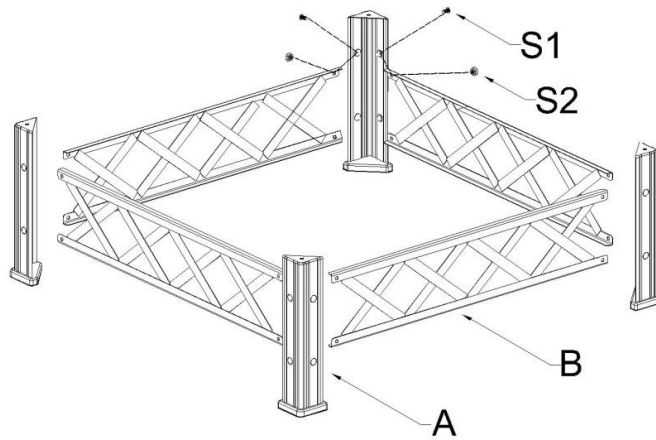


## HARDWARE LIST

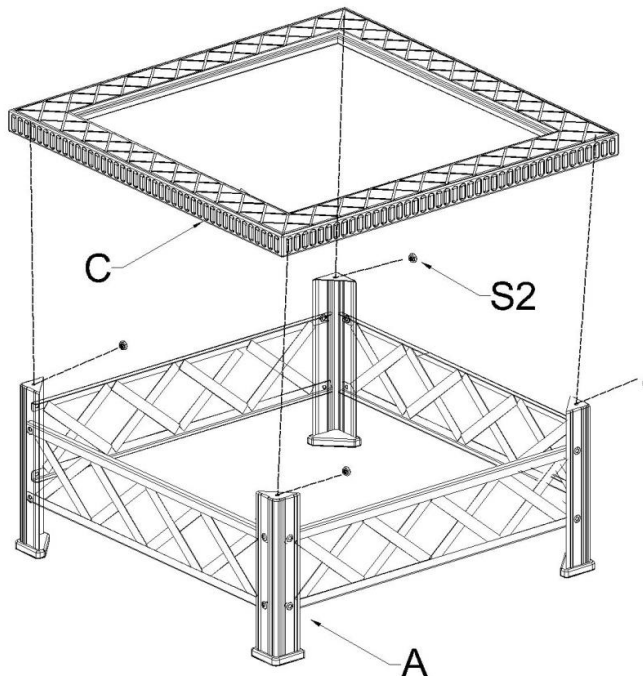
No.	Hardware	Qty
S1	M6 x12 mm Bolt	19+1(spare)
S2	M6 Nuts	24+1(spare)

**Step by Step Assembly Instructions:**

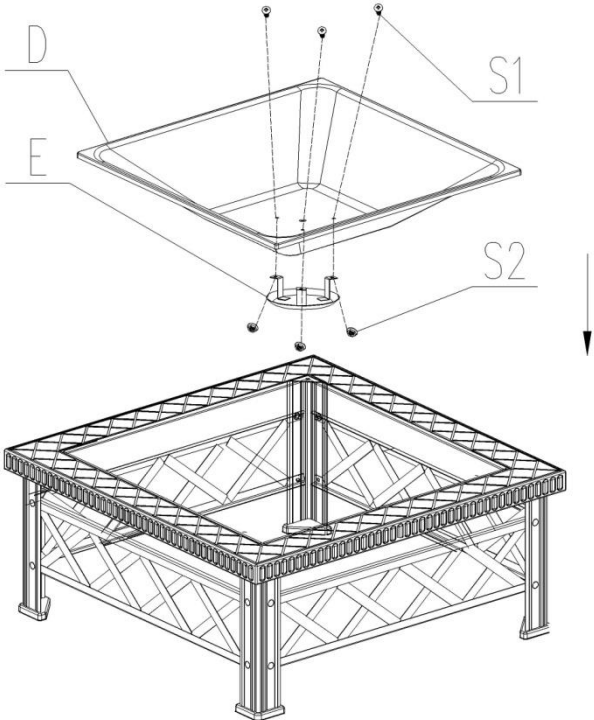
**Step1:** Attach Side Panels (B) to legs (A) using M6 x 12mm bolts (S1) and M6 Nuts (S2). Do not tighten all bolts at this point.



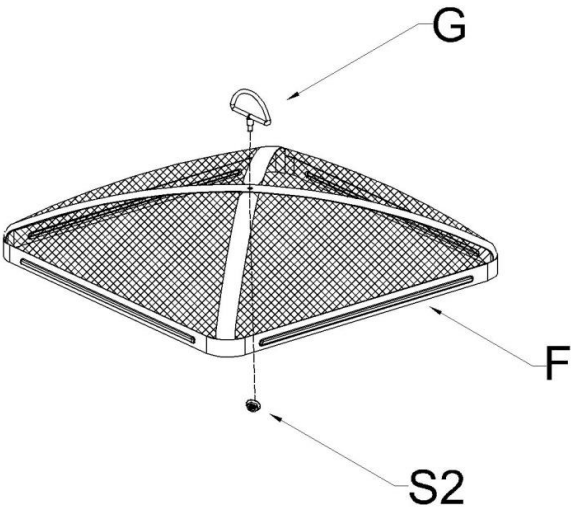
**Step 2:** Place Slate Top (C) upside down. Attach completed leg assembly using M6 Nuts (S2). Tighten all bolts with Wrench.



**Step 3:** Attach the Ash Catcher (E) to Fire Bowl (D) using 3 of the M6 x 12mm Bolts (S1) and M6 Nuts (S2). Tighten all bolts with a Wrench.



**Step 4:** Attach Handle (G) to Mesh Wire Cover (F) by using M6 Nut (S2) and tighten the bolt with a wrench.



**Step 5:** Place Fire bowl (D), Wood Grate (H) and cooking grill (I) into fire pit assembly. Cover with Mesh Wire Cover (F). Place Poker (J) near fire pit for use as needed.

