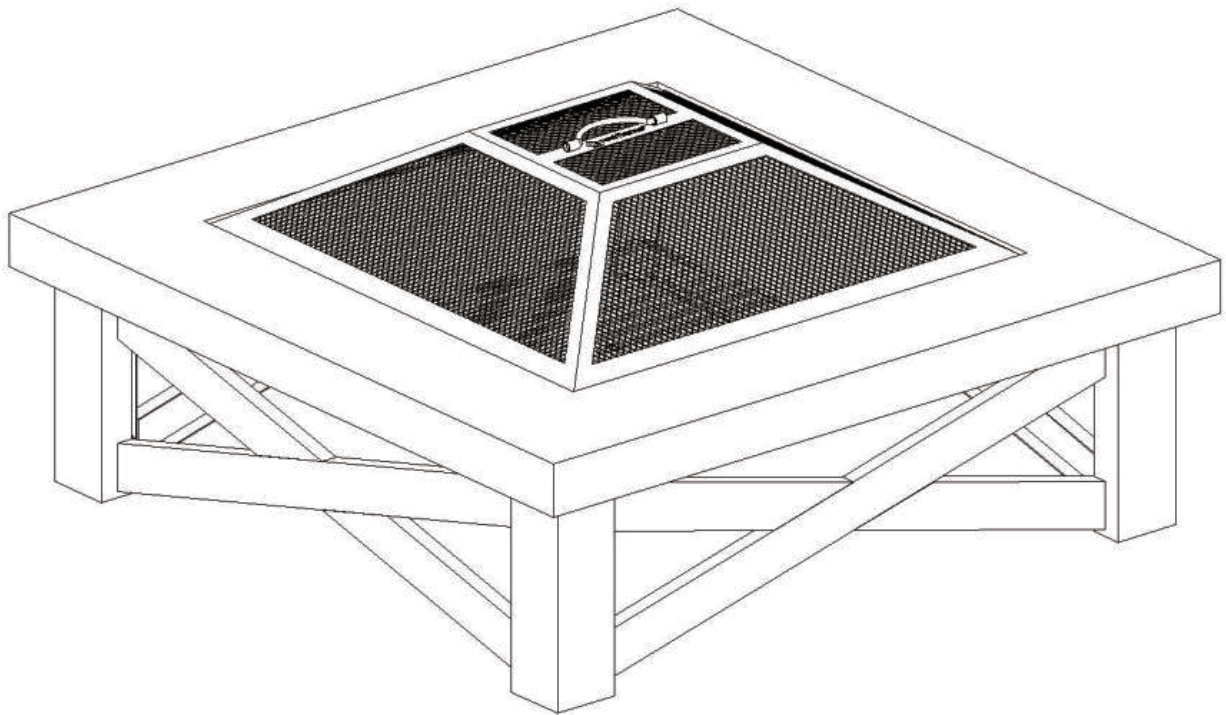




INbzb009V01_UK

842-171



EN:34" SQUARE FIRE PIT

FR:34" FOYER CARRÉ

IMPORTANT, RETAIN FOR FUTURE REFERENCE: READ CAREFULLY

ASSEMBLY INSTRUCTION

SAFETY WARNINGS AND PRECAUTIONS

Please read all instructions carefully and keep this manual safe for future reference.

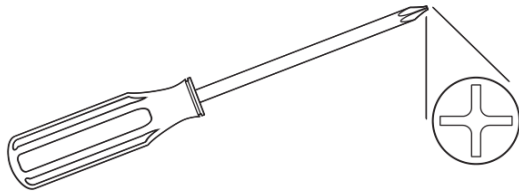
- Keep at least 2 feet away from all other articles during use
- This fire pit is intended for outdoor use only.
- To be used to burn wood logs only. **DO NOT** burn coal, leaves, or other combustible materials in the fire pit.
- Not to be used by children. Keep children and pets away from the fire pit.
- **CAUTION!** Please be careful when handling the fire pit, as the pit will be hot. Do not touch the hot fire pit with bare hands.
- Never leave the burning fire pit unattended, and always extinguish the fire completely before leaving the fire pit.
- Do not use near flammable or combustible objects or materials.
- When the fire pit is in use, the handle on the mesh screen can reach extreme temperatures which can cause serious injury to an unprotected hand. Use a poker or an appropriate heat resistant glove or pad when handling.
- Check local fire regulations and municipal by-laws for safe use.
- Some parts may contain sharp edges. Wear protective gloves if necessary.
- The metal may become extremely hot during and after use. Do not touch the metal or try to move the unit whilst hot.
- Keep children away from the unit while in use until the fire is extinguished and the metal has cooled.
- Do not use on wooden surfaces, decks, grass, near walls or flammable articles, or under overhead coverings.
- Use only the fuel type(s) specified in the instructions. Using other fuel types is dangerous and could cause injury.
- Do not overload the unit with fuel.

PREPARATION

Before beginning assembly of product, make sure all parts are present. Compare parts with package contents list and hardware contents below. If any part is missing or damaged, do not attempt to assemble the product. Contact customer service for replacement parts.

Estimated Assembly Time: 10 minutes.

Tools Required for Assembly: M6 Wrench (Included) and Phillips Screwdriver (Not Included)

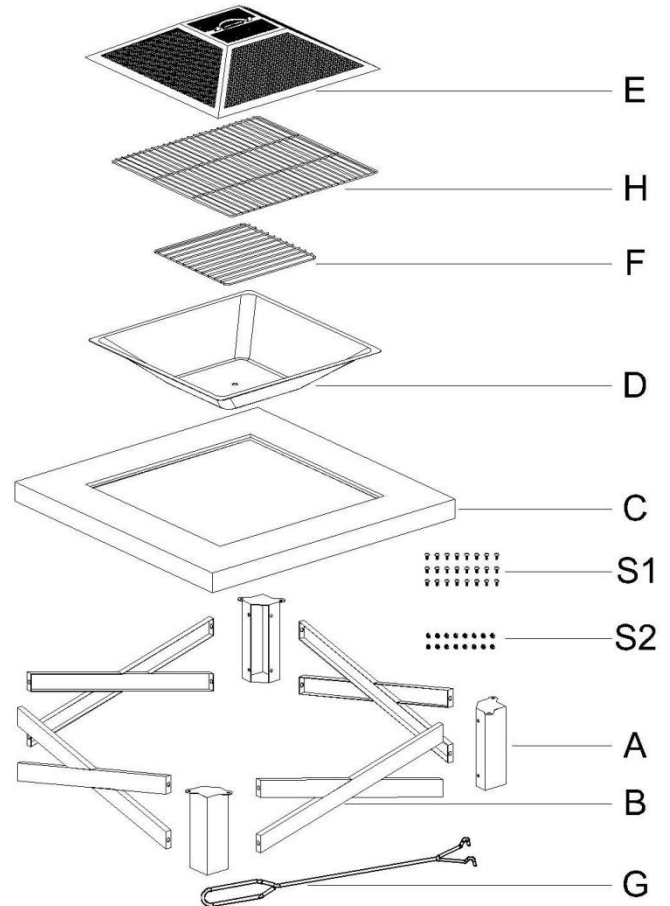


FIRE PIT PARTS LIST

No.	PARTS	Qty
A	Legs	4
B	Side Panels	4
C	Tabletop	1
D	Bowl	1
E	Mesh wire cover	1
F	Wood grate	1
G	Poker	1
H	Cooking grill	1

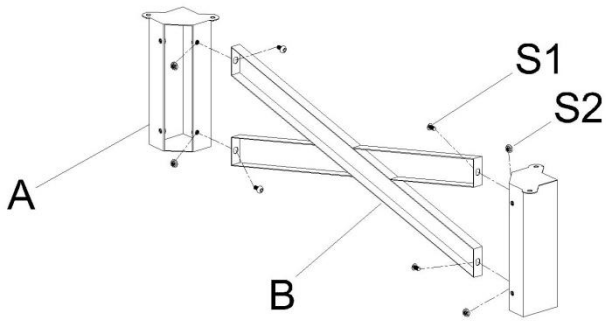
HARDWARE LIST

No.	Hardware	Qty
S1	M6 x12 mm Bolt	24+1(spare)
S2	M6 Nuts	16+1(spare)

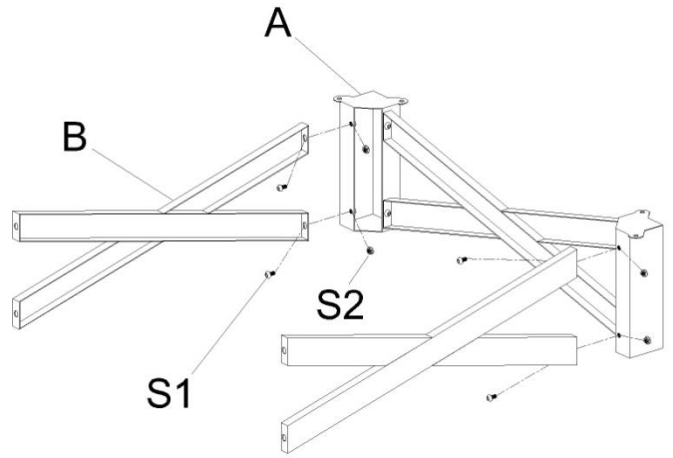


Step by Step Assembly Instructions:

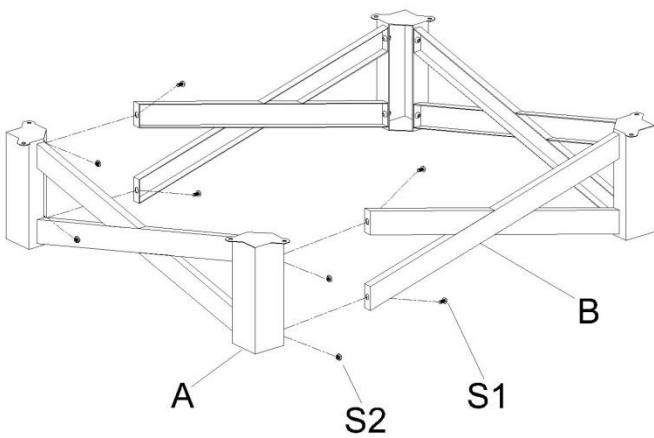
Step1:



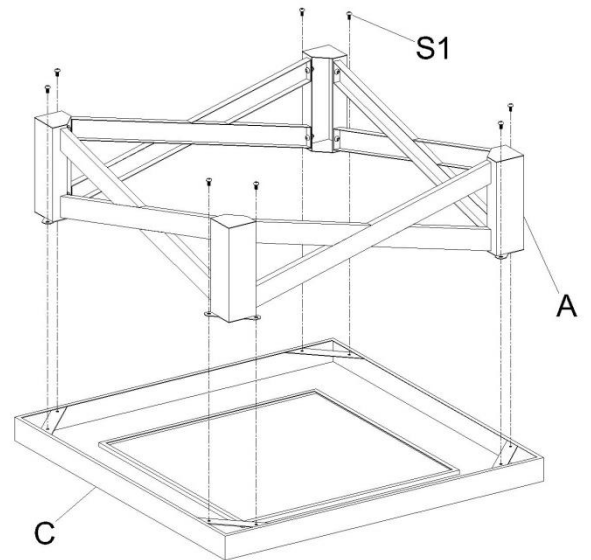
Step2:



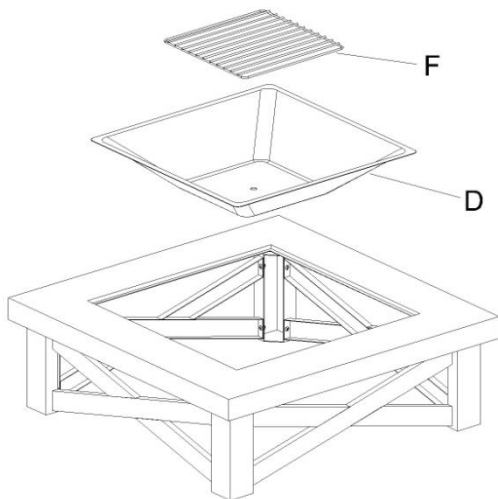
Step2:



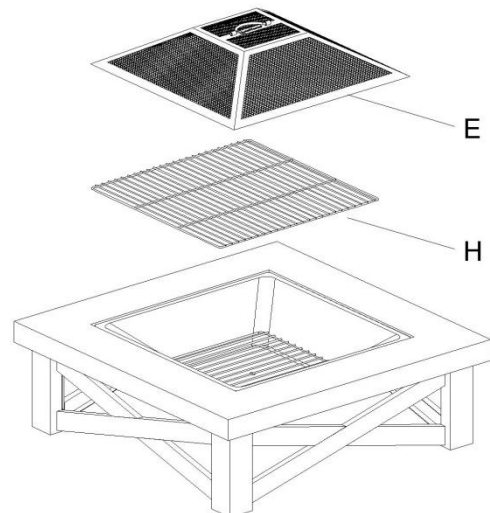
Step4:



Step5:



Step6:



Step7:

