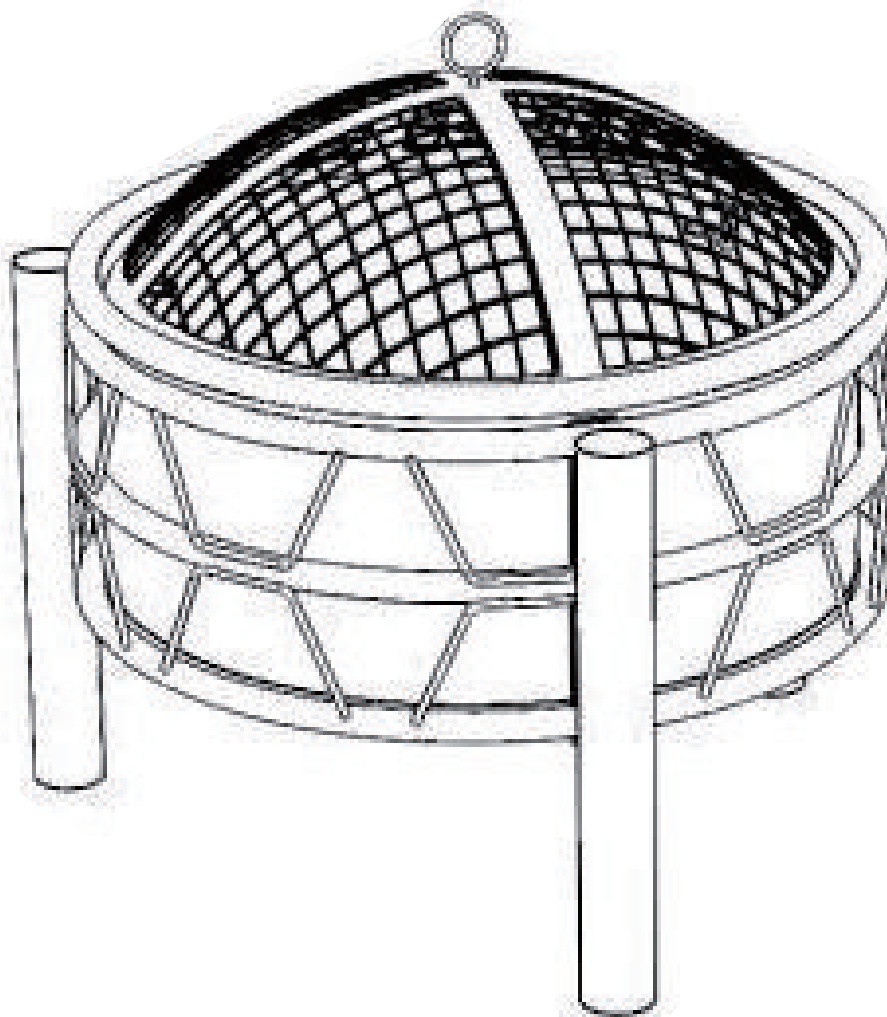




INbzb046_UK

842-267

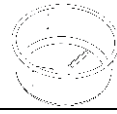
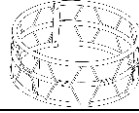


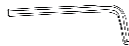
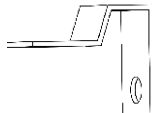


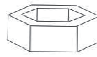


IMPORTANT, RETAIN FOR FUTURE REFERENCE: READ CAREFULLY

ASSEMBLY & INSTRUCTION MANUAL

Please check all packing material carefully before discarding, as some parts may be encased in the packing material.

Part List

Part List	Description	Qty.	Drawings
A	Fire Bowl	1	
B	Leg	3	
C	Support Ring	1	
D	Mesh Lid	1	
E	Lid Ring	1	
F	Allen Wrench	1	
G	Support Bar	3	
H	Poker	1	
I	Bolt (M6×50MM)	6	
J	Nut (M8)	1	

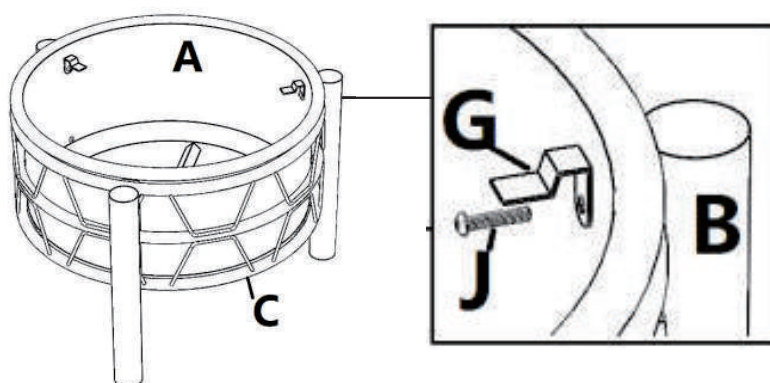
Tools Required: Allen Wrench (Included) and Philips Screwdriver (Not included)

Assembly Instructions

Please check all packing material carefully before discarding, as some parts may be encased in the packing material

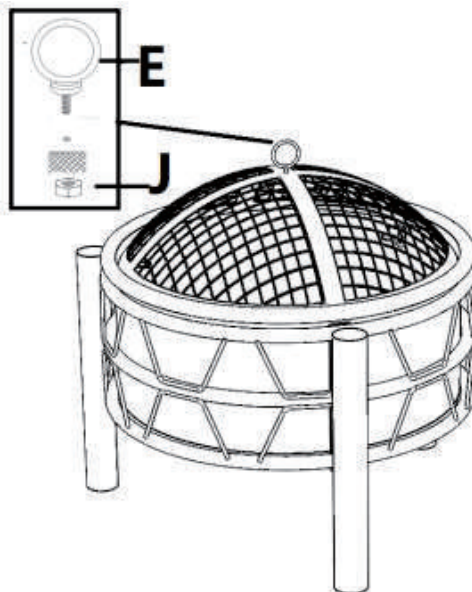
Step 1 Attach the Legs (B) to Support Ring (C), Fire Bowl (A) and Support Bars (G) by using Bolts (I). Finger Tighten and do not fully tighten bolts. Fix Legs (B) to Support Ring (C) and Fire Bowl (A) by using Bolts (I). Tighten all the bolts accordingly with the provided Allen Wrench until all pieces fit together securely. (View Fig.1)

Fig.1



Step 2 Affix Lid Ring (E) to the Mesh Lid (D) by screwing Nut (J), Put Mesh Lid onto the Fire Bowl (A). (View Fig.2)

Fig.2



WARNING:



FOR OUTDOOR USE ONLY

FOR YOUR SAFETY:

1. Improper installation, adjustment, alteration, service or maintenance can cause injury or property damage.
2. Read the installation, operation, and maintenance instructions thoroughly before installing or servicing this equipment.
3. Failure to follow these instructions could result in fire or explosion, which could cause property damage, personal injury, or death.

OPERATING INSTRUCTIONS

Lighting

1. make sure there is only a small amount of ash in the bottom of the bowl.
2. place a layer of dry kindling or a natural firestarter onto the center of the grate.
3. place above that a layer of dry seasoned hardwood that is cut to lengths no more than 3/4 the diameter of the bowl.
4. use a match to light kindling or firestarter.
5. using a hook and heat resistant gloves, replace spark guard once the kindling or firestarter is lit.

Tending the fire

You may need to shift and/or add logs for an ideal experience.

▲CAUTION: DO NOT place a hot spark guard or hot fire bowl tools onto combustible surfaces such as grass, wooden deck or furniture.

1. Using a hook and heat resistant gloves, carefully remove spark guard.
2. While using a long handled fire pit tool, shift coals and logs to allow additional airflow.

3. DO NOT add gasoline, kerosene, diesel fuel, lighter fluid or alcohol to relight or enhance an existing fire.
4. Wait until glowing coals have developed before adding any additional wood. If additional wood is required, place wood on top coals. Be careful not to shift ashes.
5. Using a hook and heat resistant gloves, replace spark guard.

Extinguishing

1. Allow fire to burn it out.
2. DO NOT use water to extinguish as this is dangerous and can cause damage to this outdoor fire pit.

CLEANING AND CARE

Inspecting

This outdoor fire pit should be inspected on a regular basis to ensure product safety and longer product life.

▲ CAUTION: DO NOT attempt to inspect this outdoor fire pit until the fire is completely out.

1. Check handles to make sure they are secure.
2. Check components for any signs of damage or rust.
3. If damage to any components is detected, DO NOT operate until repairs are executed.

Cleaning

This outdoor fire pit should be inspected on a regular basis to ensure product safety and longer product life.

Note: After repeated use, a slight discoloration of the finish may occur.

▲ CAUTION: DO NOT attempt to inspect this outdoor fire pit until the fire is COMPLETELY out.

▲ CAUTION: DO NOT use oven cleaner or abrasive cleaners as they will damage this product.

▲ CAUTION: DO NOT clean any part of this outdoor fire pit in a self cleaning oven as it may damage the finish.

1. Wipe exterior surfaces with a mild dishwashing detergent or baking soda.
2. For stubborn surfaces use a citrus based degreaser and a nylon scrubbing brush.
3. Rinse clean with water.
4. Remove built-up creosote from components with a chimney cleaning product.

Storage

▲ CAUTION: DO NOT move or store this outdoor fire pit until the fire is completely out.

1. Once the fire is out, coals are cold and outdoor fire pit is cool to the touch, remove ashes and properly dispose.
2. Store assembled in a location away from children and pets.