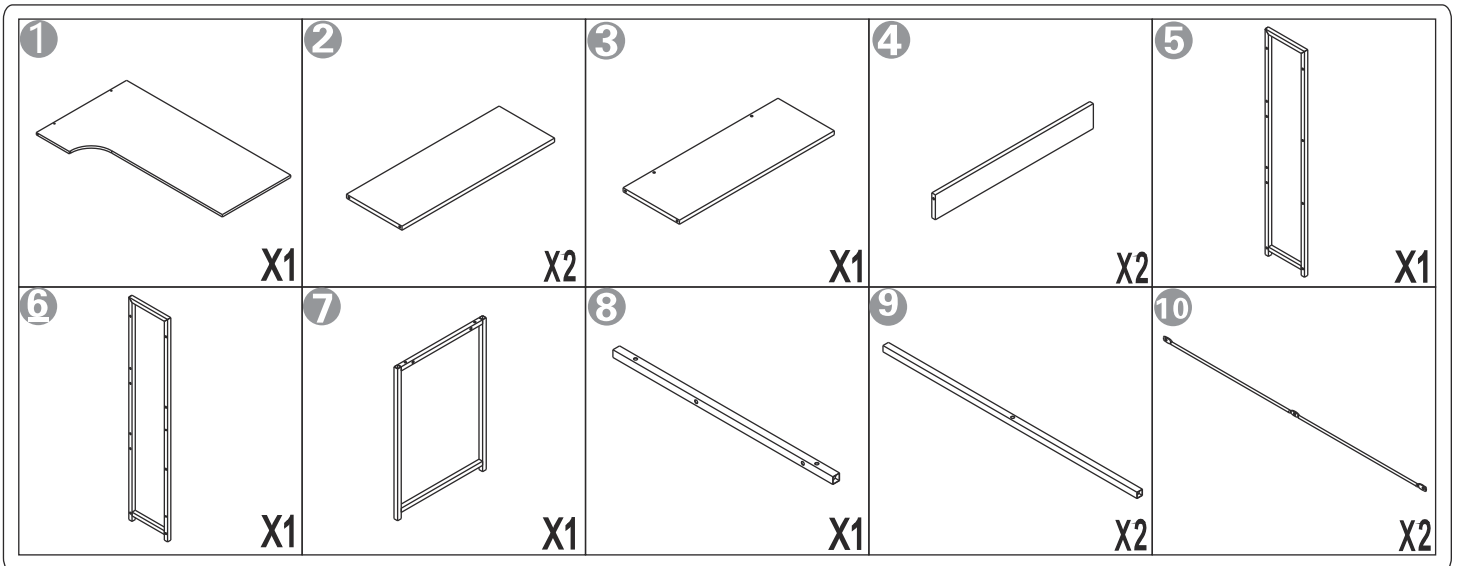
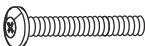
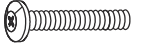

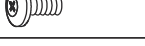







READ AND SAVE THIS INSTRUCTION FOR FUTURE USE

**ASSEMBLY INSTRUCTION**

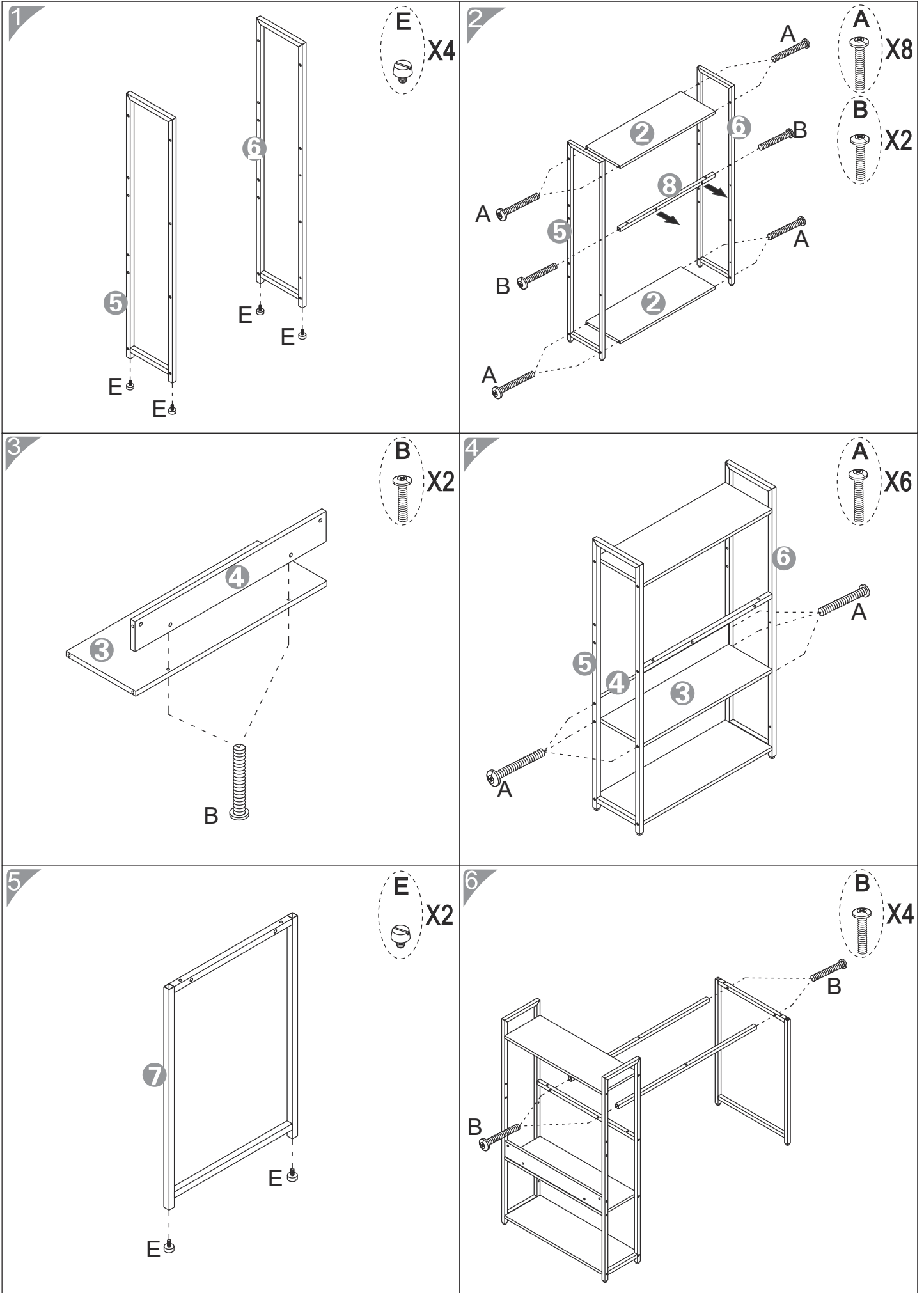
# Part List

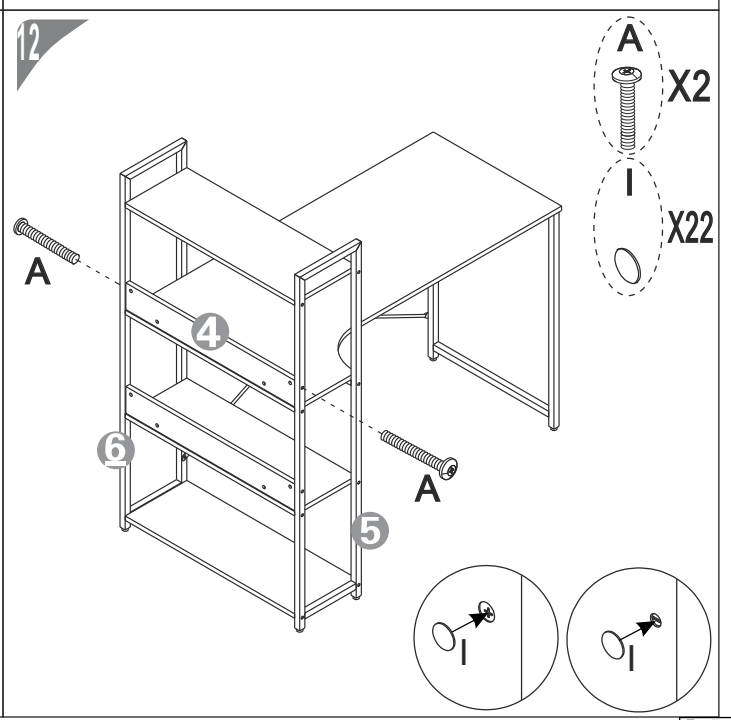
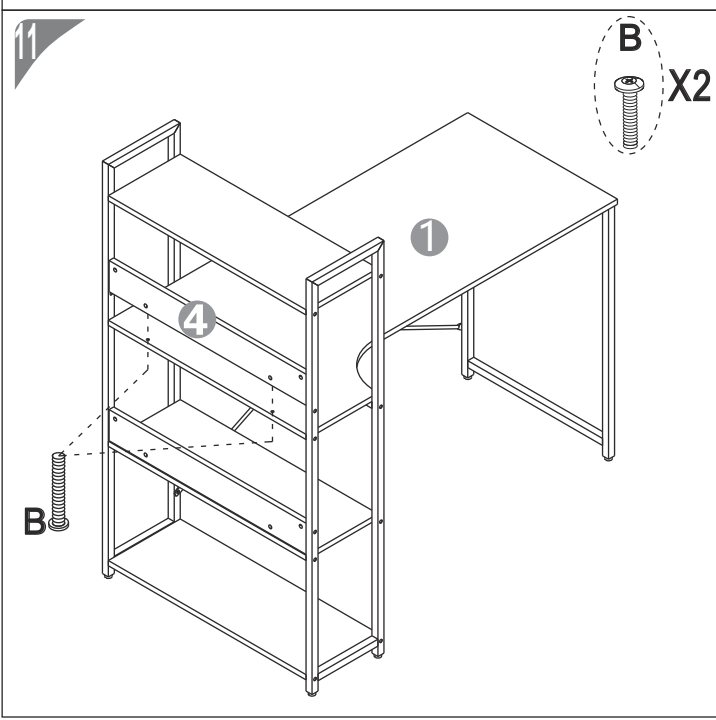
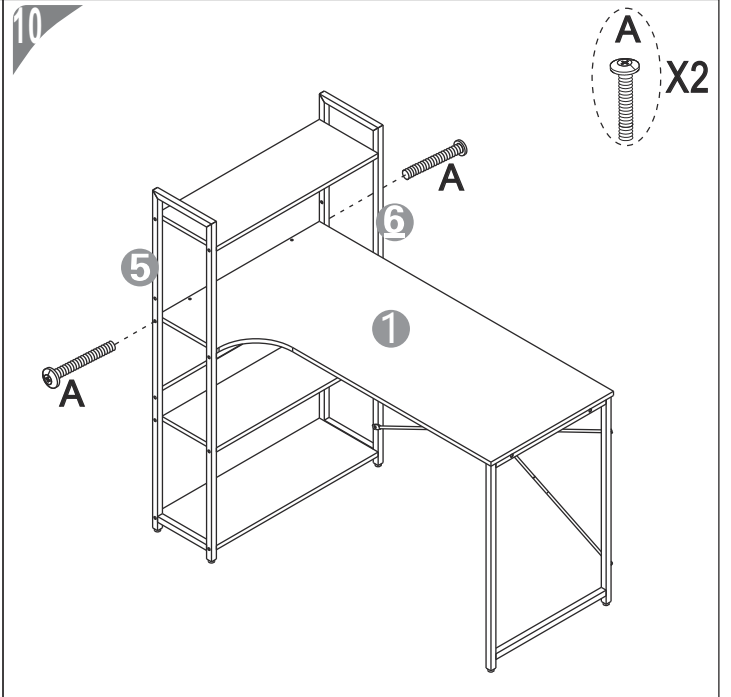
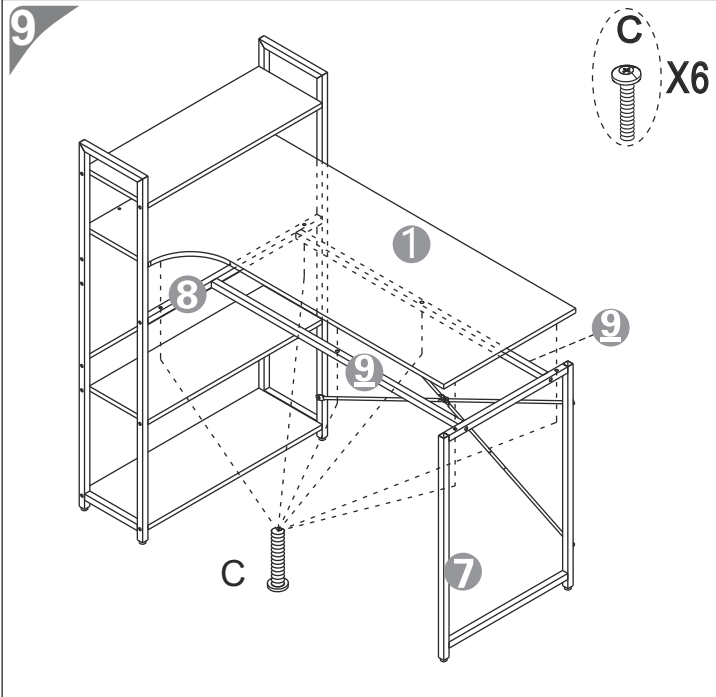
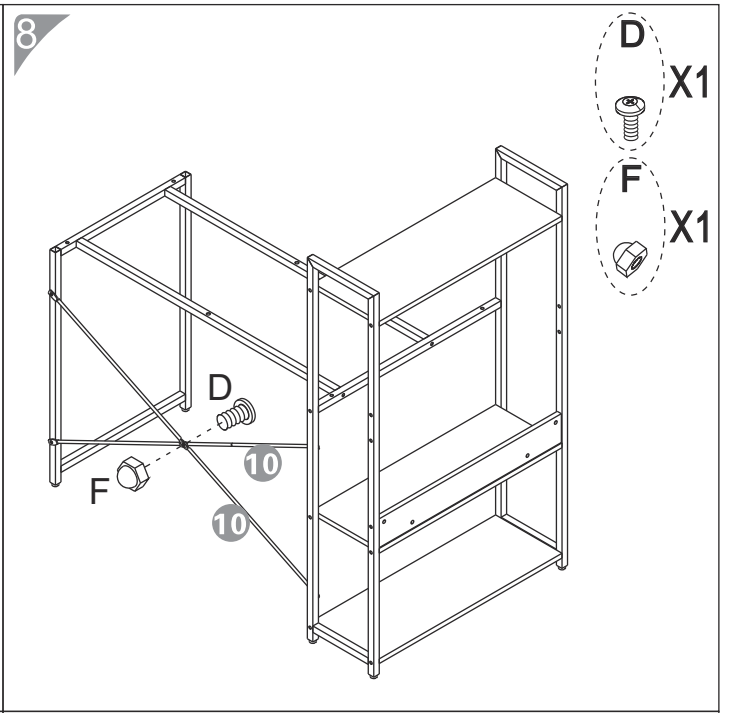
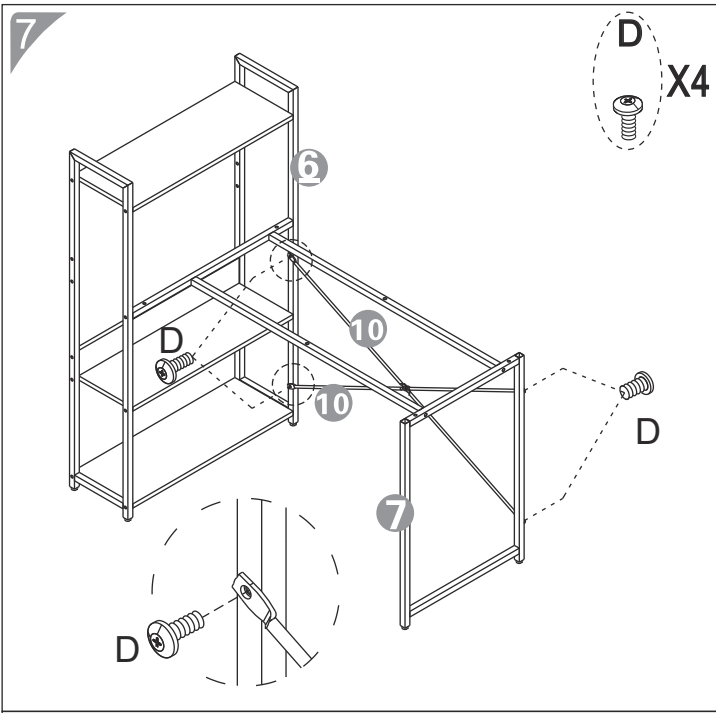


PART NO.	QTY.	PARTS	
<b>A</b>	18	M6x45mm	
<b>B</b>	10	M6x40mm	
<b>C</b>	6	M6x30mm	
<b>D</b>	5	M6x12mm	
<b>E</b>	6	M6x10xH7	

PART NO.	QTY.	PARTS	
<b>F</b>	1	M6	
<b>G</b>	1	10~14	
<b>H</b>	1	Φ5x54mm	
<b>I</b>	22	Φ21	

# Assembly Instructions





US



001-877-644-9366  
customerservice@aosom.com

CA



001-855-537-6088  
customerservice@aosom.ca

UK



0044-800-240-4004  
enquiries@mhstar.co.uk

DE



0049-(0)40-88307530  
service@aosom.de

FR



0033-1-84166106  
contact@aosom.fr

ES



0034-931294512  
atencioncliente@aosom.es

IT



0039-0249471447  
clienti@aosom.it