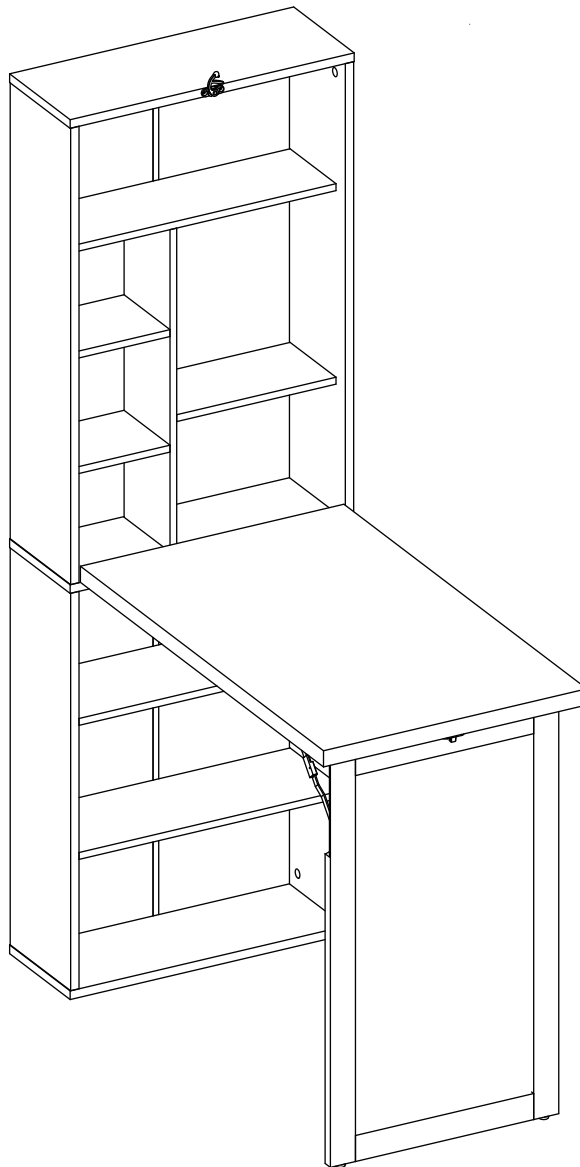


INc2a008_GL

836-296CG/836-296WT



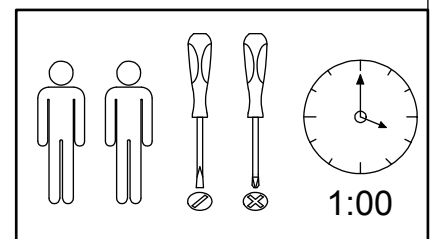
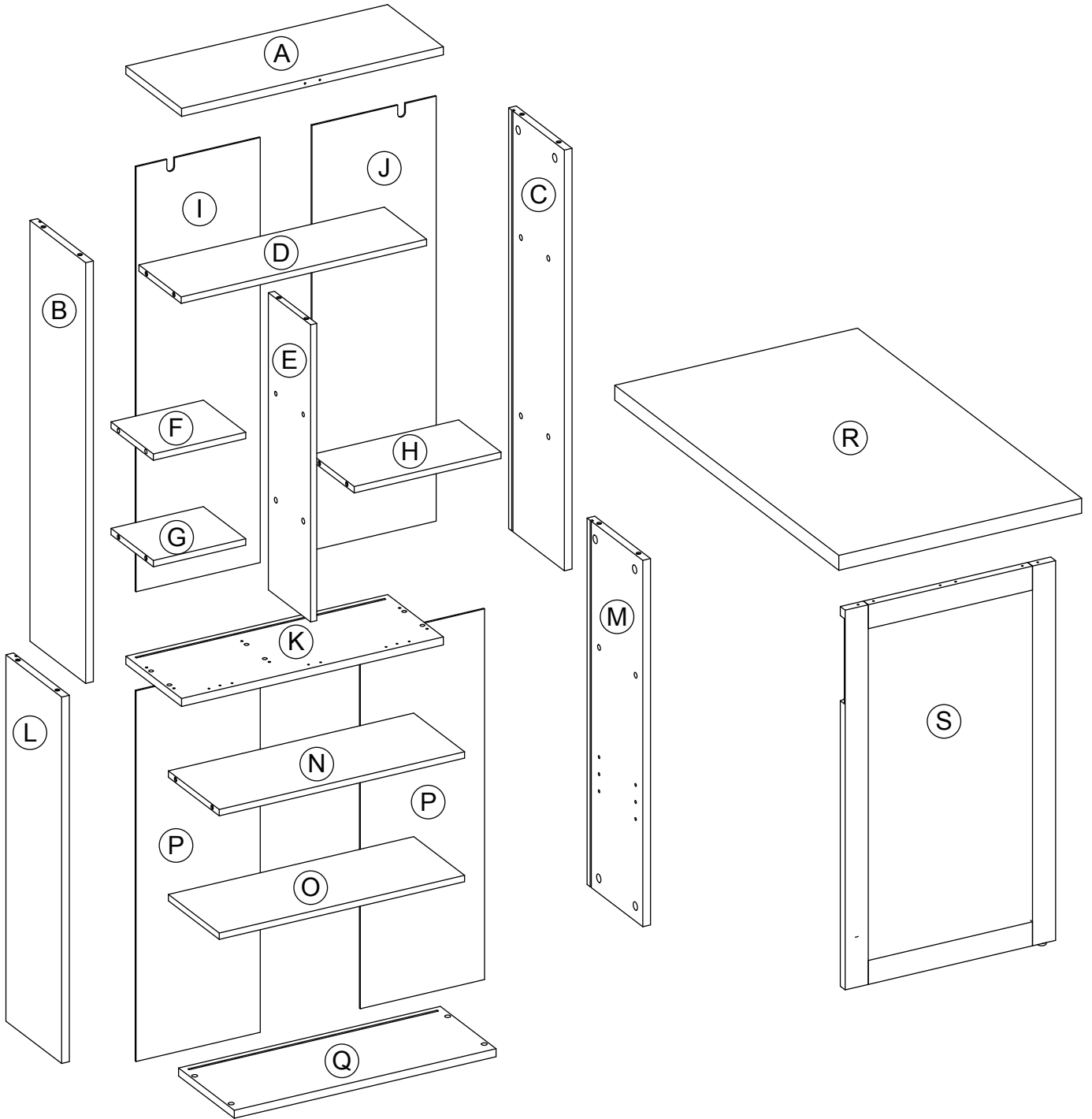
Dimension

Width 51cm

Depth 98.6cm

Height 152.3cm

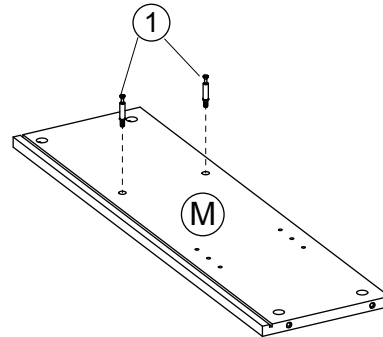
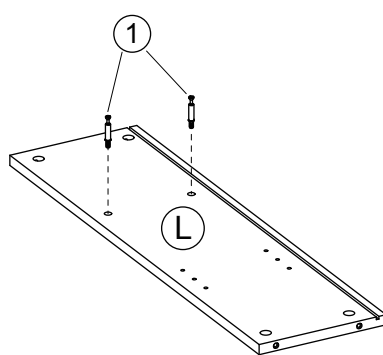
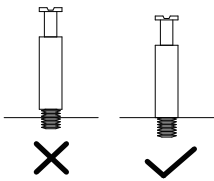
Assembly Instruction



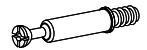
Assembly Instruction

①×30	②×30	③×10	④×3	⑤×3
⑥×1	⑦×1	⑧×4	⑨×8	⑩×4
			 Φ4x35mm	 Φ3x20mm
⑪×4	⑫×39	⑬×1	⑭×1	⑮×2
 Φ4x14mm	 Φ3x12mm	 12×5.5×680	 12×5.5×782	
⑯×2	⑰×2	⑱×2	⑲×1	

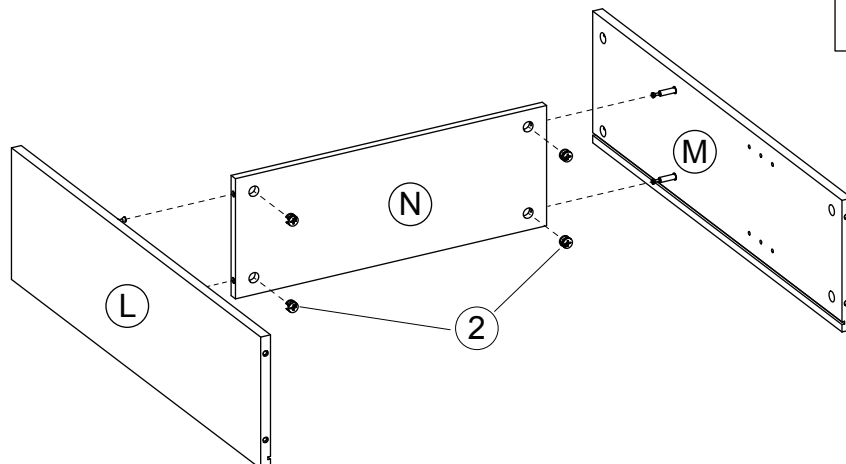
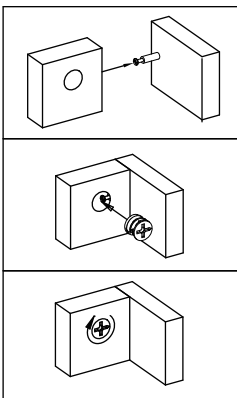
Step 1



①×4



Step 2

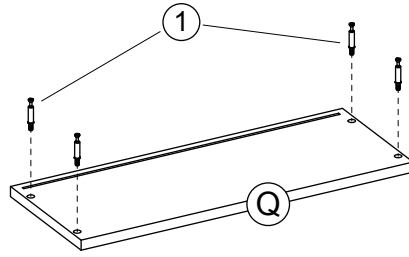


②×4

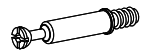


Assembly Instruction

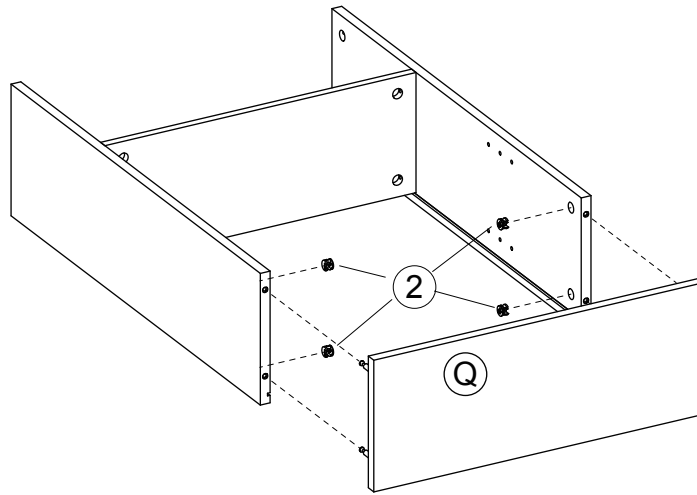
Step 3



①×4



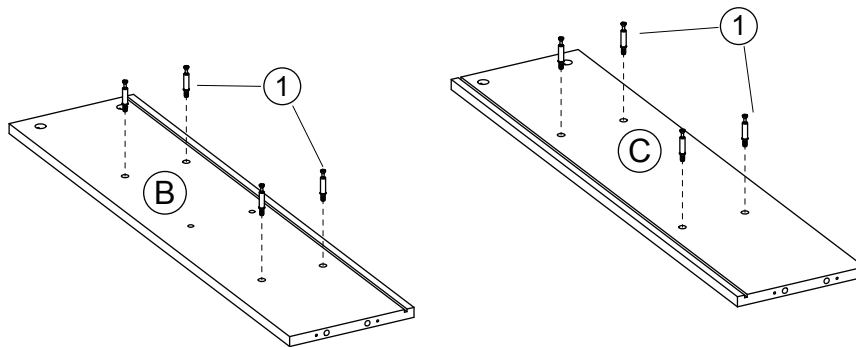
Step 4



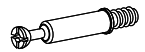
②×4



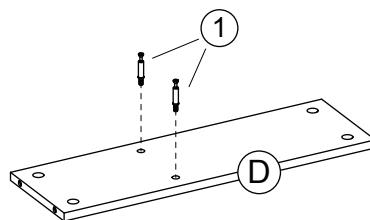
Step 5



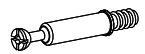
①×8



Step 6

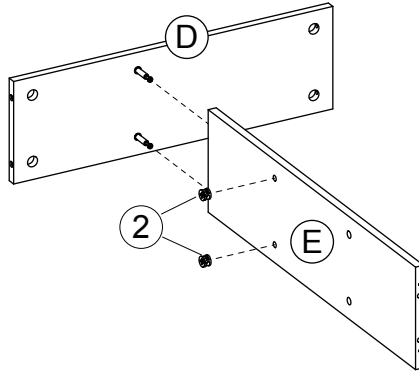


①×2



Assembly Instruction

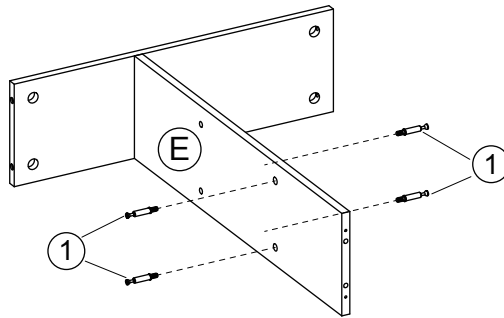
Step 7



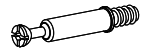
②×2



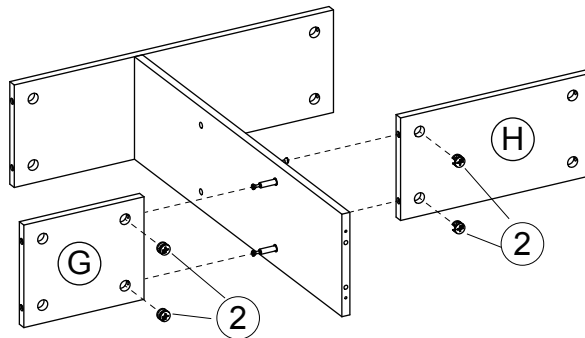
Step 8



①×4



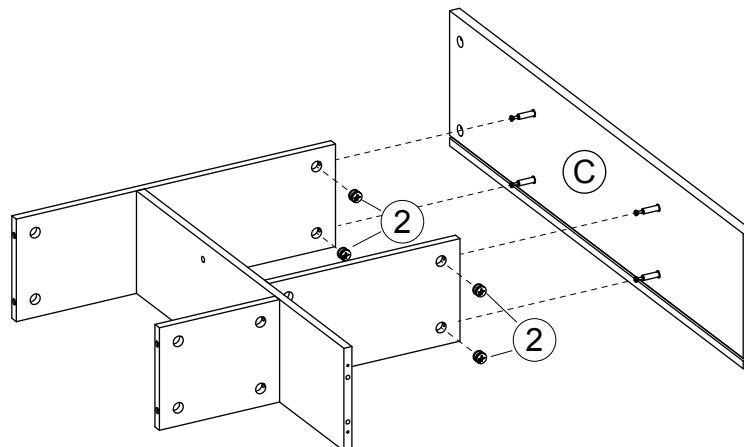
Step 9



②×4



Step 10



②×4

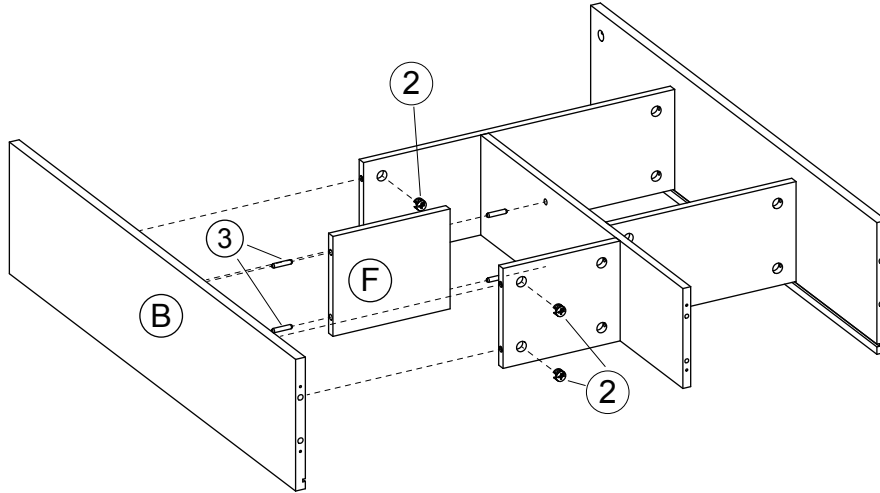
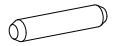


Assembly Instruction

Step 11

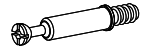
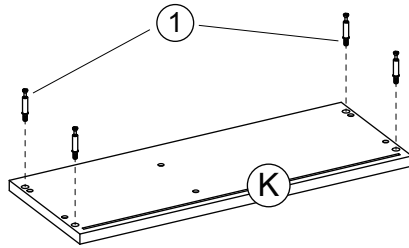
②×4

③×4



Step 12

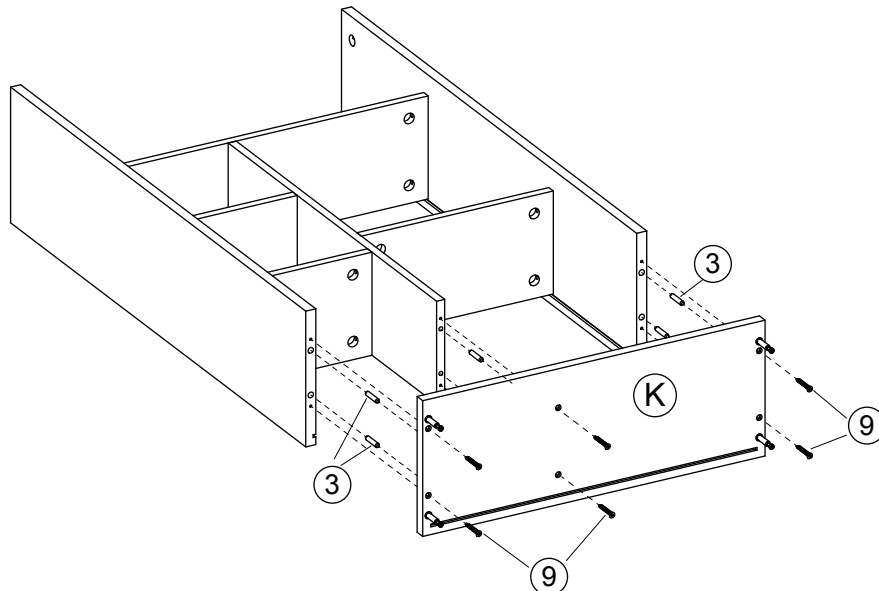
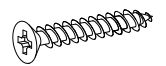
①×4



Step 13

③×6

⑨×6



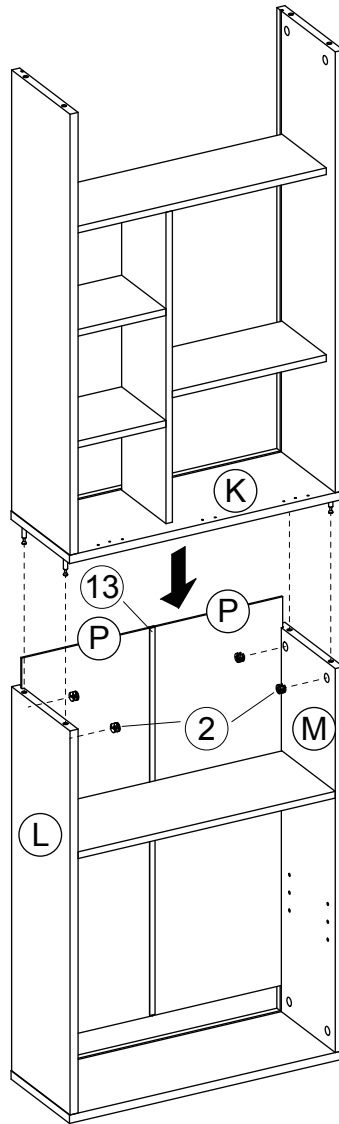
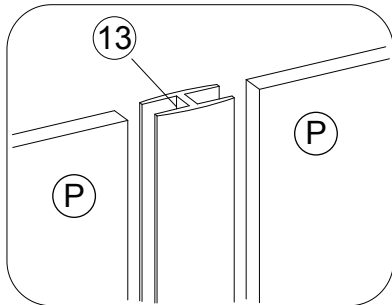
Assembly Instruction

Step 14

②×4

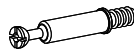


⑬×1



Step 15

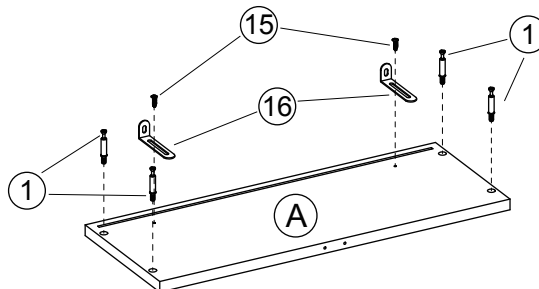
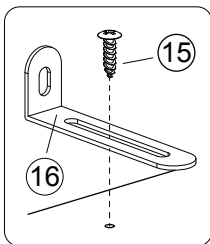
①×4



⑮×2



⑯×2



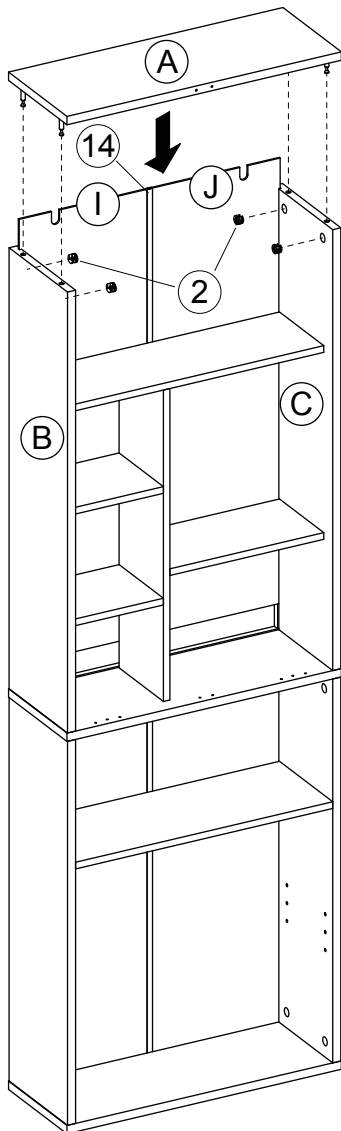
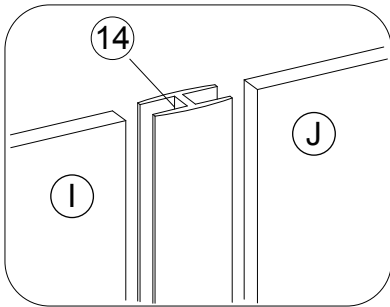
Assembly Instruction

Step 16

②×4



⑭×1

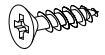


Step 17

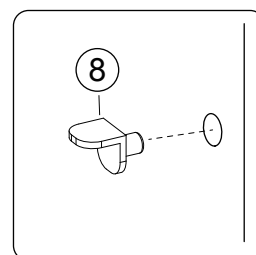
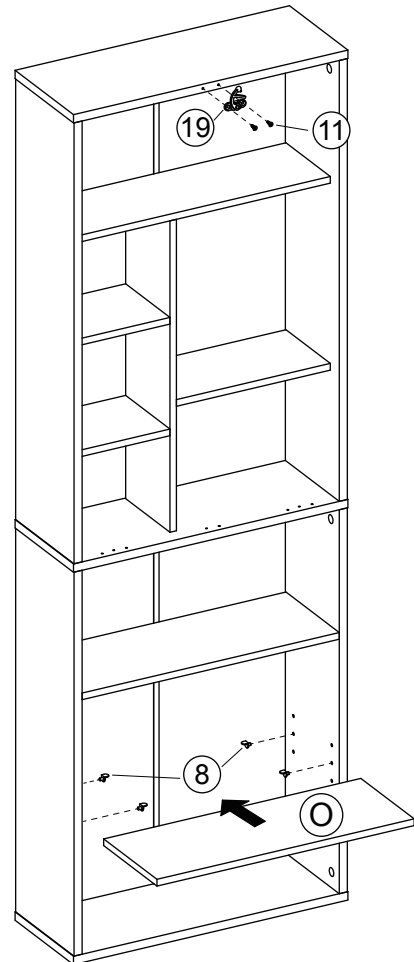
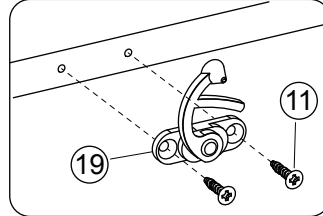
⑧×4



⑪×2

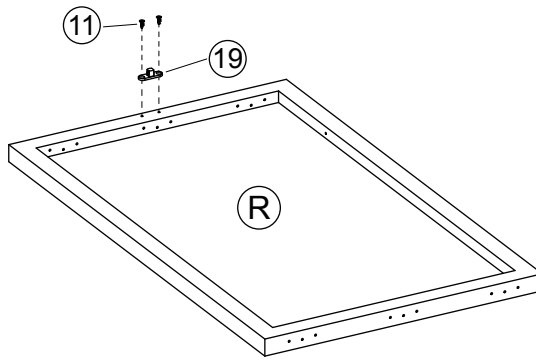
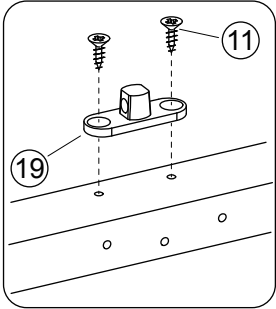


⑲×1

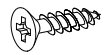


Assembly Instruction

Step 18



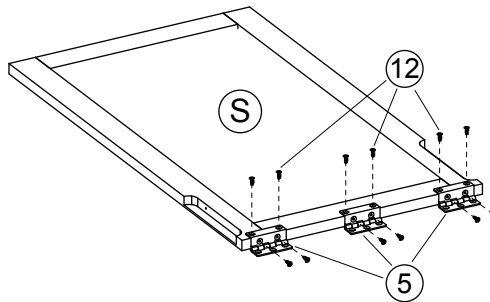
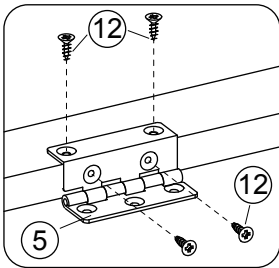
⑪×2



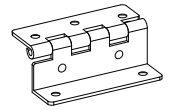
⑲×1



Step 19



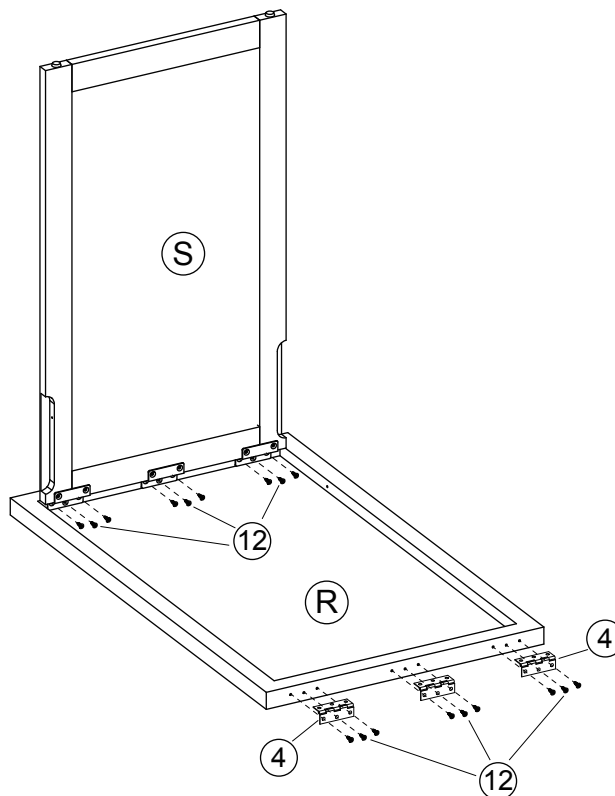
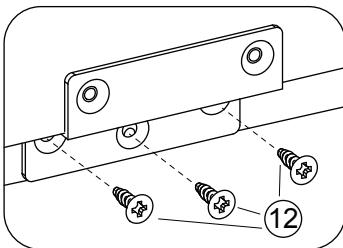
⑤×3



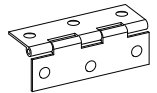
⑫×12



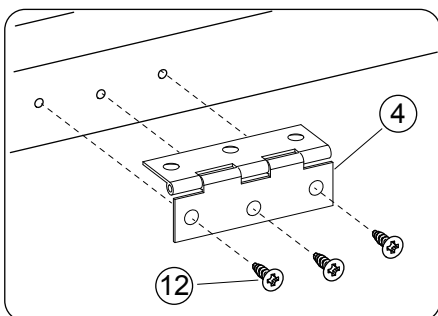
Step 20



④×3

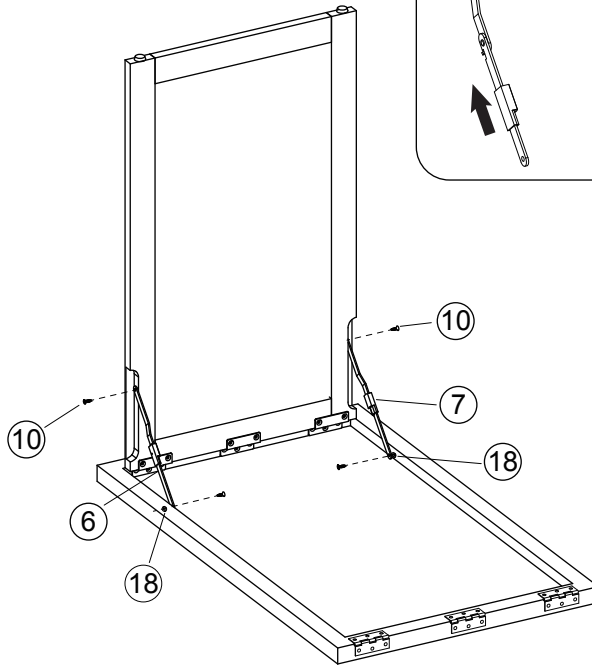
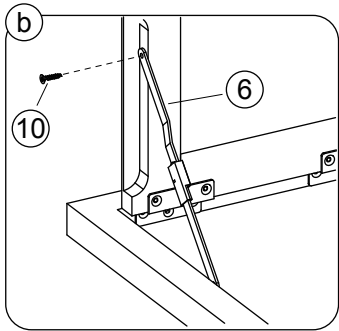
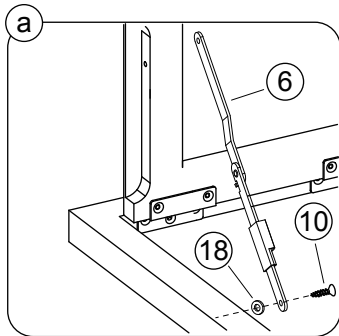


⑫×18

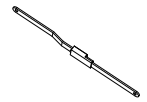


Assembly Instruction

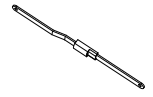
Step 21



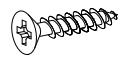
⑥×1



⑦×1



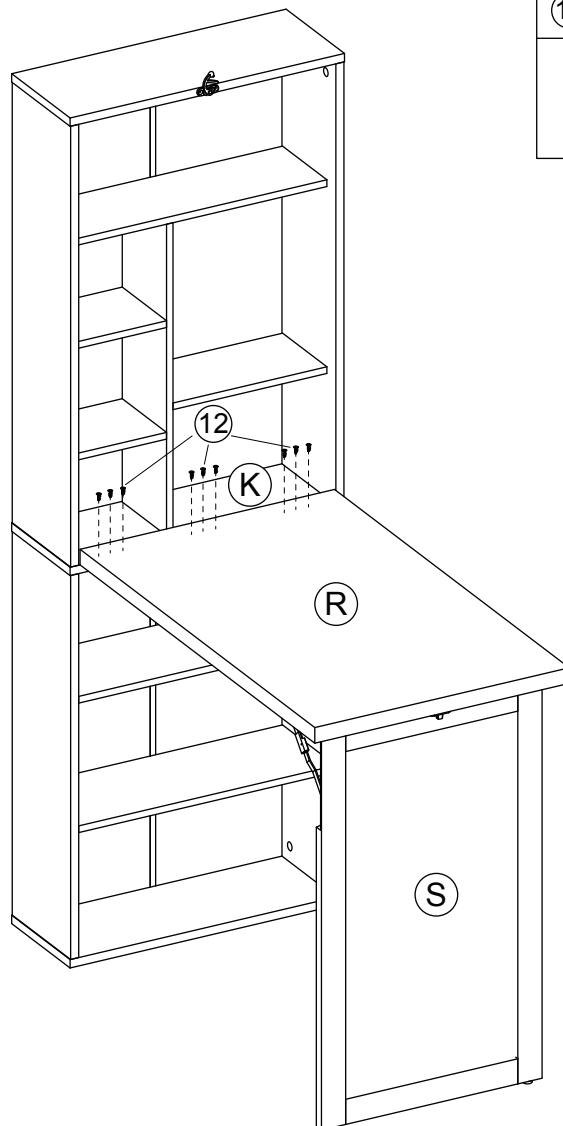
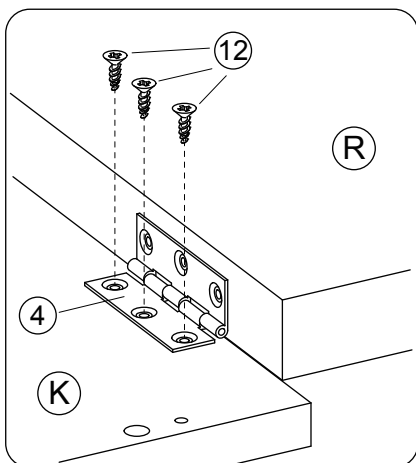
⑩×4



⑱×2



Step 22



⑫×9

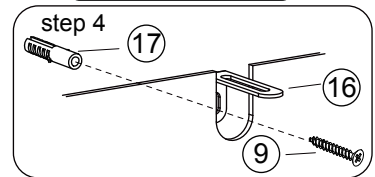
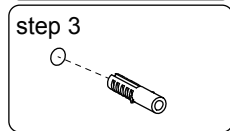
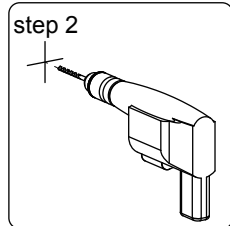
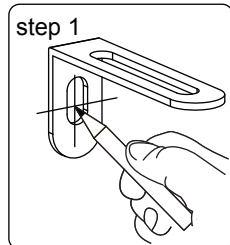
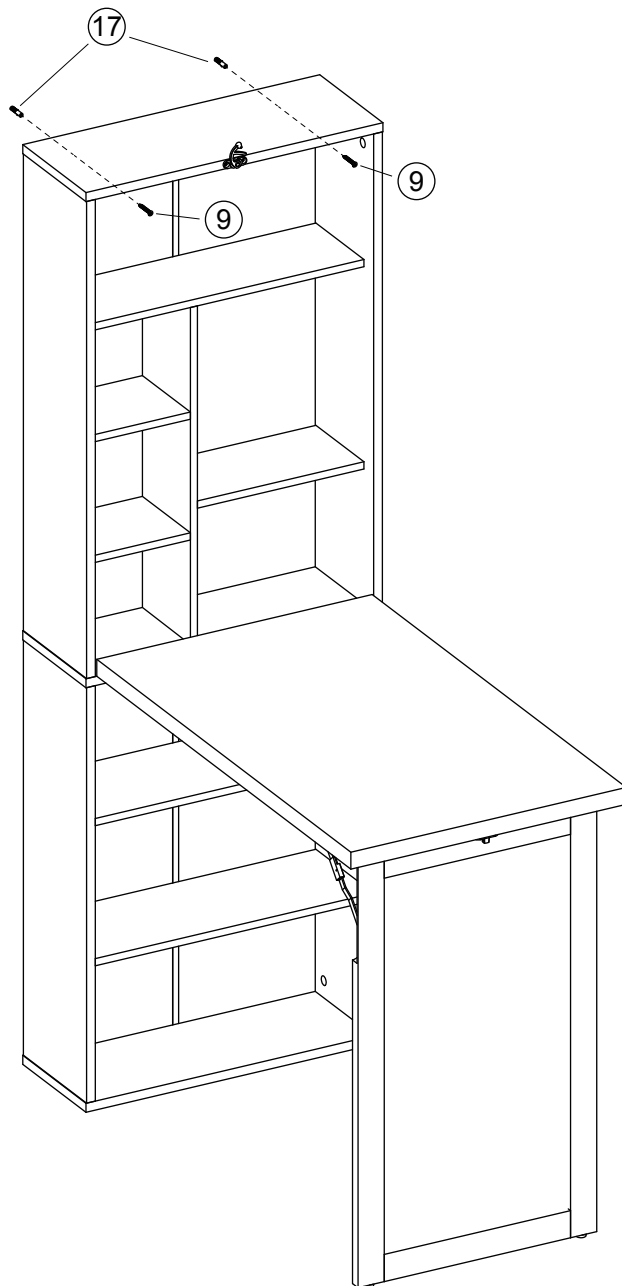
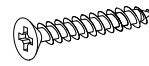


Assembly Instruction

Step 23

⑨×2

⑰×2



Assembly Instruction

Step 24

