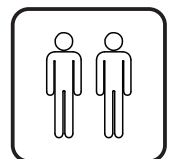
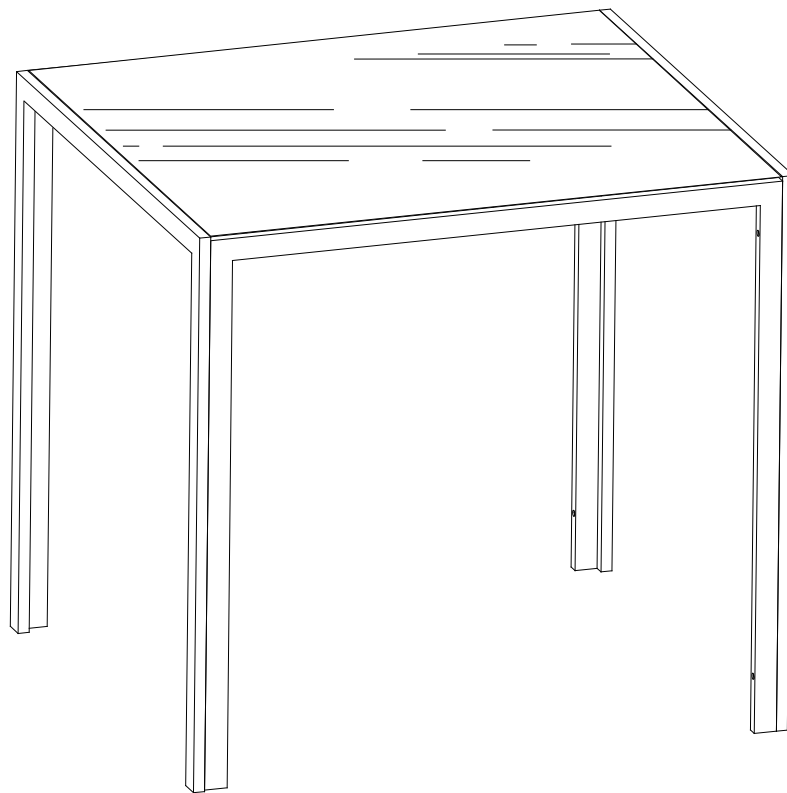




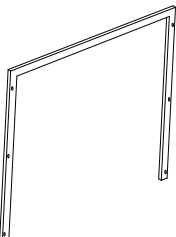
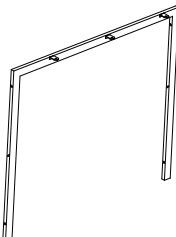
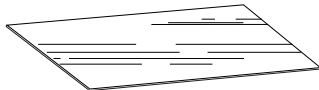
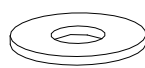
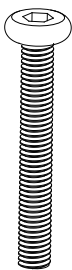

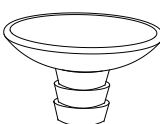
INc4c015_GL

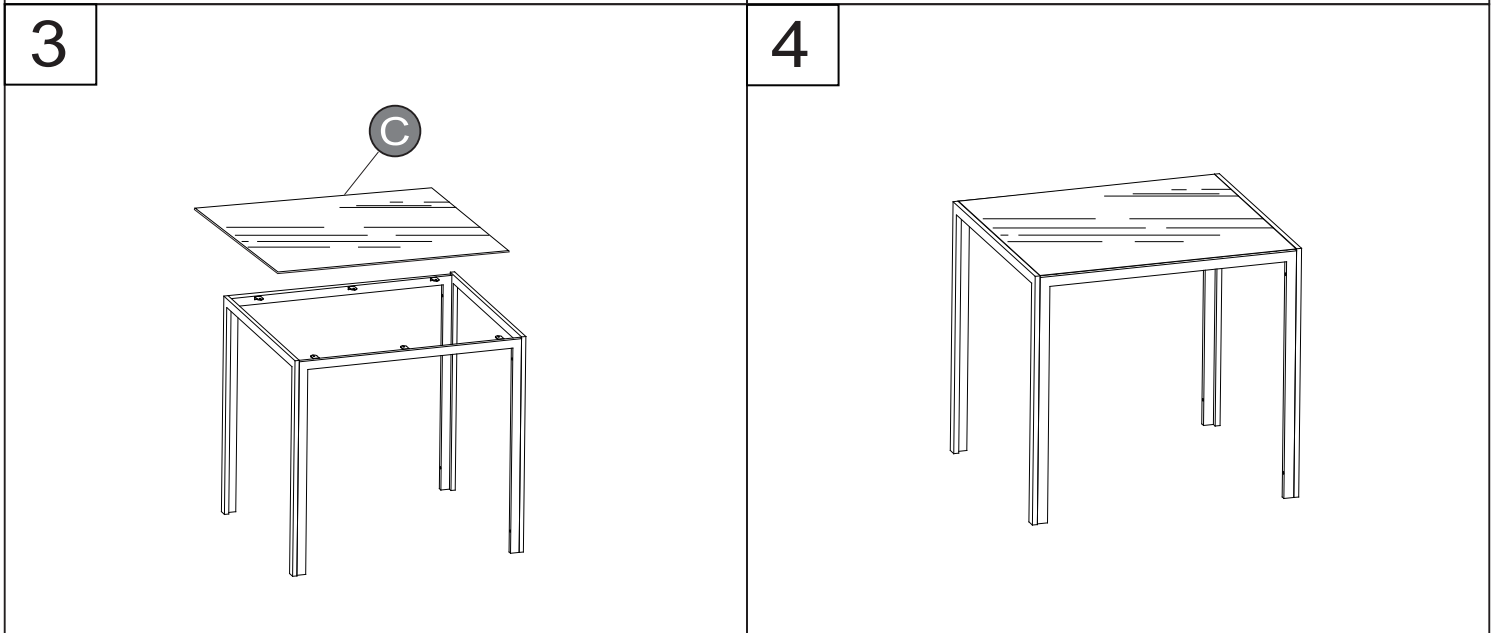
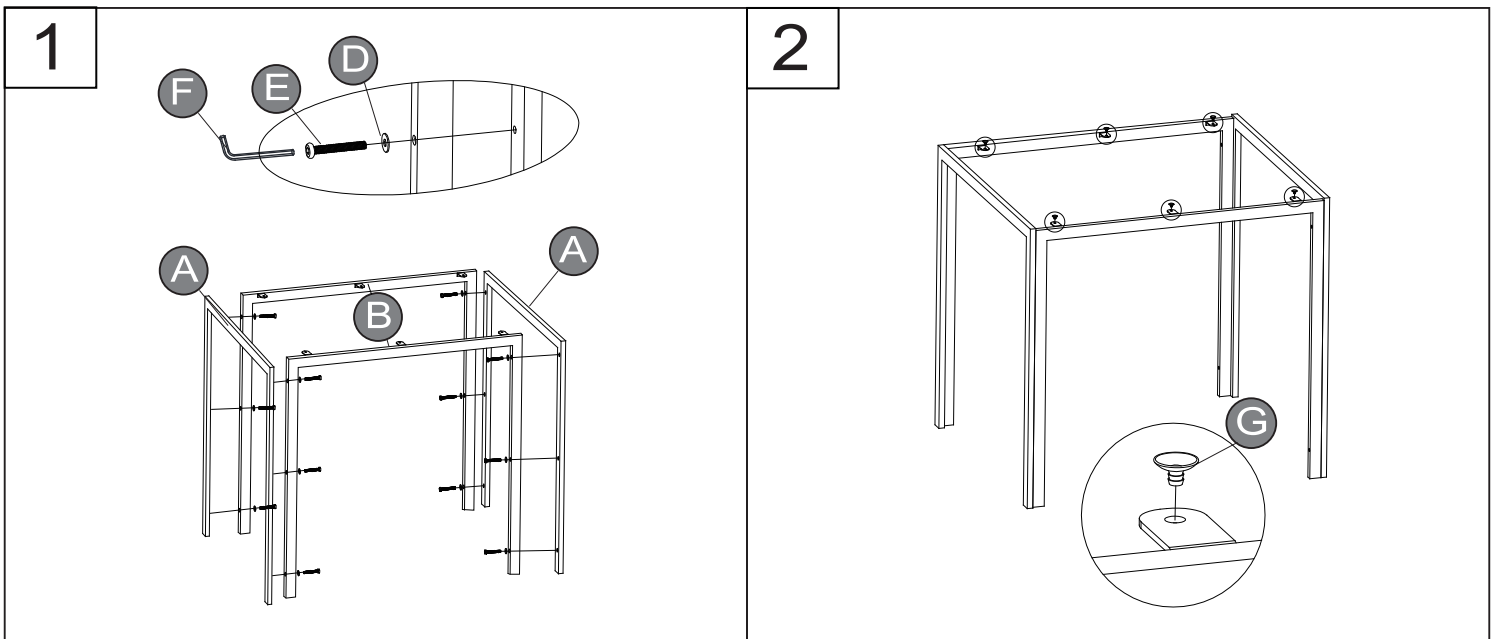
835-480



IMPORTANT, RETAIN FOR FUTURE REFERENCE: READ CAREFULLY

ASSEMBLY & INSTRUCTION MANUAL

| | | | |
|--|---|--|--|
| <p>A</p>  <p>2pcs</p> | <p>B</p>  <p>2pcs</p> | <p>C</p>  <p>1pc</p> | <p>D</p>  <p>$\Phi 14 \times \Phi 6 \times 1$ 12pcs</p> |
| <p>E</p>  <p>M6x45 12pcs</p> | <p>F</p>  <p>S5 1pc</p> | <p>G</p>  <p>6pcs</p> | |



US



001-877-644-9366
customerservice@aosom.com

CA



001-855-537-6088
customerservice@aosom.ca

UK



0044-800-240-4004
enquiries@mhstar.co.uk

DE



0049-(0)40-88307530
service@aosom.de

FR



0033-1-84166106
contact@aosom.fr

ES



0034-931294512
atencioncliente@aosom.es

IT



0039-0249471447
clienti@aosom.it