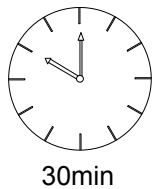
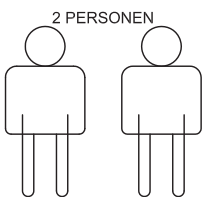
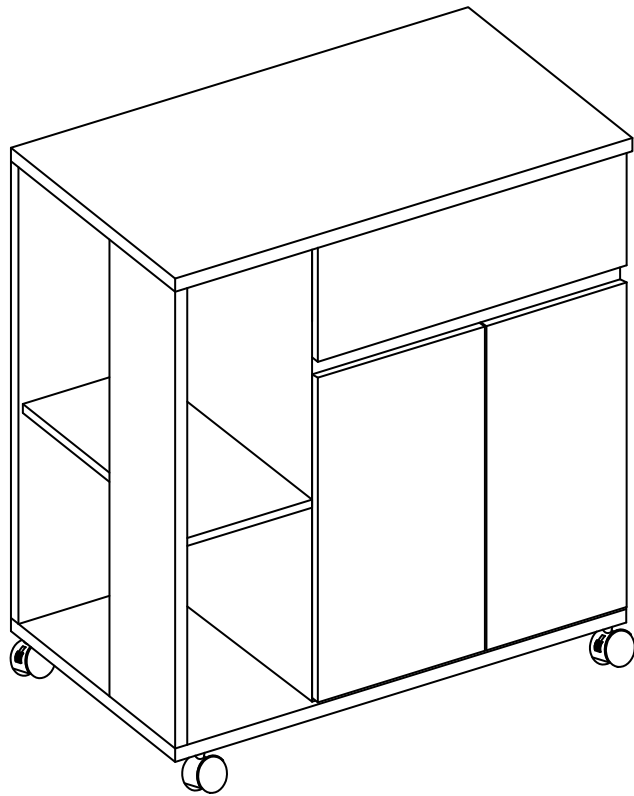
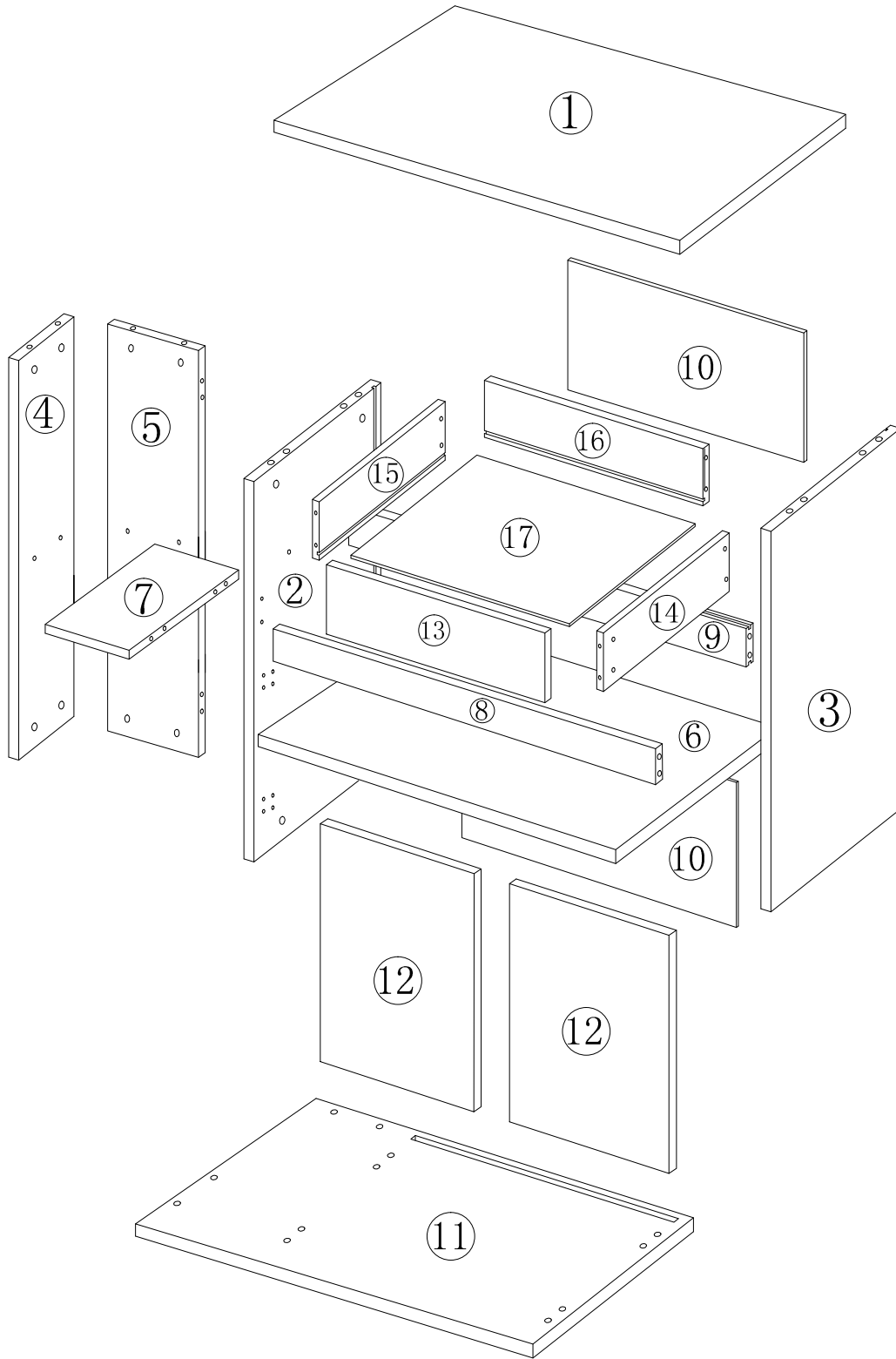
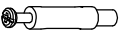






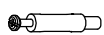




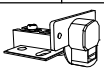


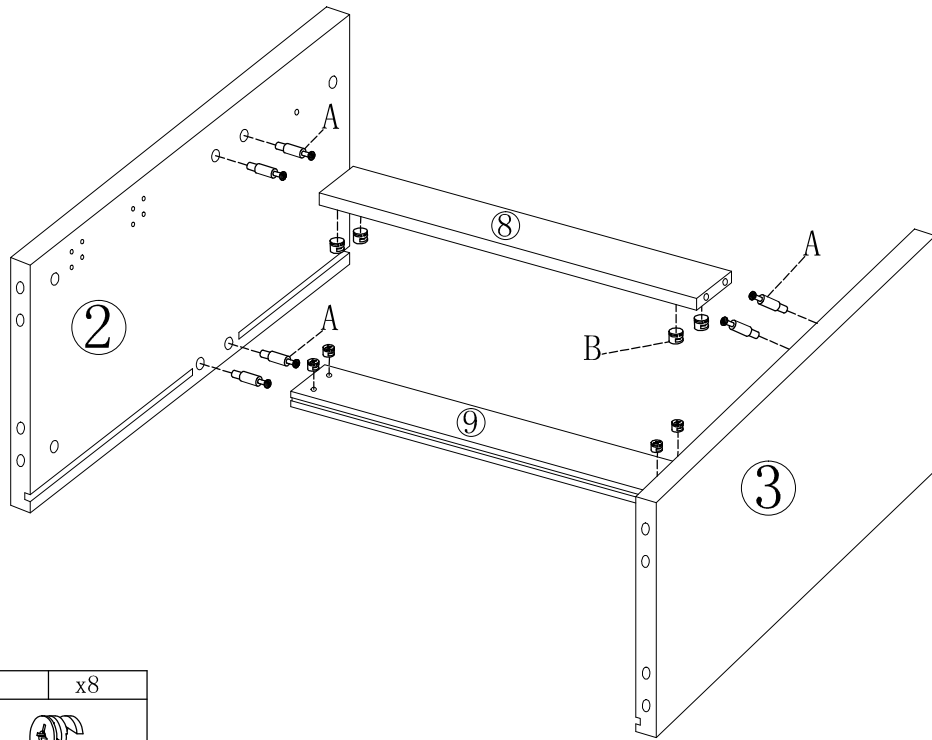


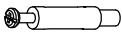

801-078#

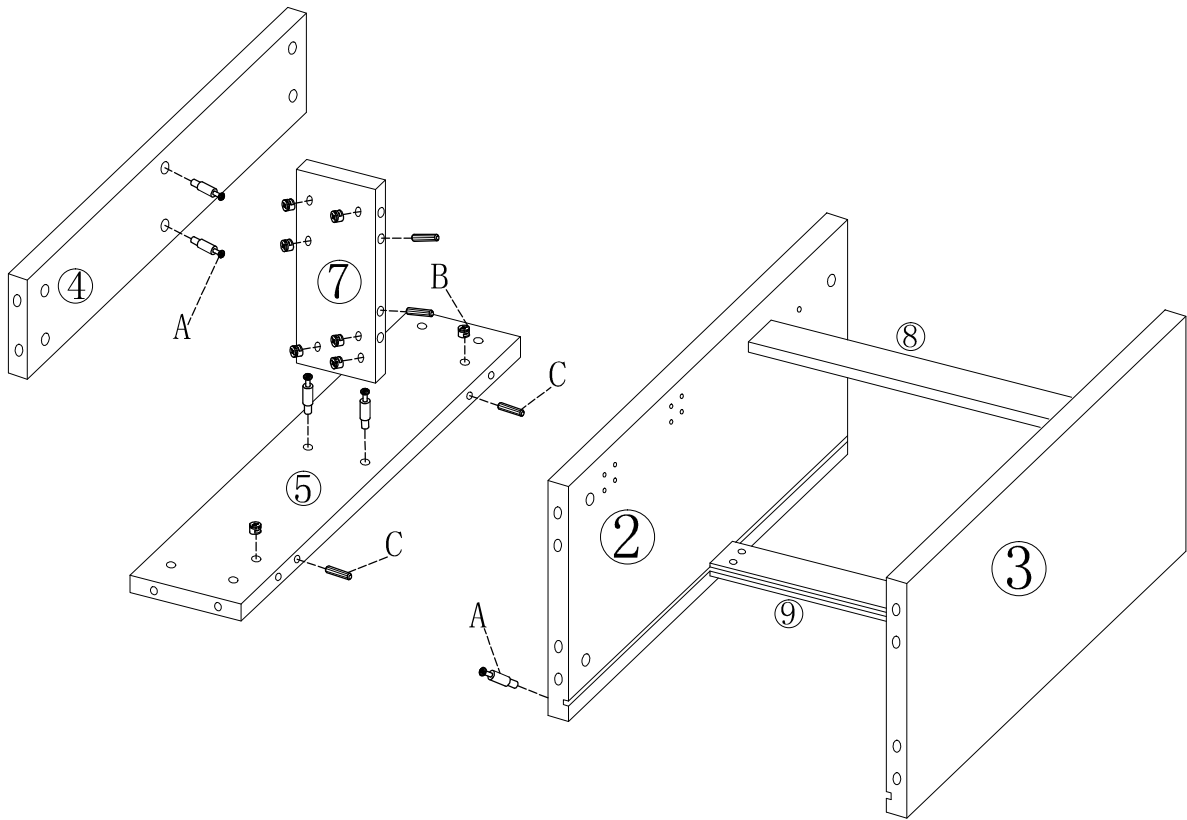


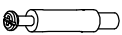

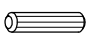


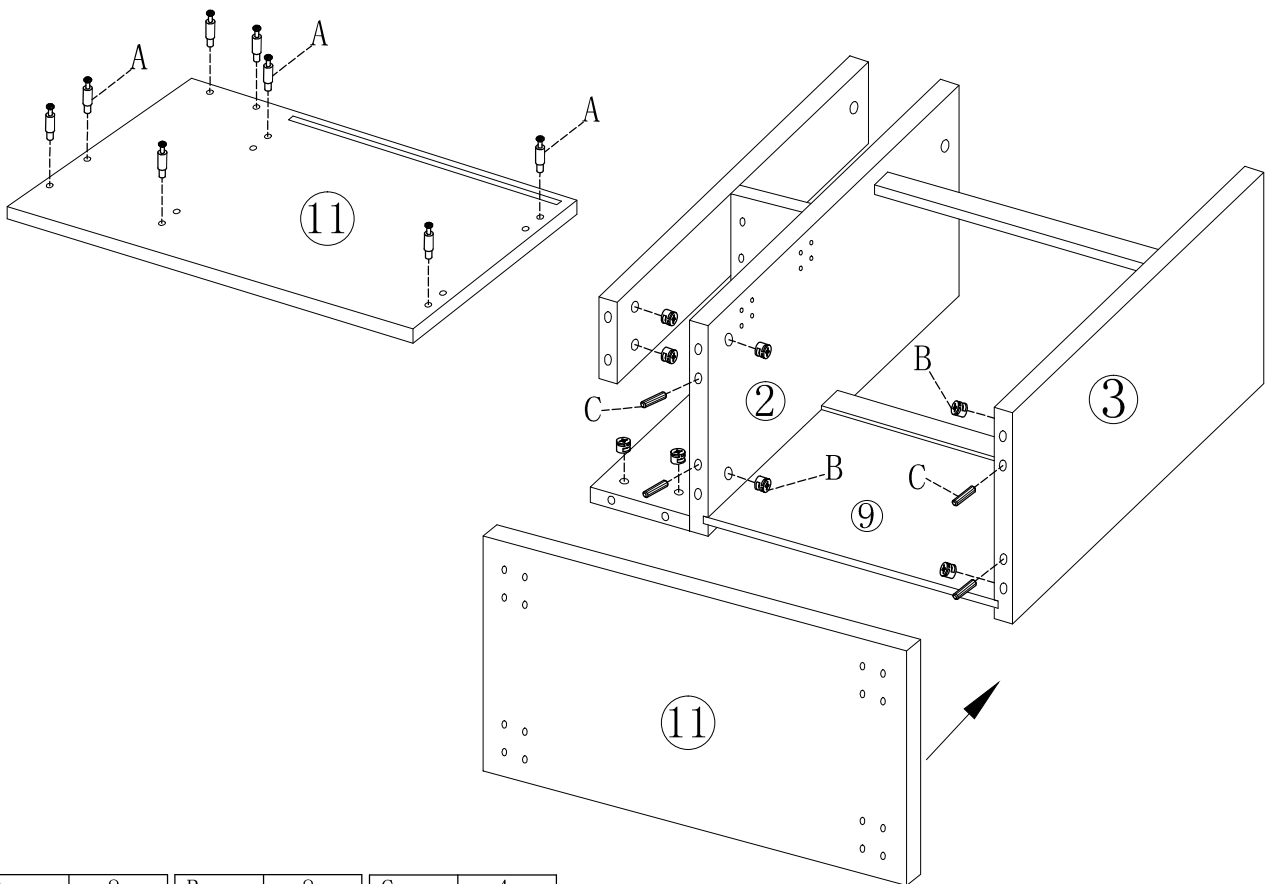
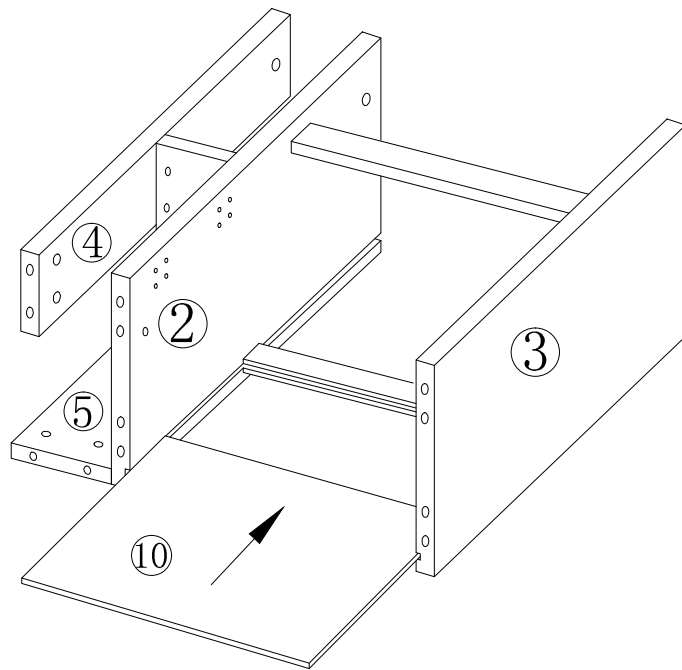
A	x32	B	x32	C	x12	D	x48	E	x2	F	x2		
													
Ø6x35mm		Ø15x11mm		Ø8x30mm		3.5*12mm							
G	x2	H	x4	I	x4	J	x4	K	x2	L	x4	M	x4
													
285x26x8mm		Ø6x25mm		Ø12x10mm		M4x35mm		285x18x6mm					

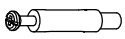

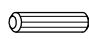


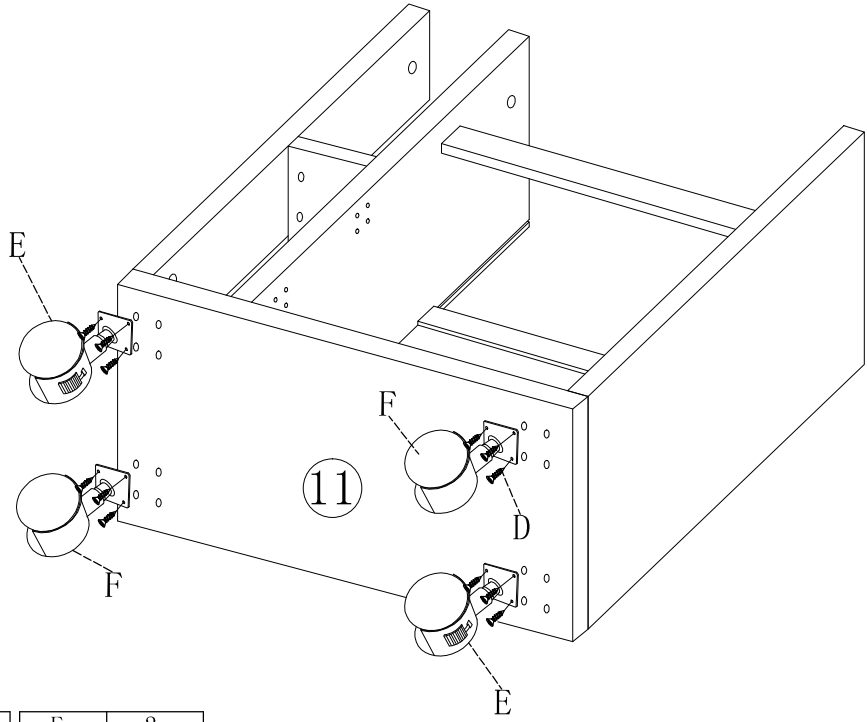
A	x8	B	x8
			
Ø6x35mm		Ø15x11mm	






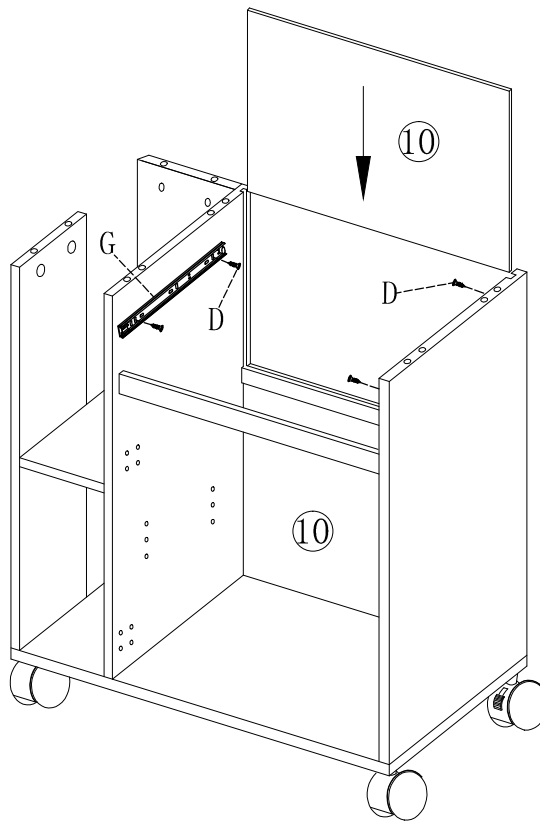
A	x8	B	x8	C	x4
					
Ø6x35mm		Ø15x11mm		Ø8x30mm	





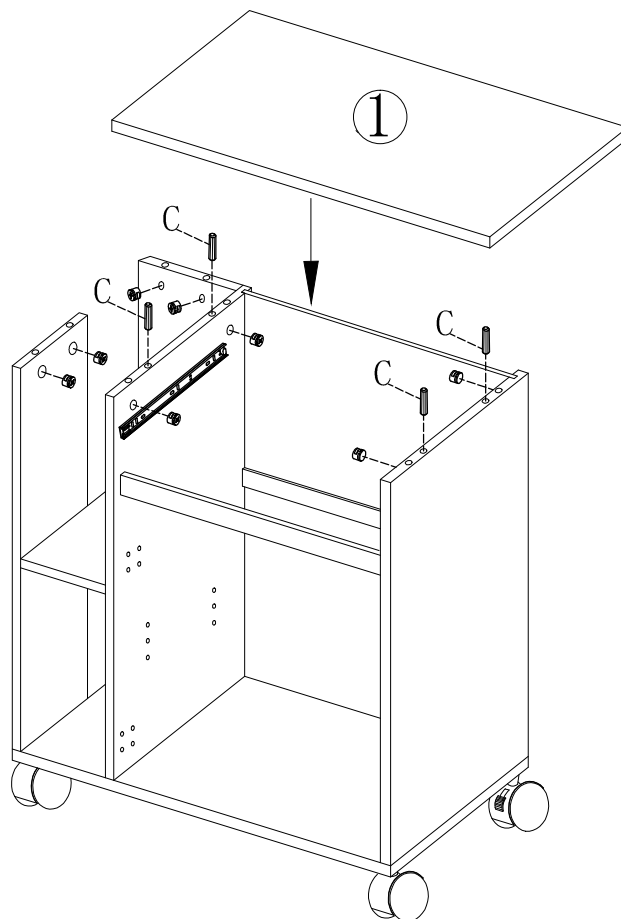
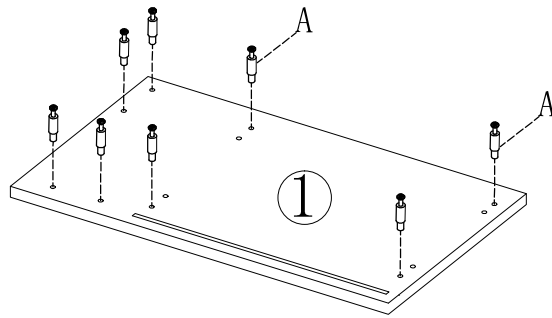
A	x8	B	x8	C	x4
					
Ø6x35mm		Ø15x11mm		Ø8x30mm	

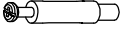




D	x16	E	x2	F	x2
					
3.5*12mm					

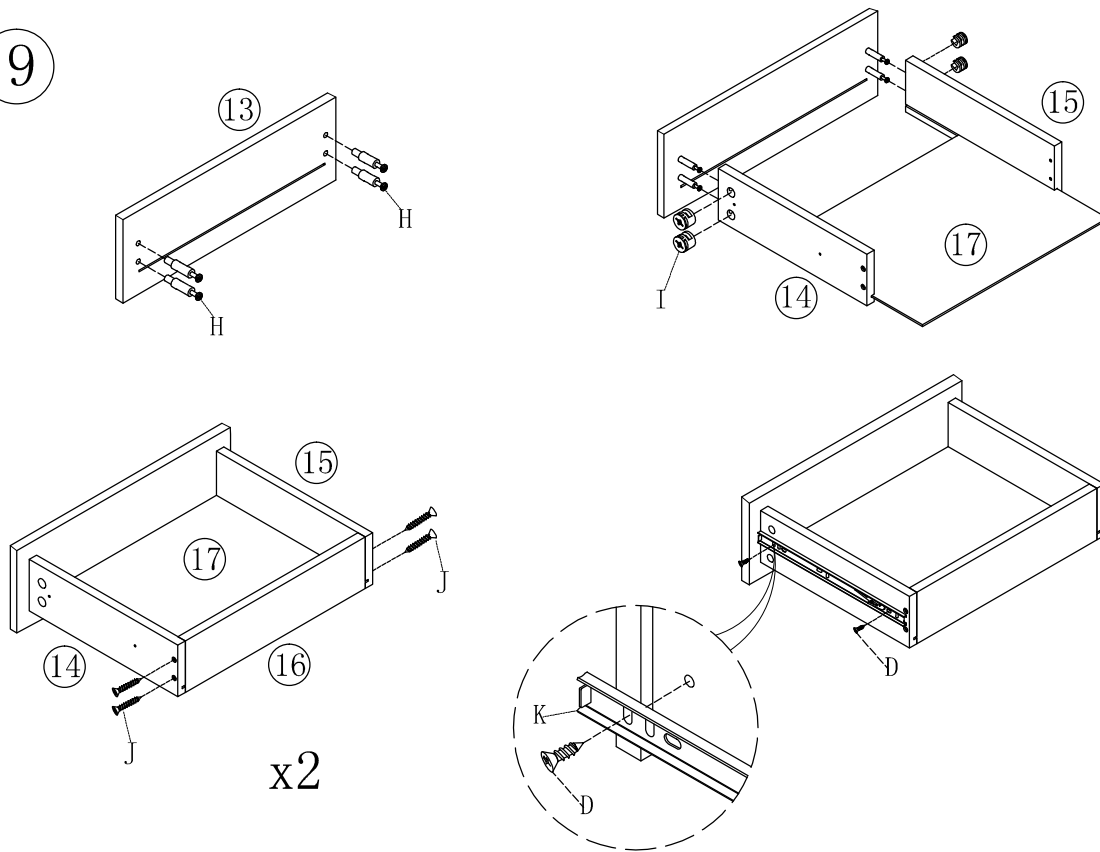


D	x4	G	x2
			
3.5*12mm		285x26x8mm	


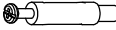





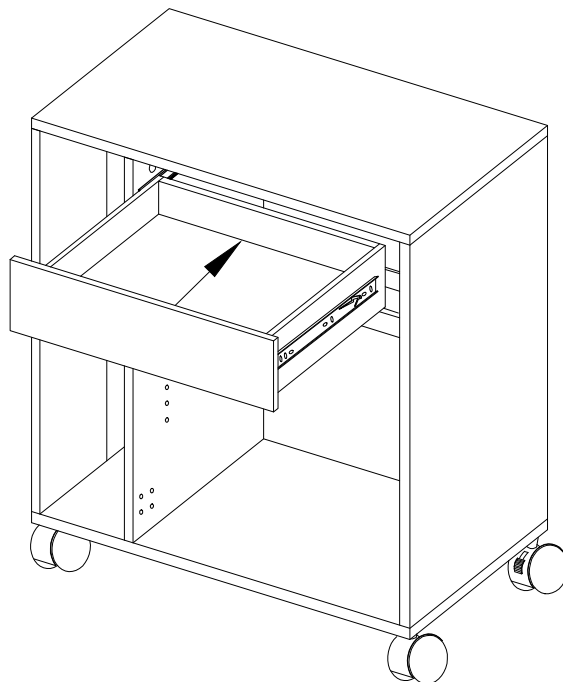
A	x8	B	x8	C	x4
					
Ø6x35mm		Ø15x11mm		Ø8x30mm	

9

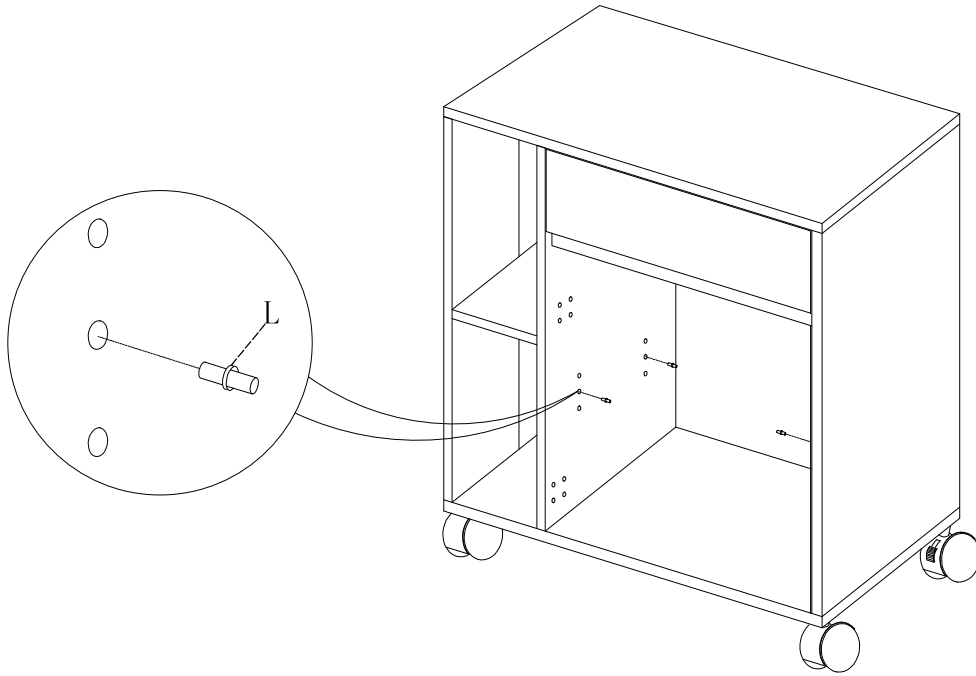



x2

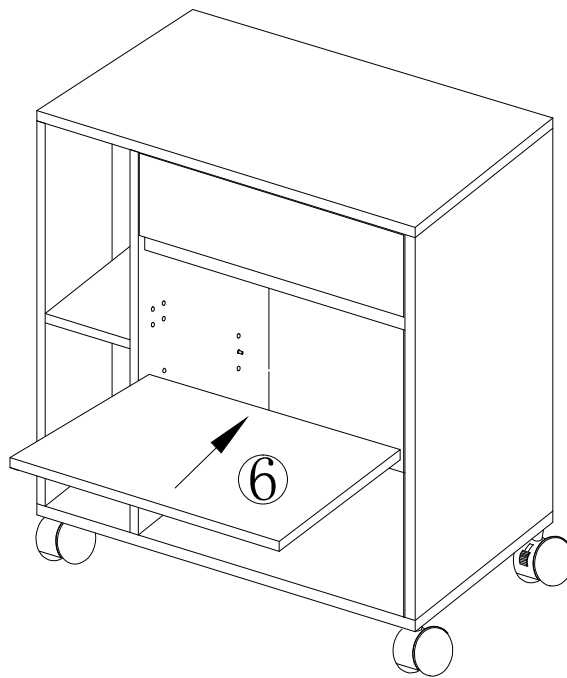
D	x4	H	x4	I	x4	J	x4	K	x2
									
3.5*12mm		Ø6x25mm		Ø12x10mm		M4x35mm		285x18x6mm	



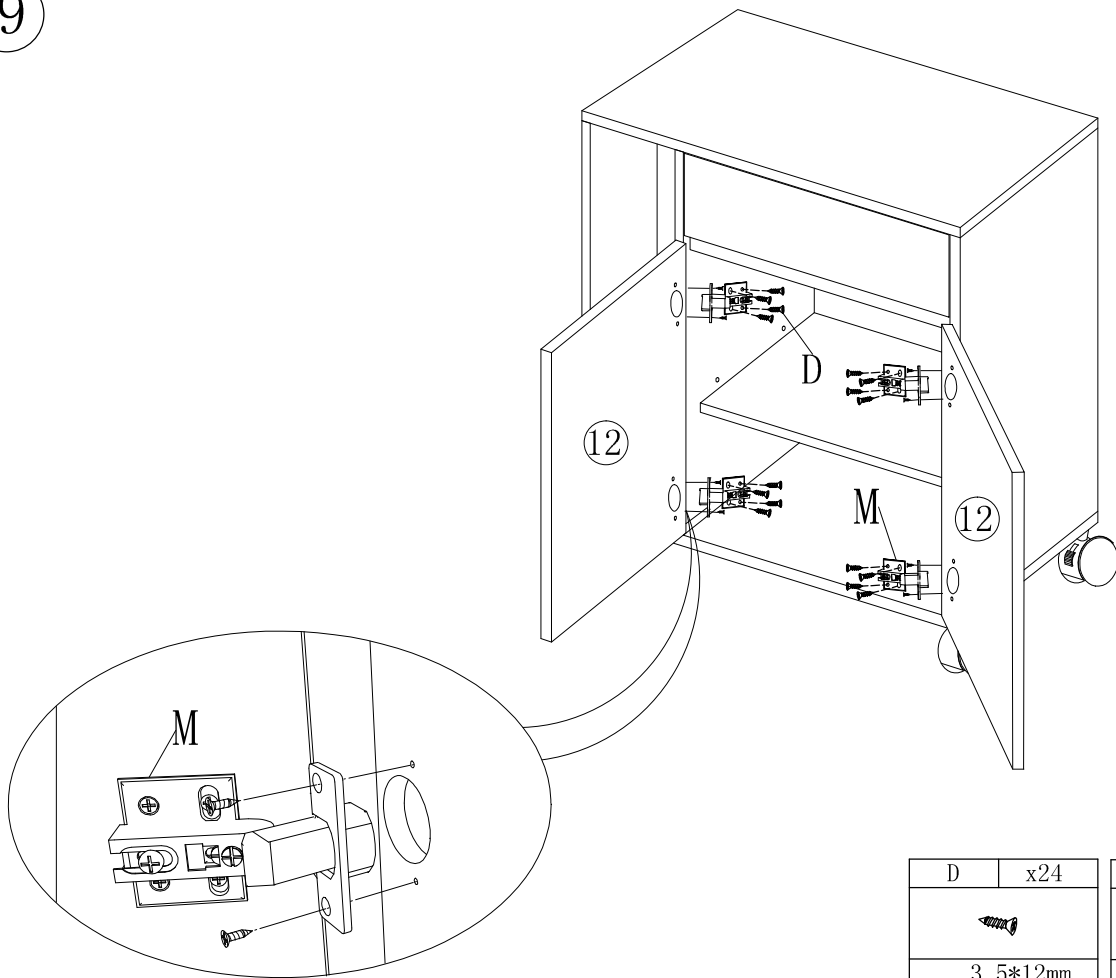
9


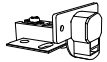


L	x4
	



9



D	x24	M	x4
			
3.5*12mm			

