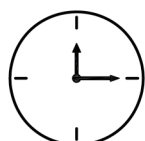
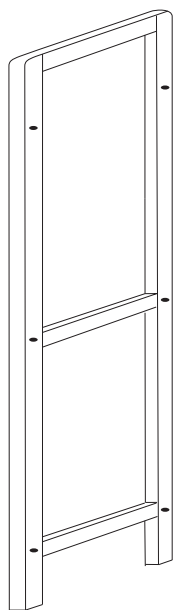


2 PERS.



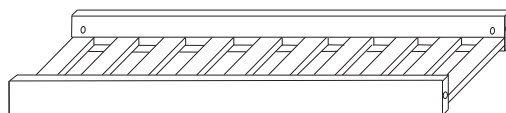
60 MIN

1



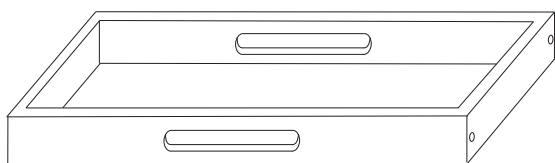
2pc

2



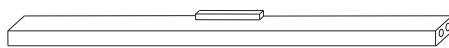
2pc

3



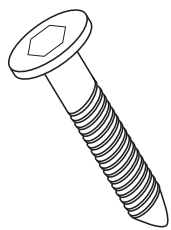
1pc

4



2pc

A



12pc

B



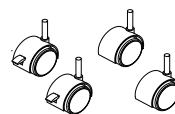
8pc

C



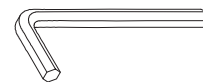
4pc

D



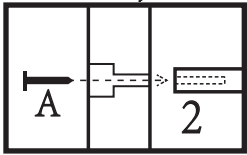
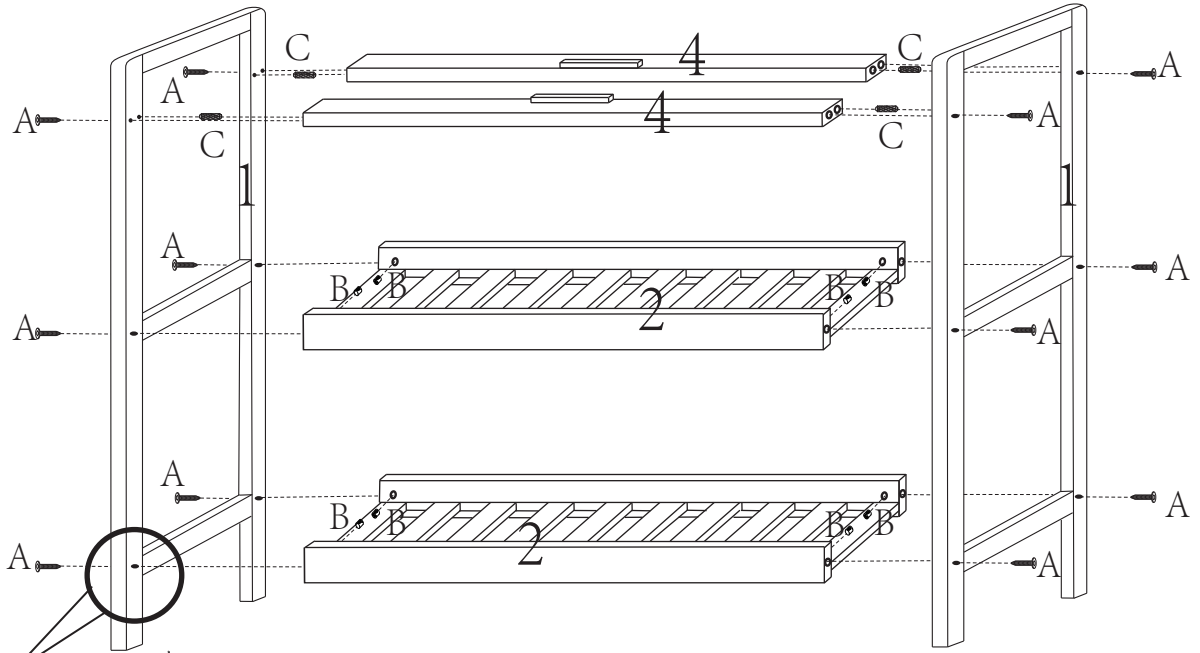
1pc

E



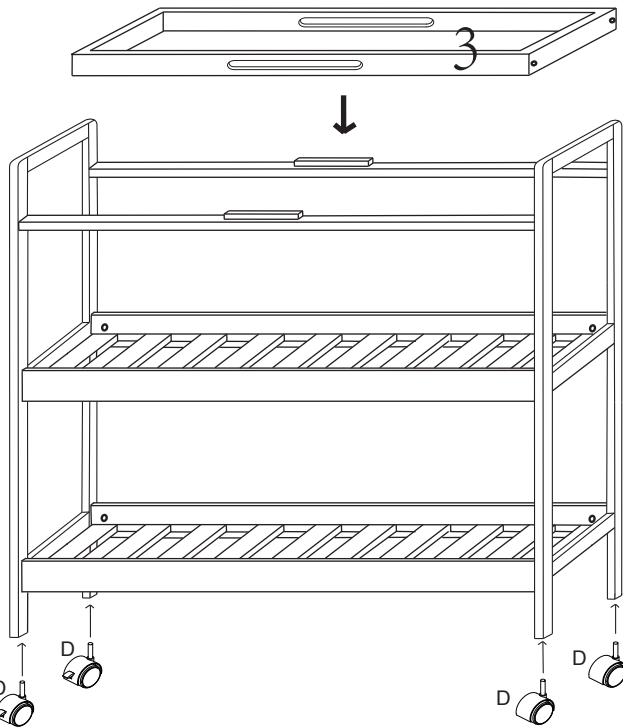
1pc

1



A	x 12	B	x 8	C	x 4	E	x 1
5x 40mm		6x 10mm		6x 30mm			

2



D	x 1

3

