



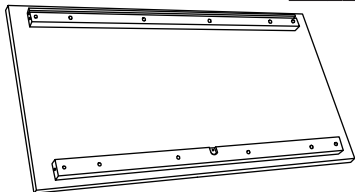
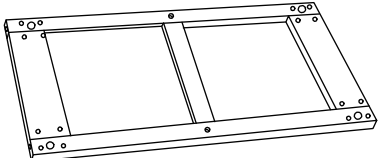
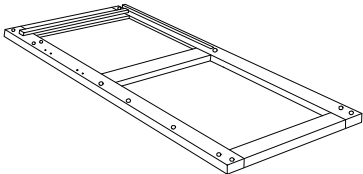
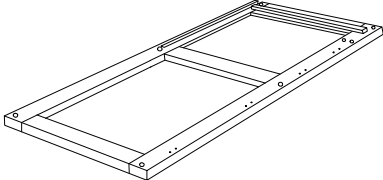
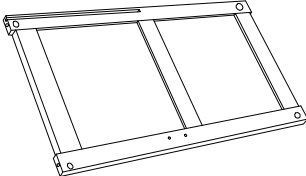
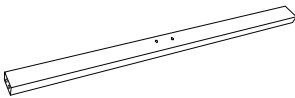
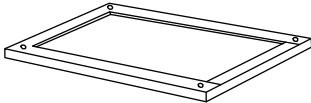
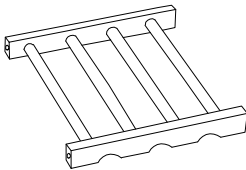
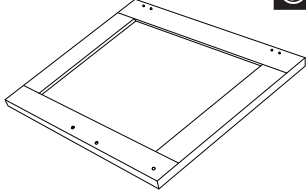
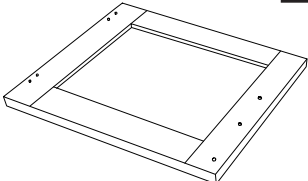
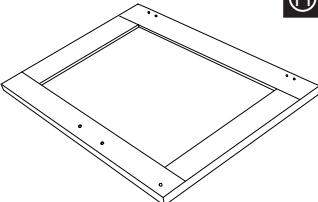
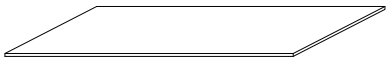








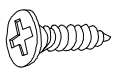
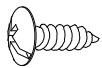
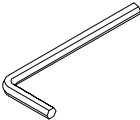
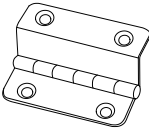

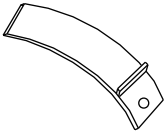
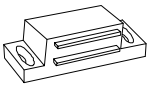


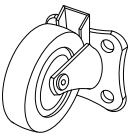
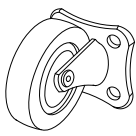
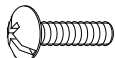
INccd079\_GL

**801-179**



READ AND SAVE THIS INSTRUCTIONS FOR FUTURE USE

**ASSEMBLY & INSTRUCTION MANUAL**

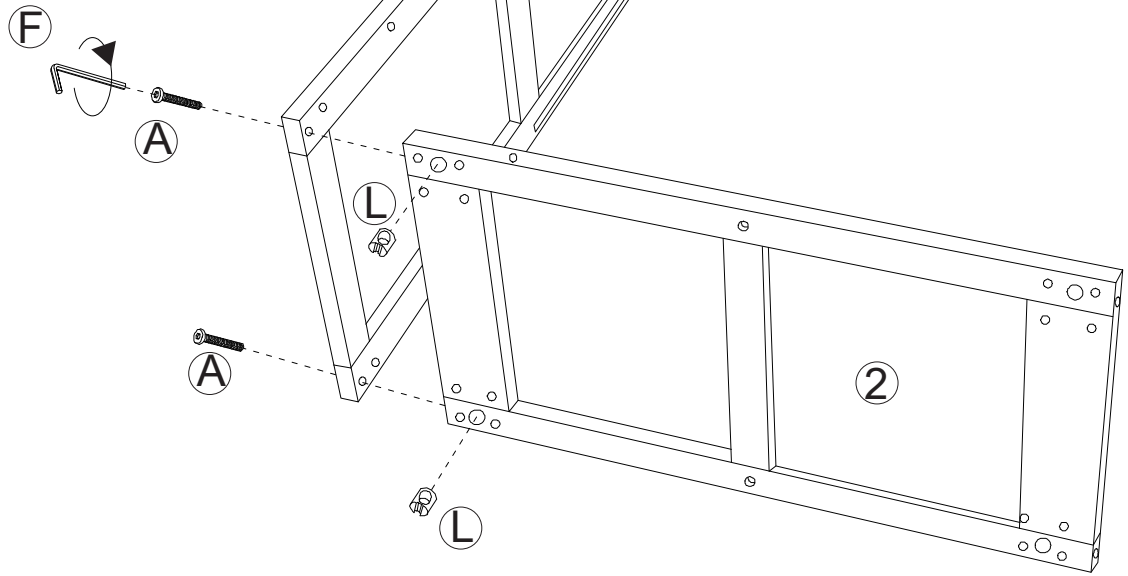
|  |  |  |   |  |   |
|--|--|--|---|--|---|
| <br><b>① x 1</b>                          | <br><b>② x 1</b>                          | <br><b>③ x 1</b>                        |   |  |   |
| <br><b>④ x 1</b>                          | <br><b>⑤ x 1</b>                          | <br><b>⑥ x 1</b>                        |   |  |   |
| <br><b>⑦ x 1</b>                          | <br><b>⑧ x 3</b>                          | <br><b>⑨ x 1</b>                        |   |  |   |
| <br><b>⑩ x 1</b>                         | <br><b>⑪ x 1</b>                         | <br><b>⑫ x 1</b>                       |   |  |   |
| <br><b>⑬ x 1</b>                        | <br><b>⑭ x 1</b>                        | <br><b>⑮ x 1</b>                      |   |  |   |
| <br><b>⑯ x 1</b>                        | <br><b>⑰ x 2</b>                        | <br><b>Ⓐ x 16</b><br>M6*45<br>+1(spare) | <br><b>Ⓑ x 8</b><br>M3*25<br>+1(spare) | <br><b>Ⓒ x 16</b><br>M6*30<br>+1(spare) |   |
| <br><b>Ⓓ x 32</b><br>M3*12<br>+1(spare) | <br><b>Ⓔ x 16</b><br>M4*12<br>+1(spare) | <br><b>Ⓕ x 1</b>                        | <br><b>Ⓖ x 6</b>                         | <br><b>Ⓗ x 3</b>                        | <br><b>Ⓘ x 1</b>                       |
| <br><b>Ⓙ x 2</b>                        | <br><b>Ⓚ x 4</b>                        | <br><b>Ⓛ x 16</b>                       | <br><b>Ⓜ x 2</b>                         | <br><b>Ⓝ x 2</b>                        | <br><b>Ⓞ x 8</b><br>M4*16<br>+1(spare) |

A x 2

L x 2

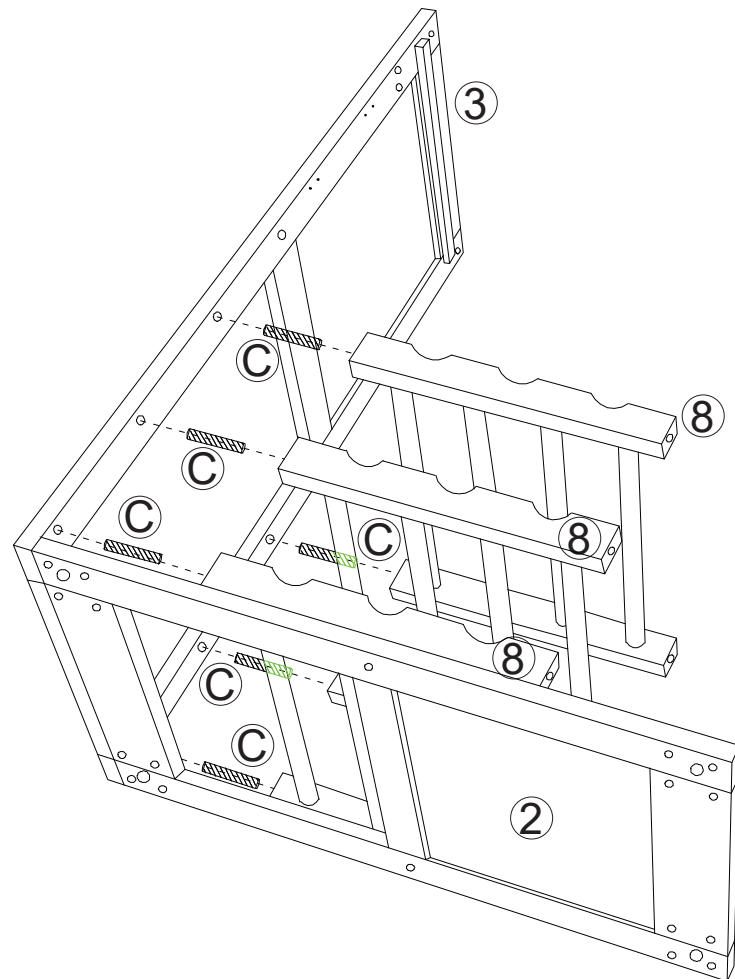
M6\*45

F x 1



C x 6

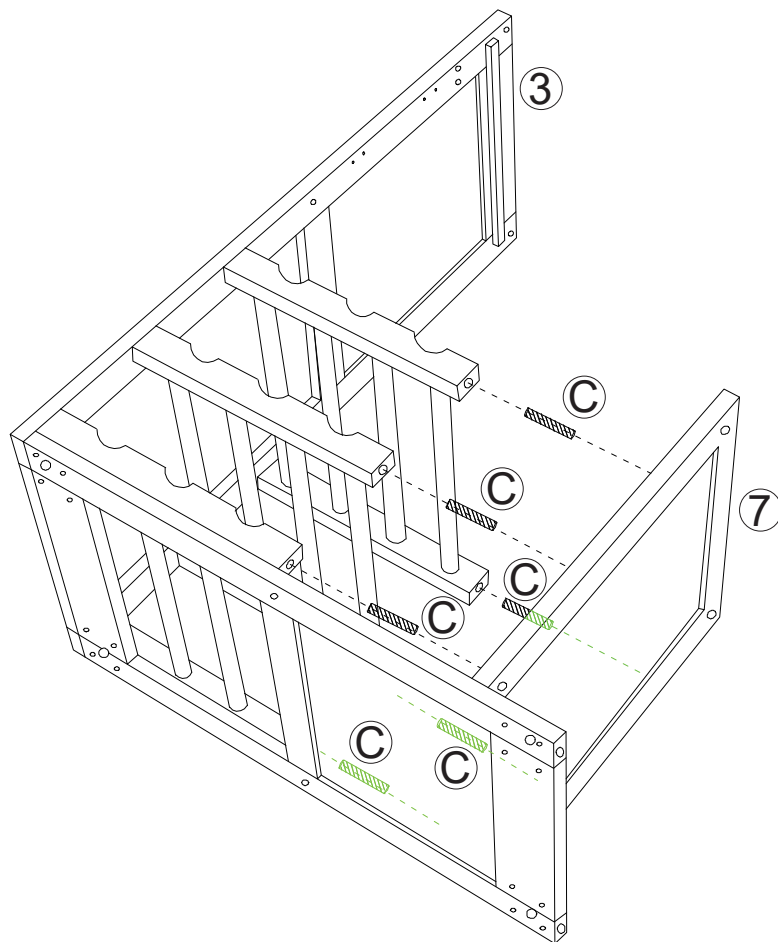
M6\*30



C x 6



M6\*30

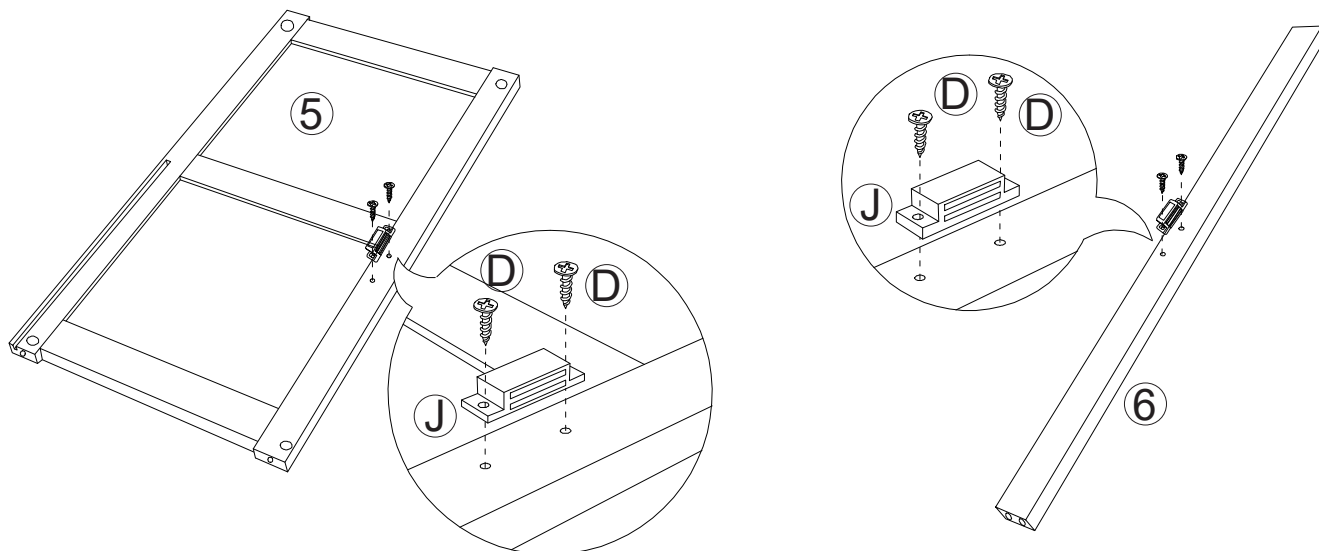
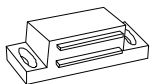


D x 4

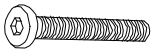


M3\*12

J x 2

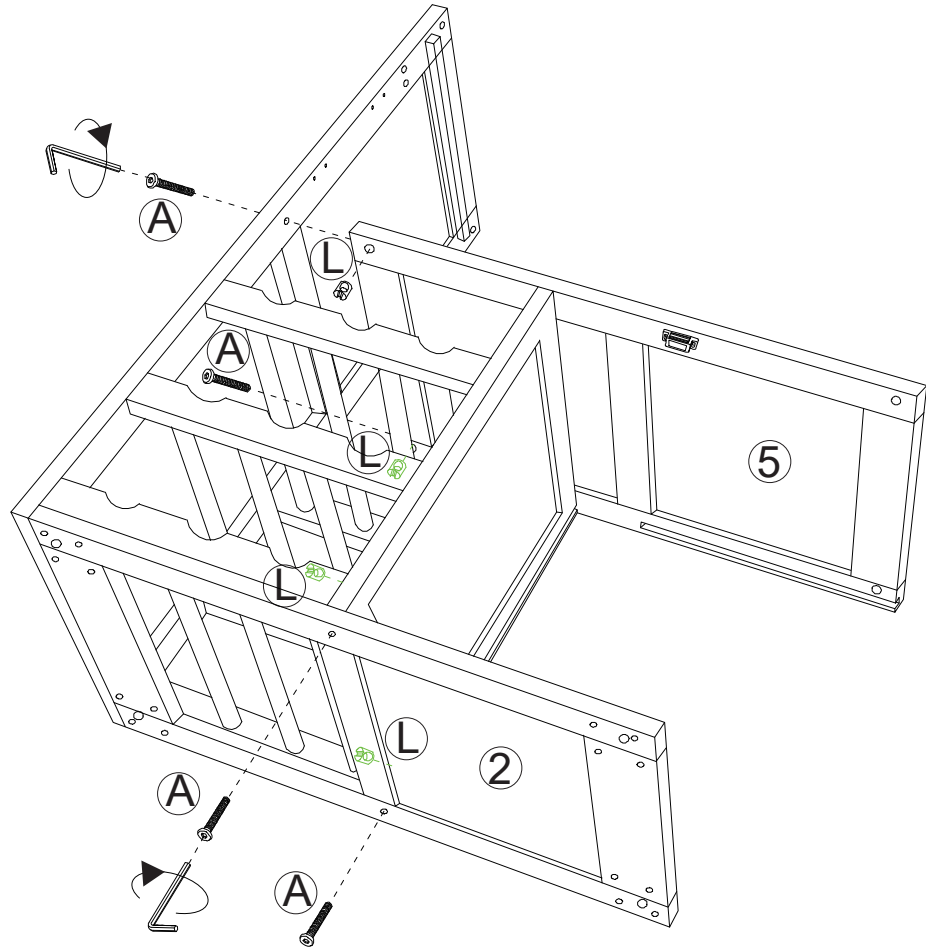


A x 4

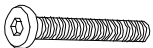


M6\*45

L x 4

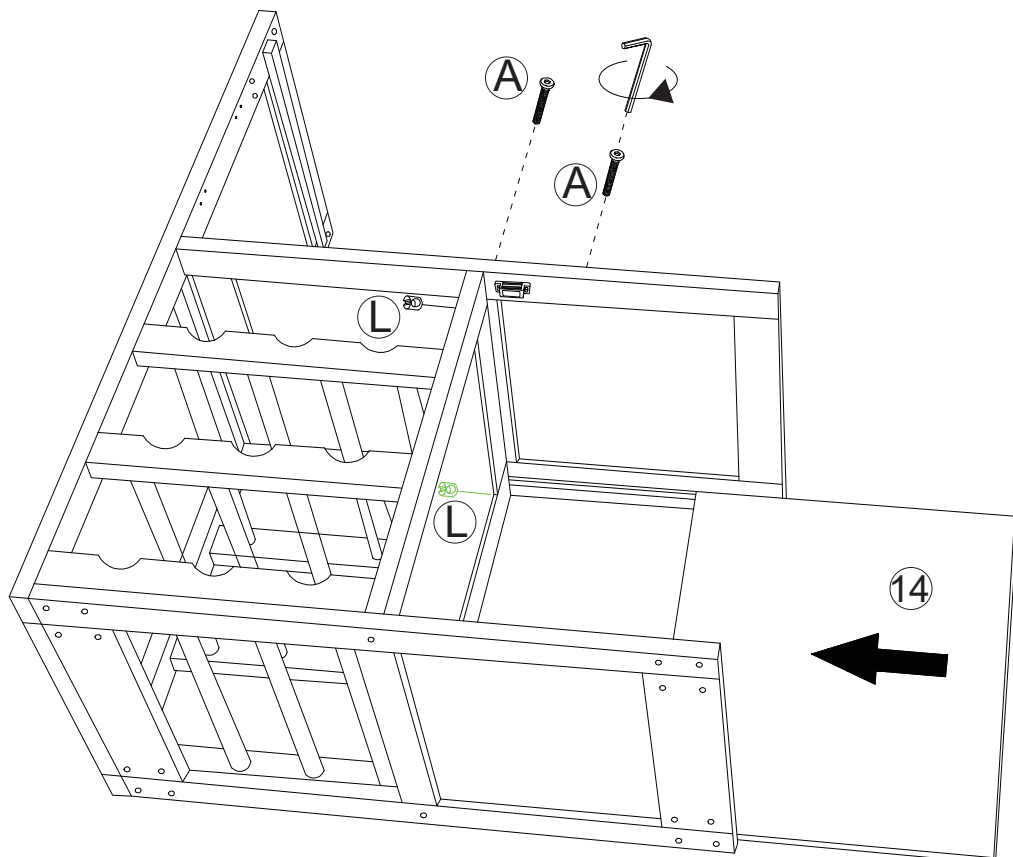


A x 2

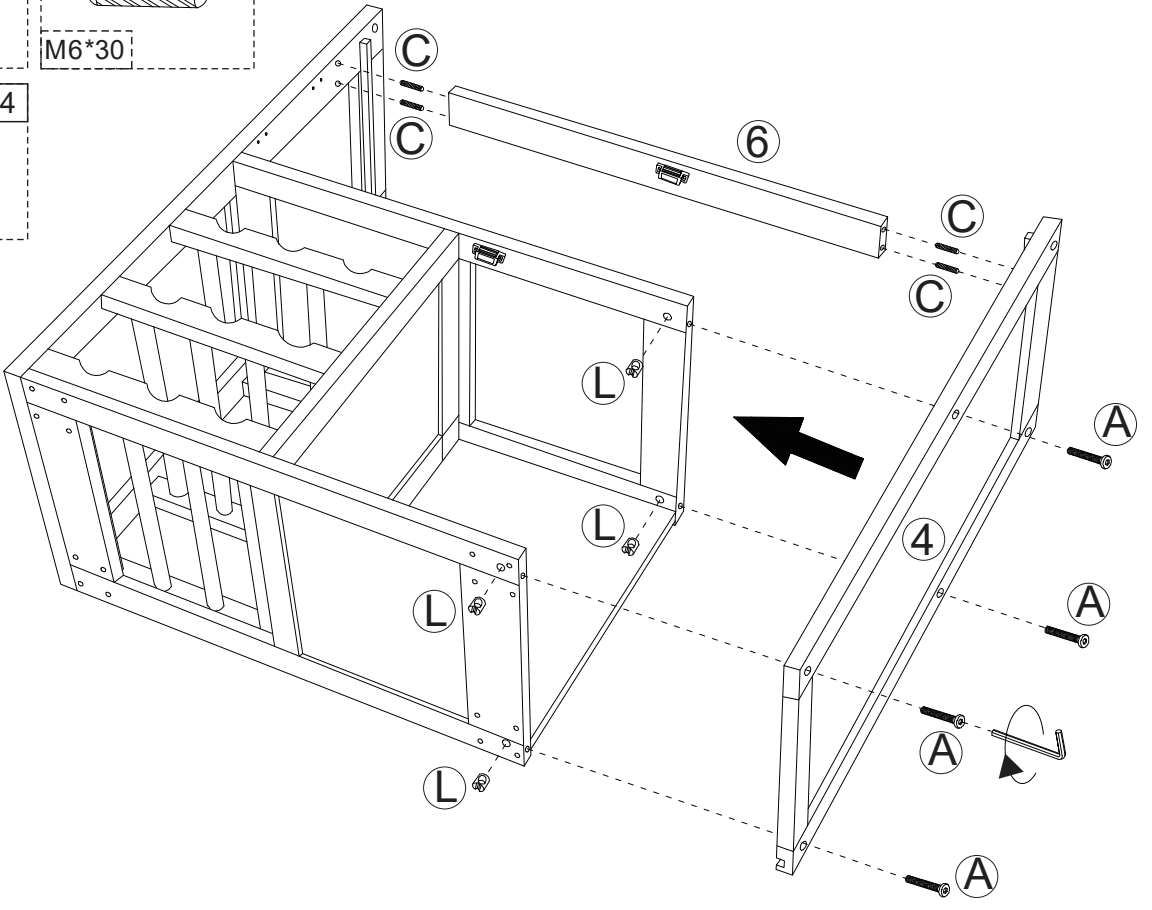
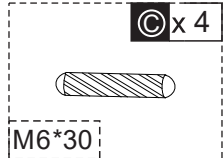


M6\*45

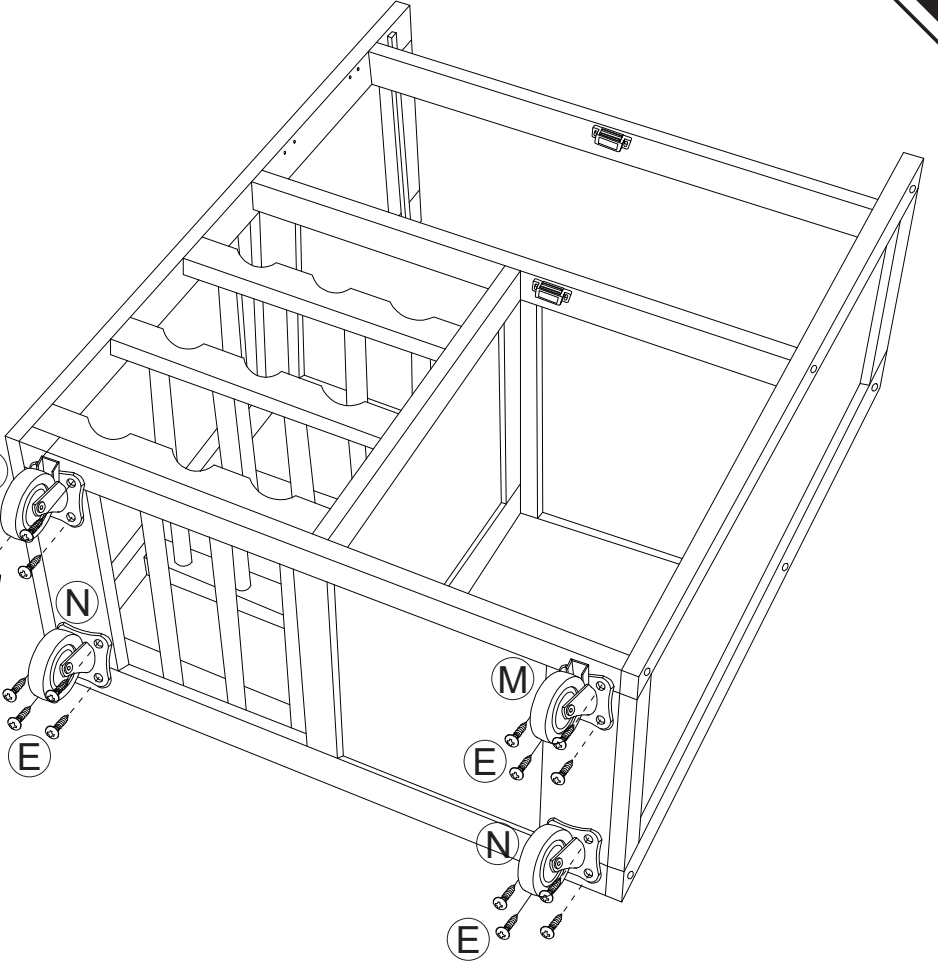
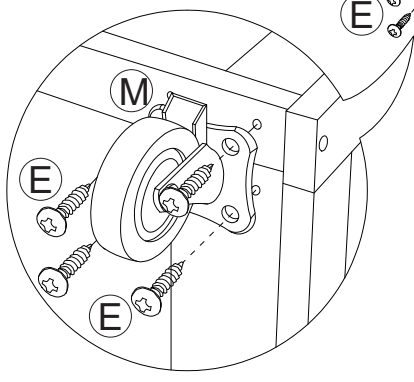
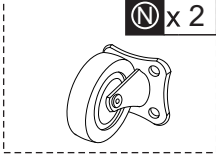
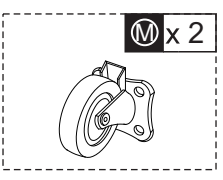
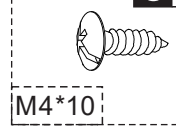
L x 2



- A** x 4
- C** x 4
- L** x 4



- E** x 16
- M** x 2
- N** x 2

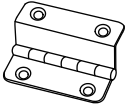


D x15

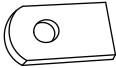


M3\*12

G x 6



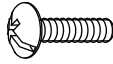
H x 3



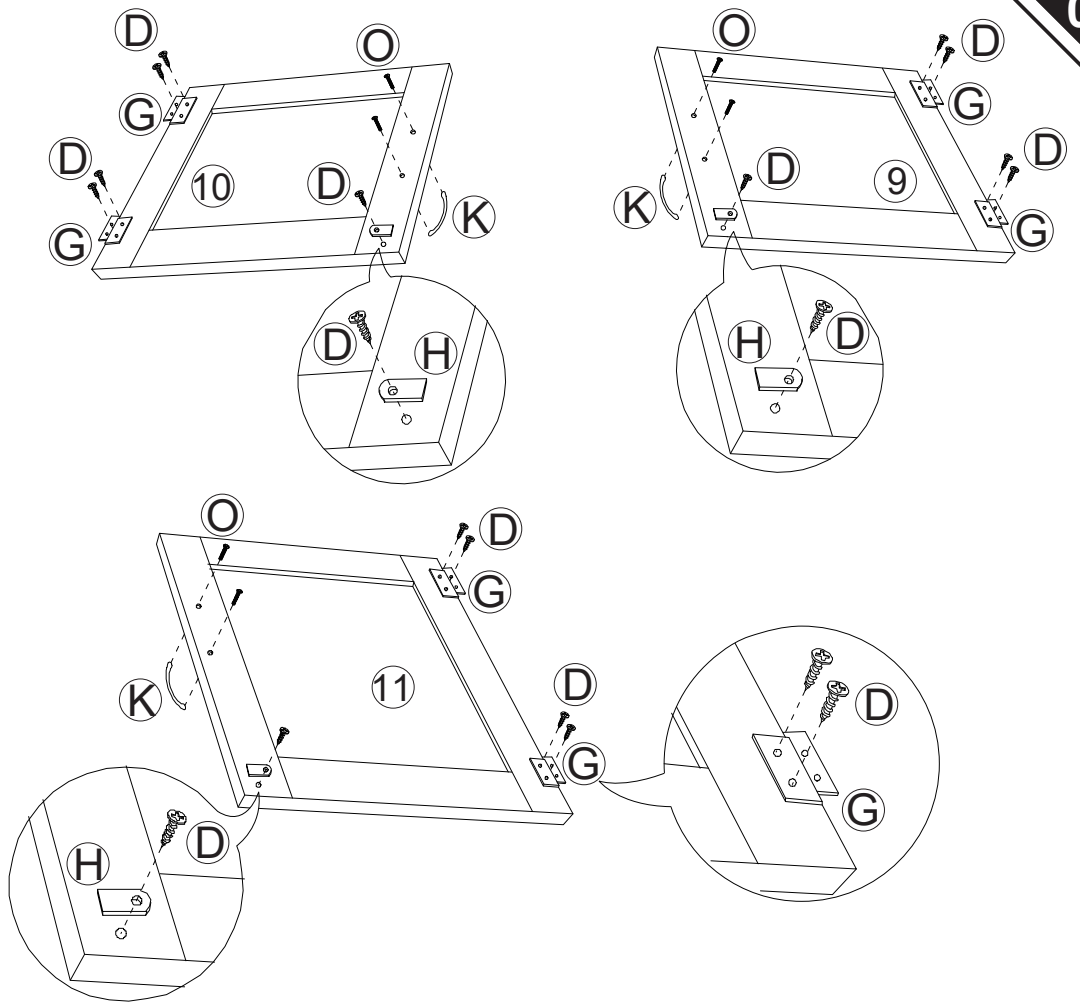
K x 3



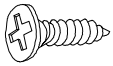
O x 6



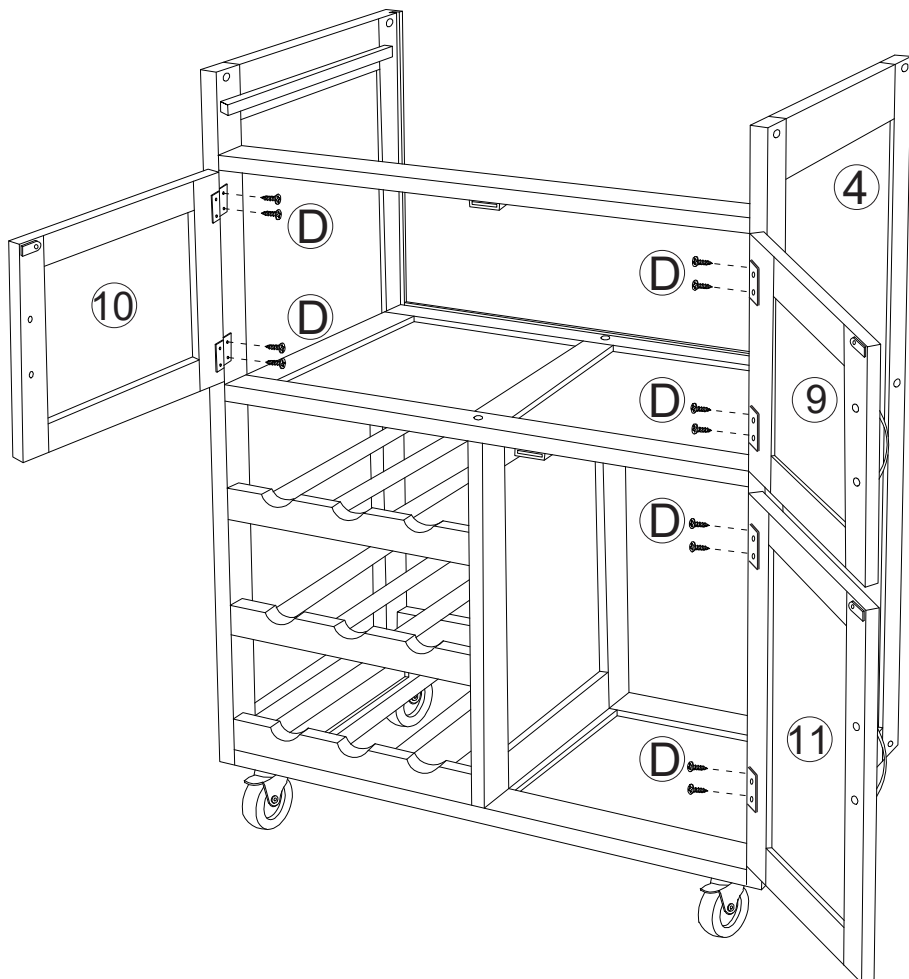
M4\*16



D x12



M3\*12

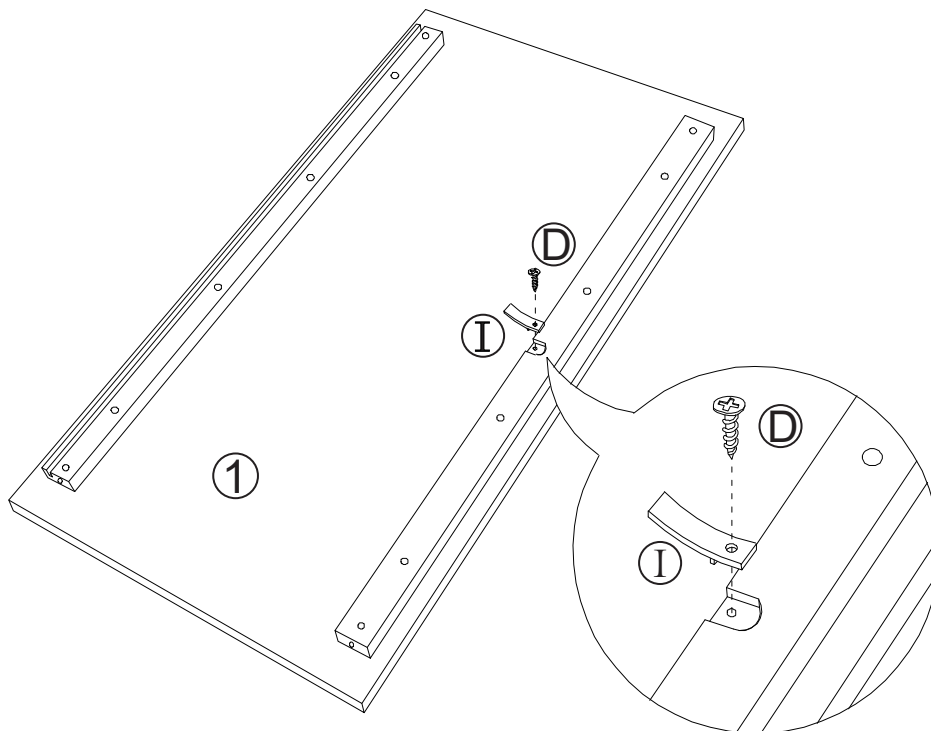


ⓓ x 1



M3\*12

ⓐ x 1

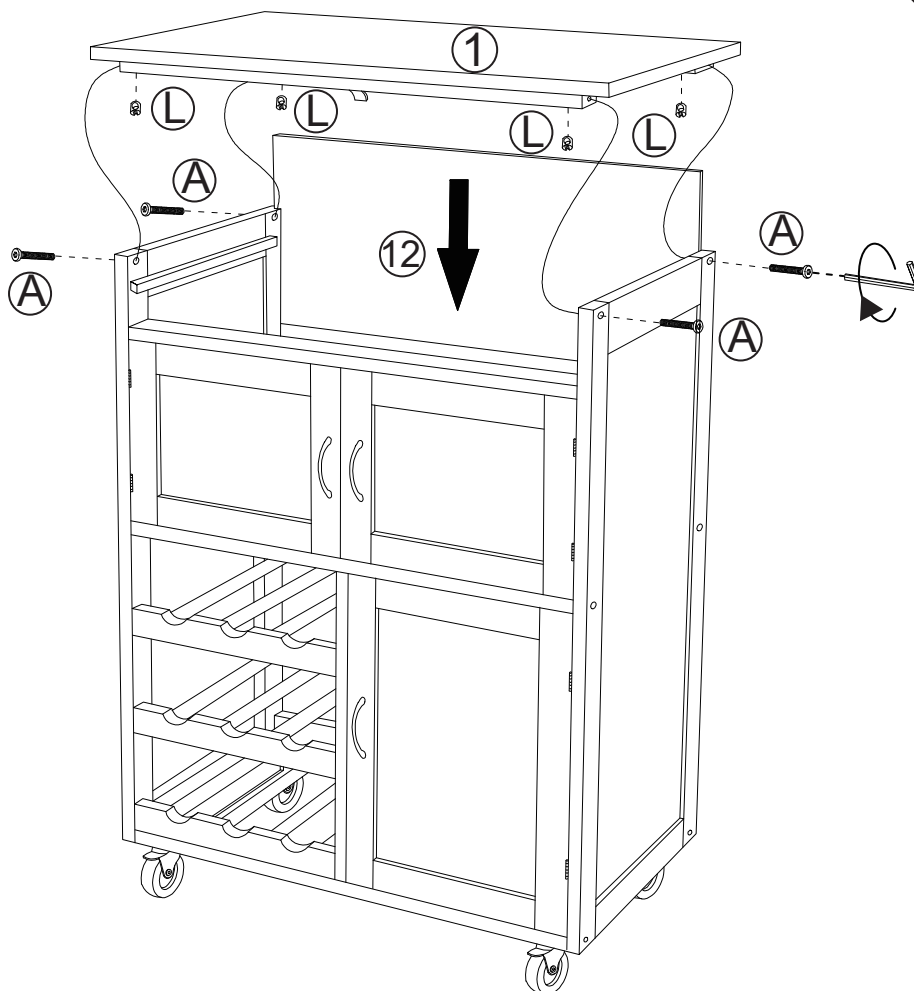


Ⓐ x 4



M6\*45

Ⓛ x 4





- B** x 8  
M3\*25
- K** x 1
- O** x 2  
M4\*16

