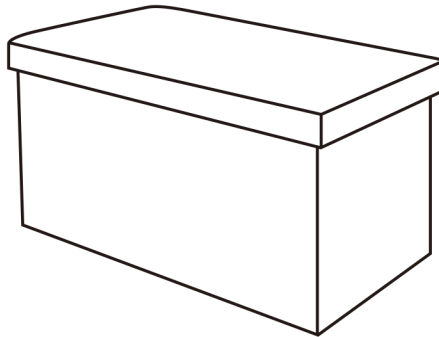


833-108/833-109

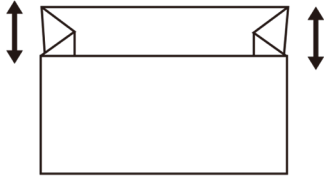


Please read these instructions and warranty information carefully before use and keep them properly for future reference.

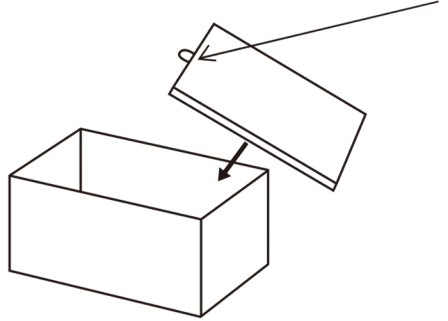
OPERATING INSTRUCTIONS

Assembly Instructions

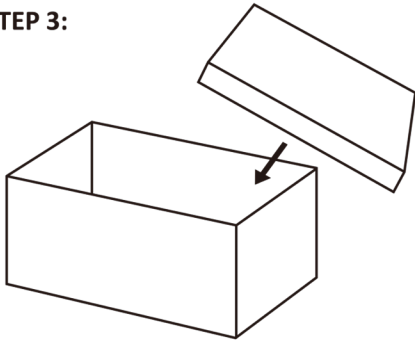
STEP 1:



STEP 2:



STEP 3:



STEP 4:

