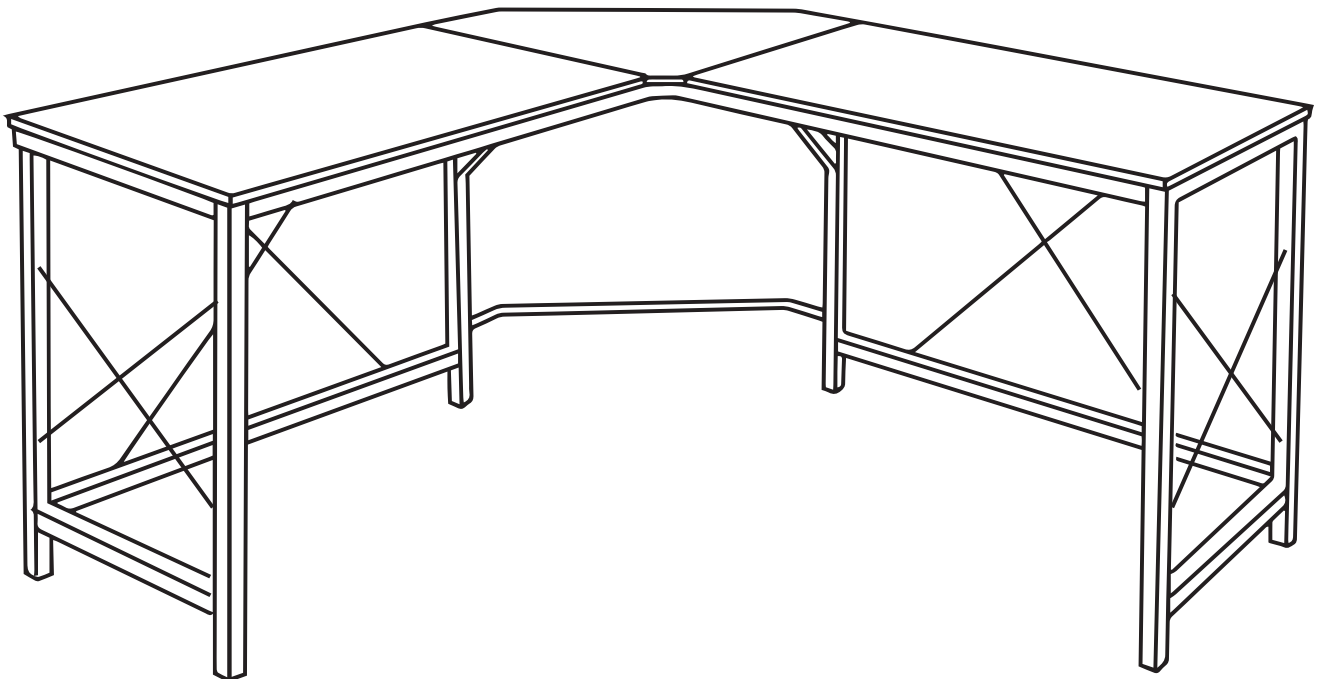




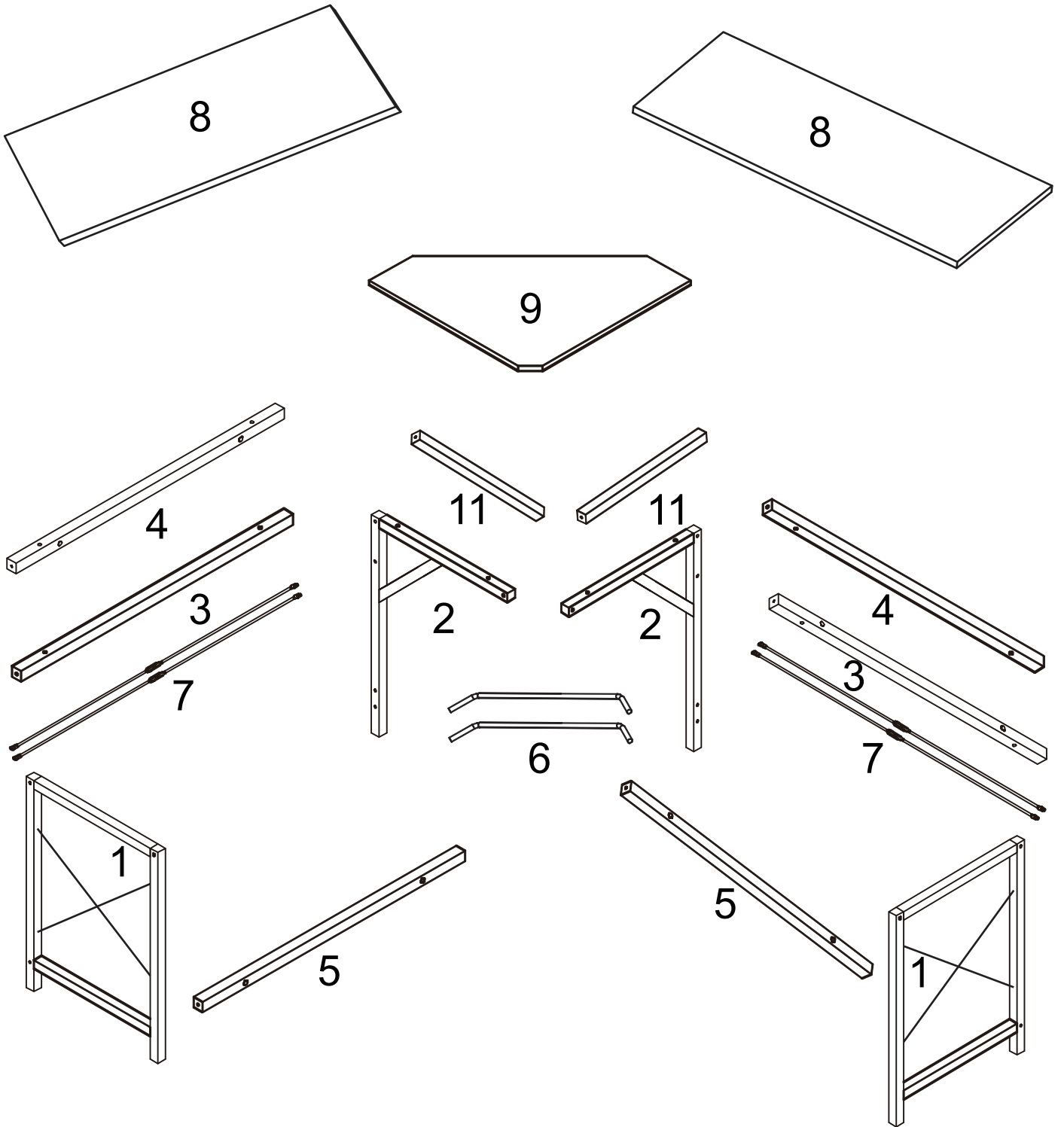
Assembly Instructions

836-122AK/836-122BK

Attention: Do not tighten the screws until all of them are in right positions

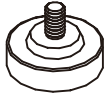


Parts List



Hardware List

A



M8

x6

B



M6x12mm

x10

C



M6x40mm

x12

D



M6x45mm

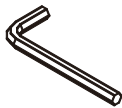
x20

E

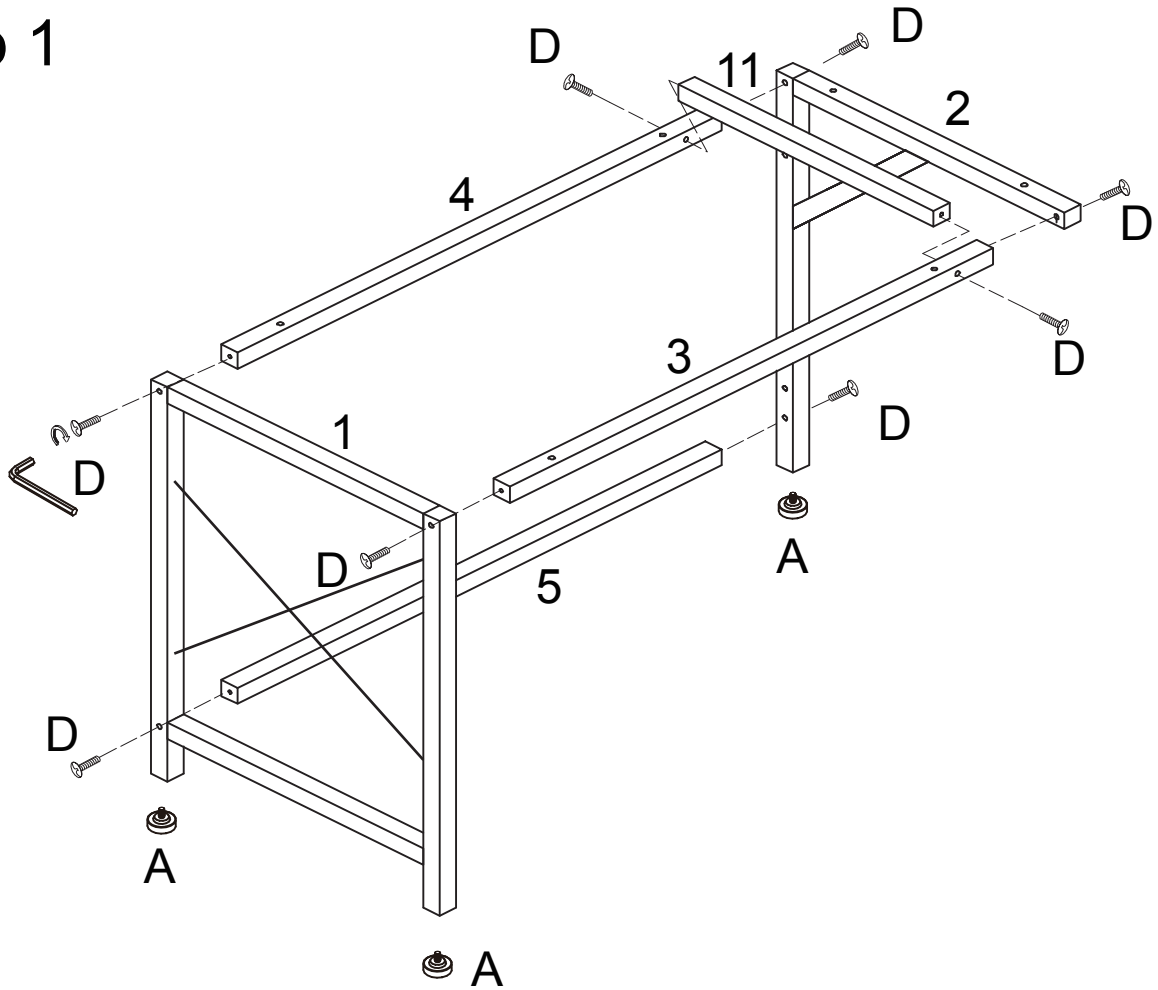


M6

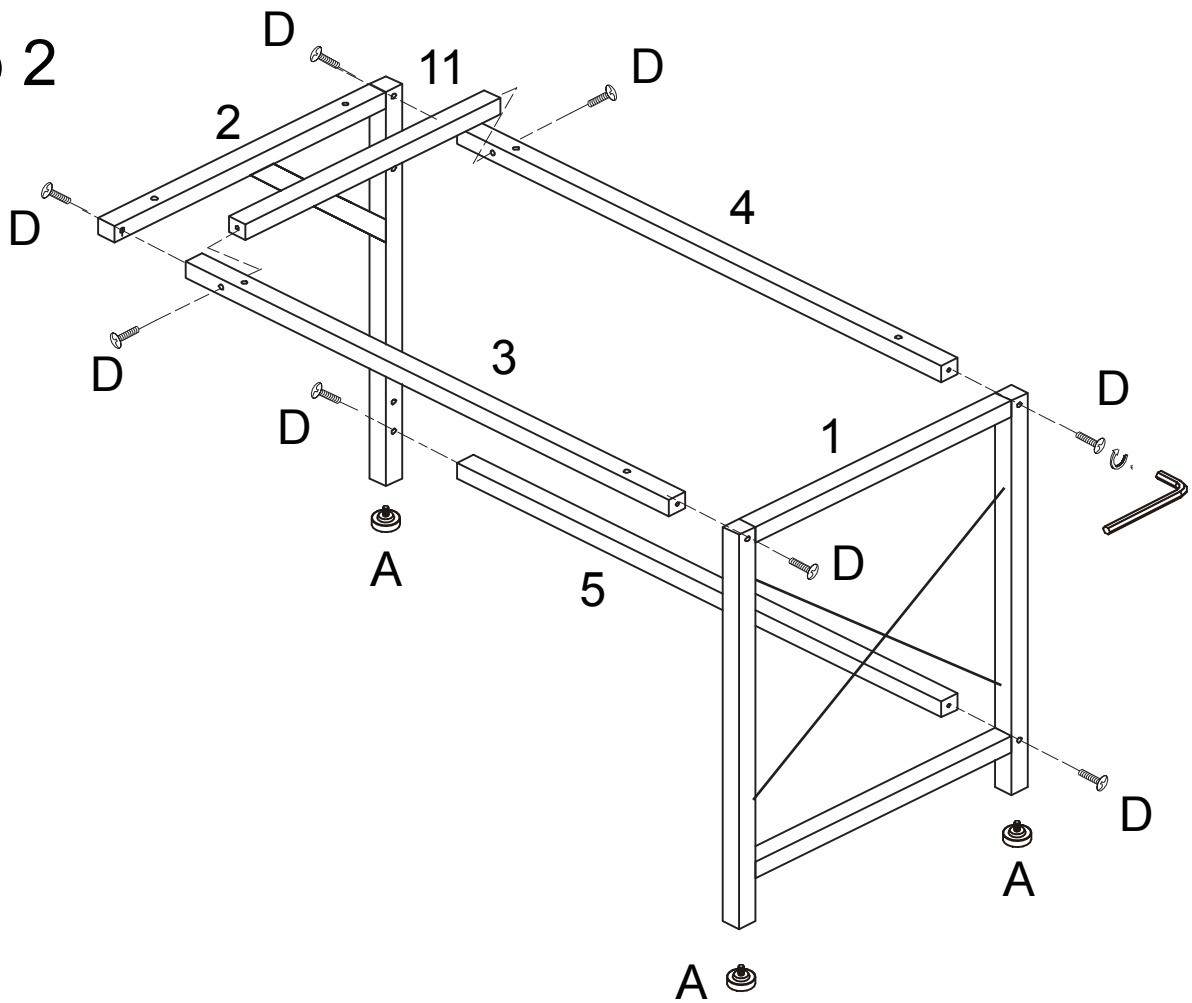
x2



Step 1

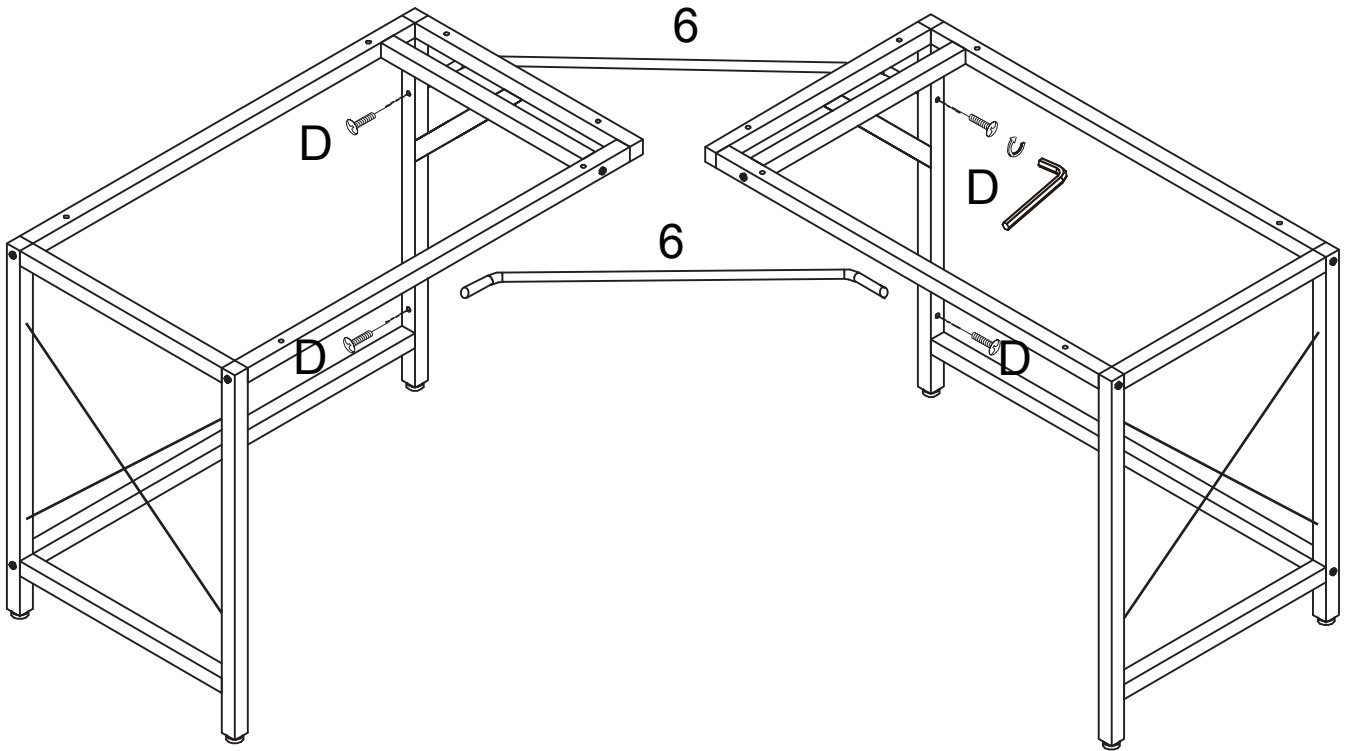


Step 2

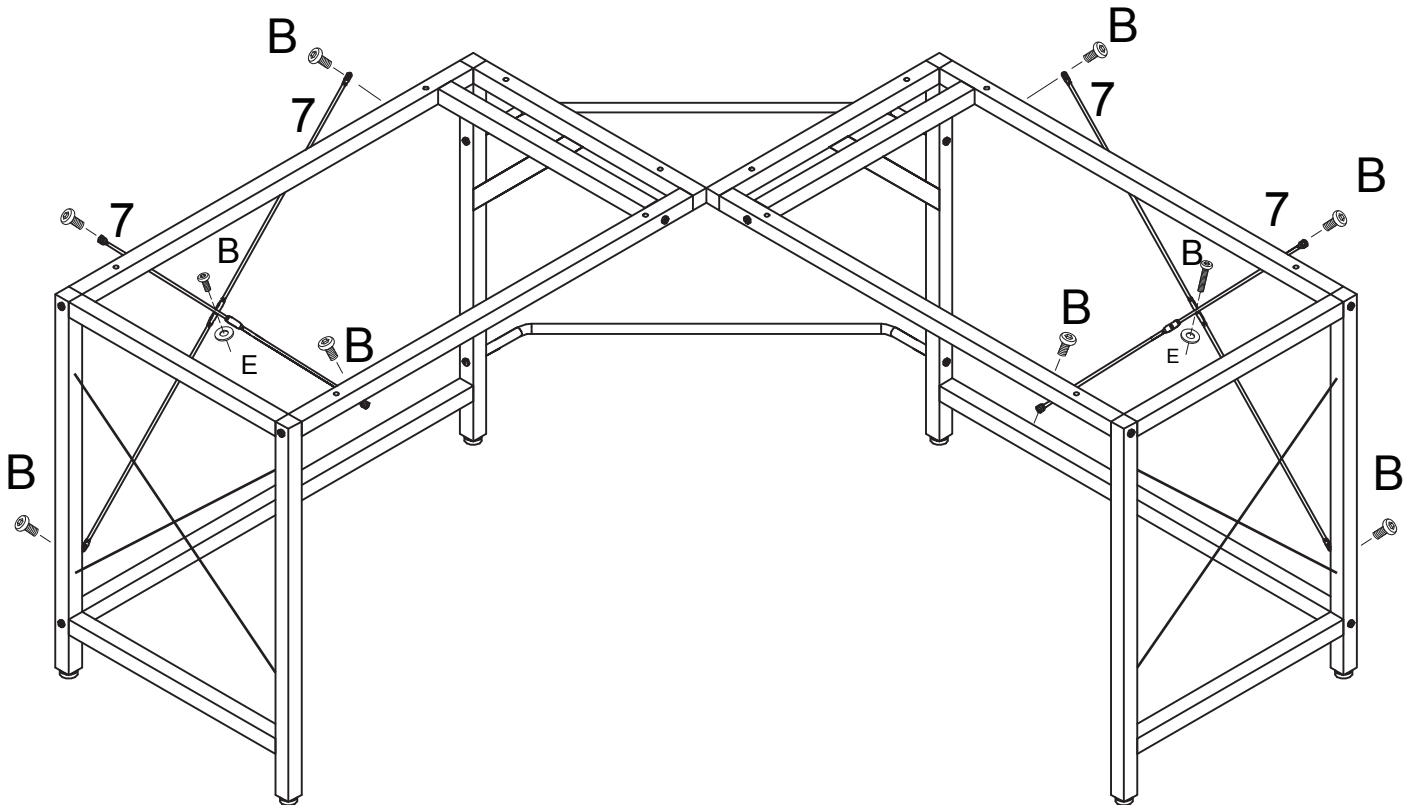


Do NOT tighten the screws until all parts are in right positions.

Step 3

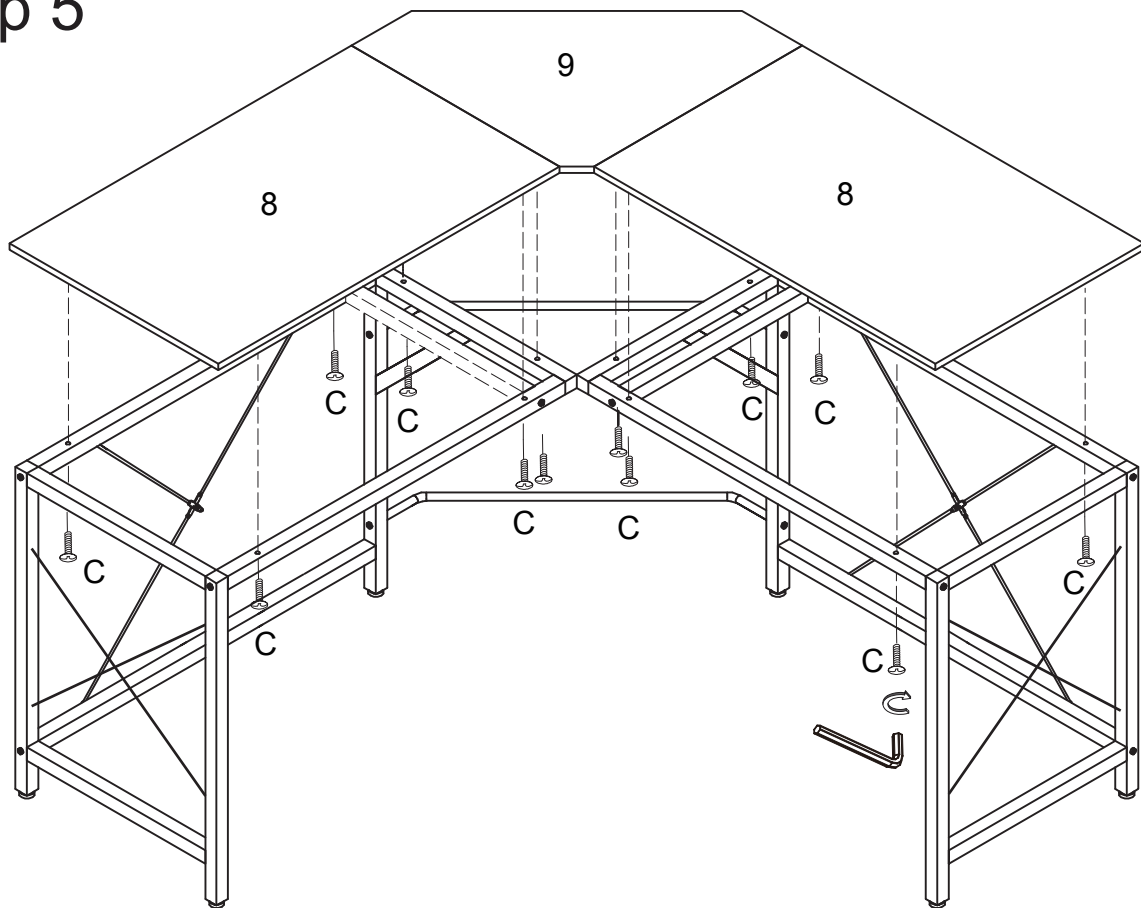


Step 4

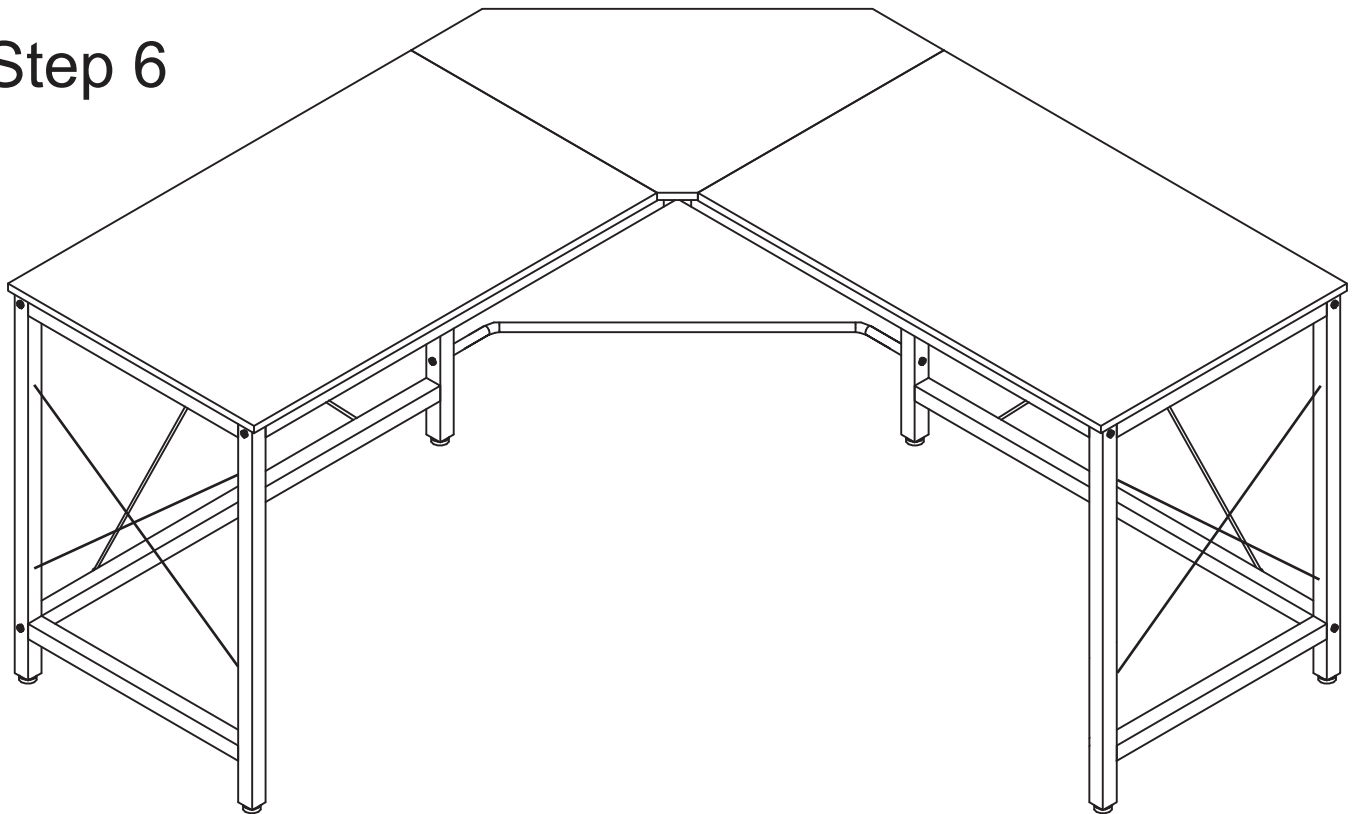


Do NOT tighten the screws until all parts are in right positions.

Step 5



Step 6



Do NOT tighten the screws until all parts are in right positions.

US



001-877-644-9366
customerservice@aosom.com

CA



001-855-537-6088
customerservice@aosom.ca

UK



0044-800-240-4004
enquiries@mhstar.co.uk

DE



0049-(0)40-88307530
service@aosom.de

FR



0033-1-84166106
contact@aosom.fr

ES



0034-931294512
atencioncliente@aosom.es

IT



0039-0249471447
clienti@aosom.it