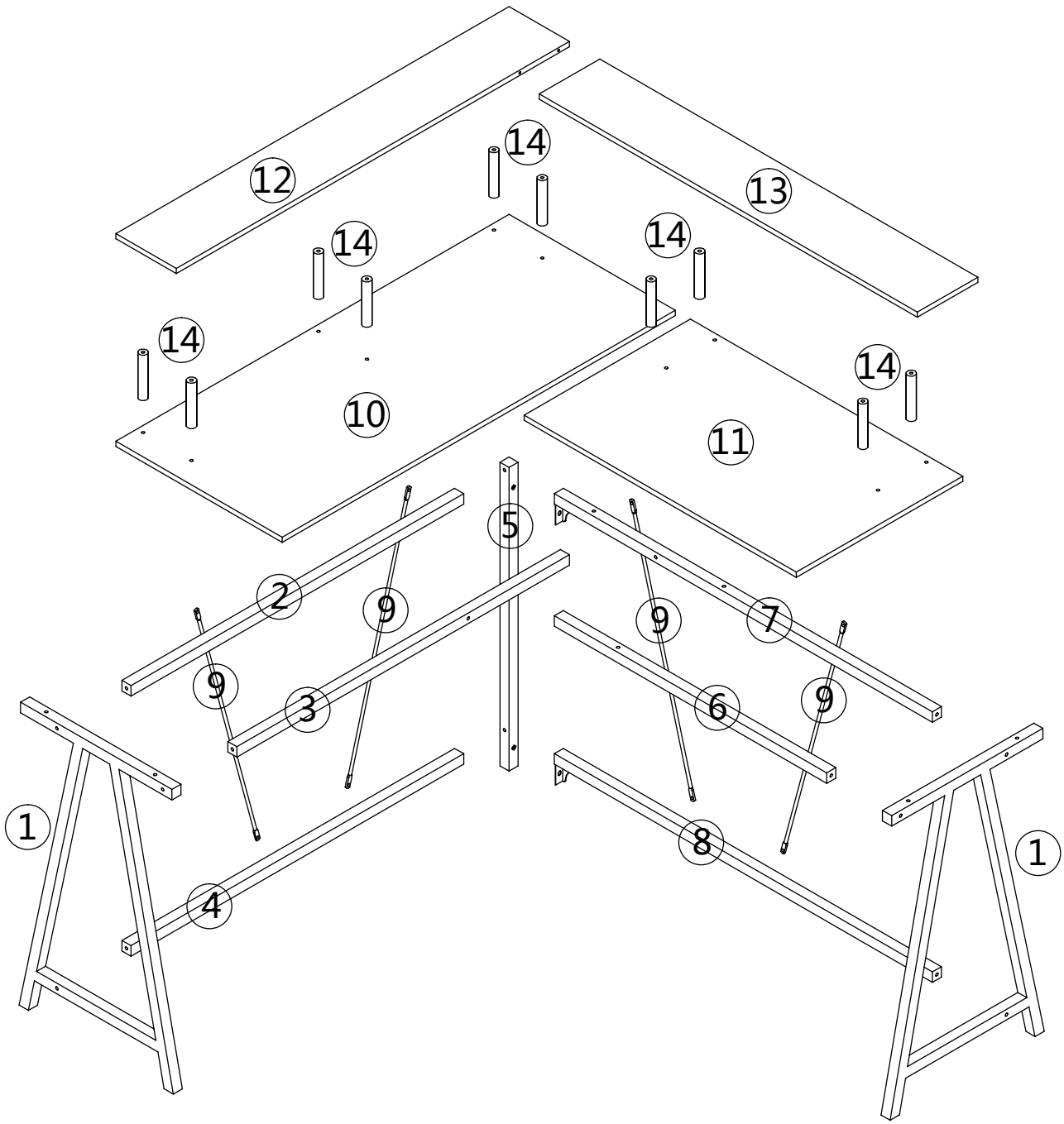
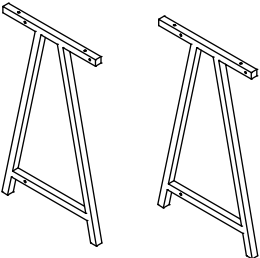
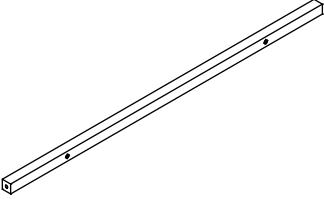
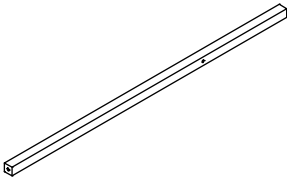
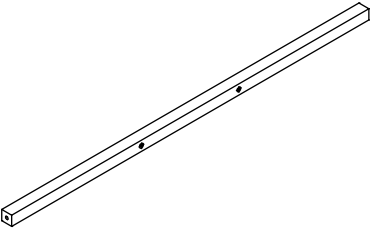

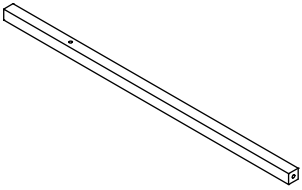
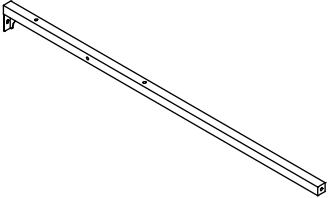
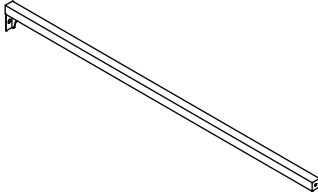
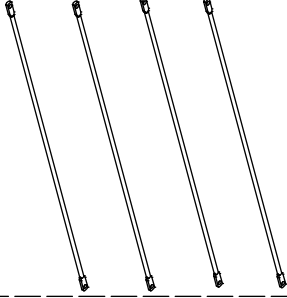
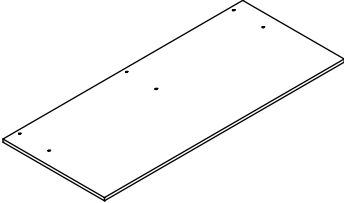
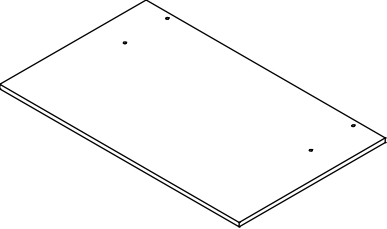
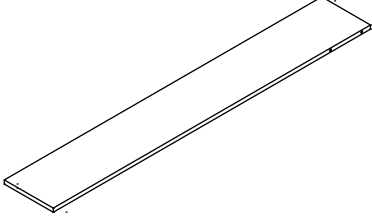
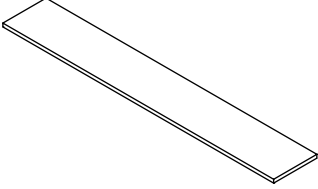
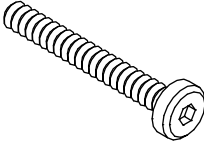



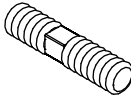
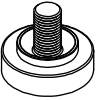
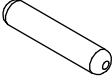
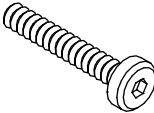


READ AND SAVE THIS INSTRUCTION FOR FUTURE USE

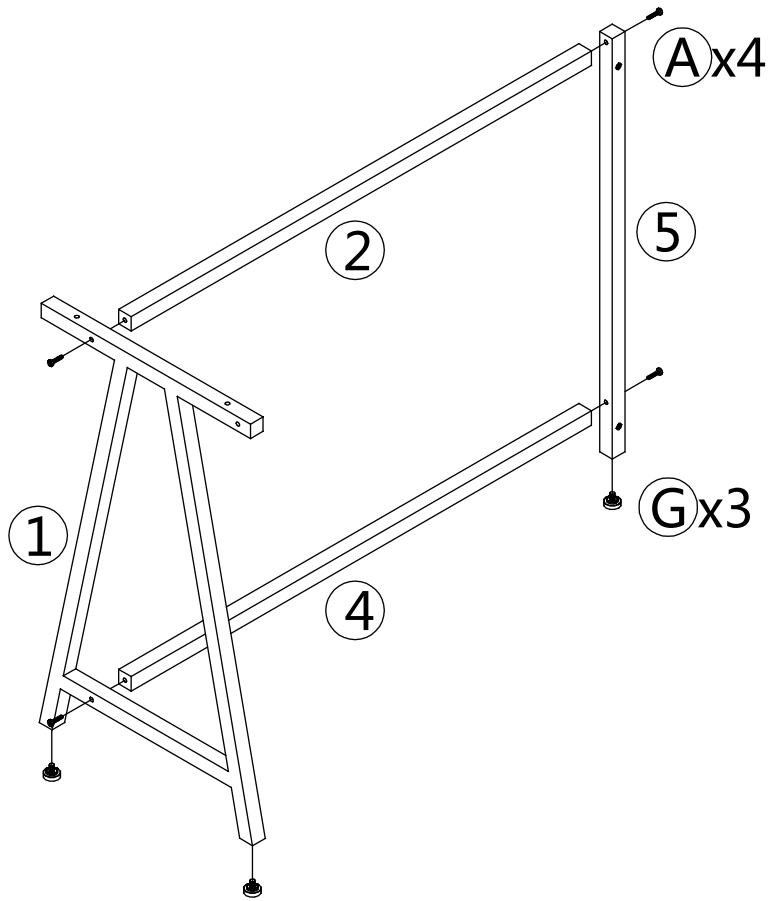
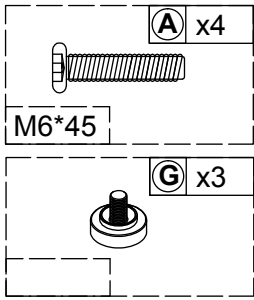
ASSEMBLY INSTRUCTION



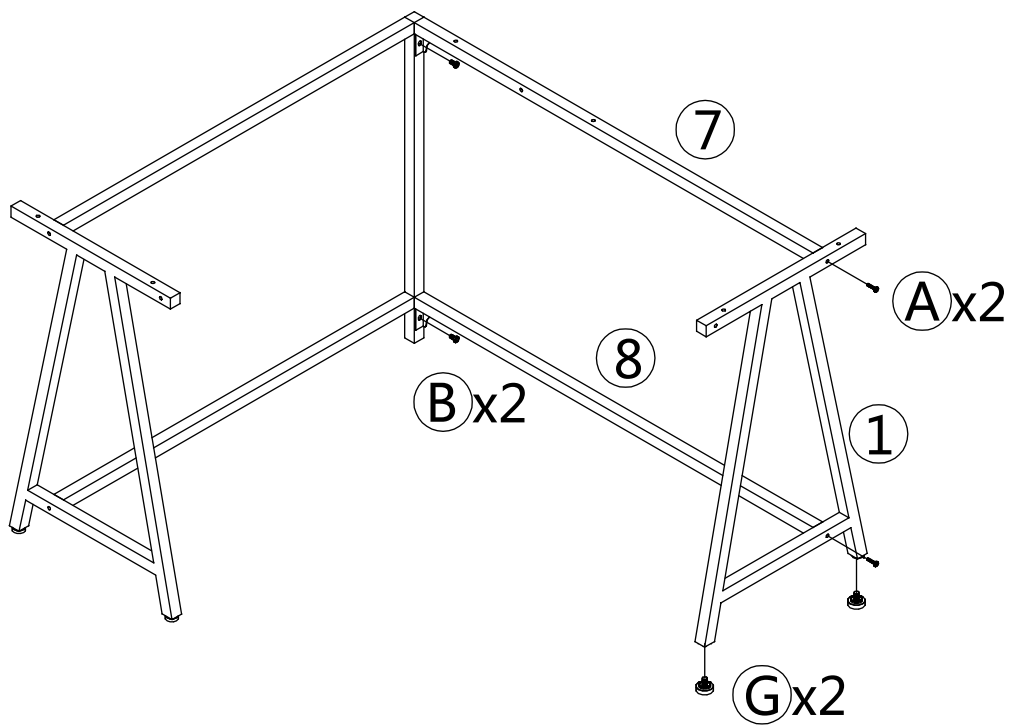
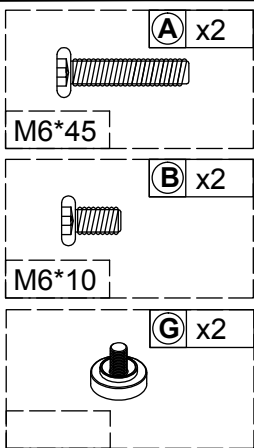
PART LIST

 <p>① x2</p>	 <p>② x1</p>	 <p>③ x1</p>
 <p>④ x1</p>	 <p>⑤ x1</p>	 <p>⑥ x1</p>
 <p>⑦ x1</p>	 <p>⑧ x1</p>	 <p>⑨ x4</p>
 <p>⑩ x1</p>	 <p>⑪ x1</p>	 <p>⑫ x1</p>
 <p>⑬ x1</p>	 <p>M6*45</p> <p>Ⓐ x10</p>	 <p>M6*10</p> <p>Ⓑ x10</p>
 <p>⑭ x10</p>	 <p>M6*30</p> <p>Ⓒ x10</p>	 <p>M6</p> <p>Ⓓ x10</p>
 <p>Ⓔ x5</p>	 <p>Ⓔ x2</p>	 <p>M6*40</p> <p>Ⓕ x7</p>

01



02

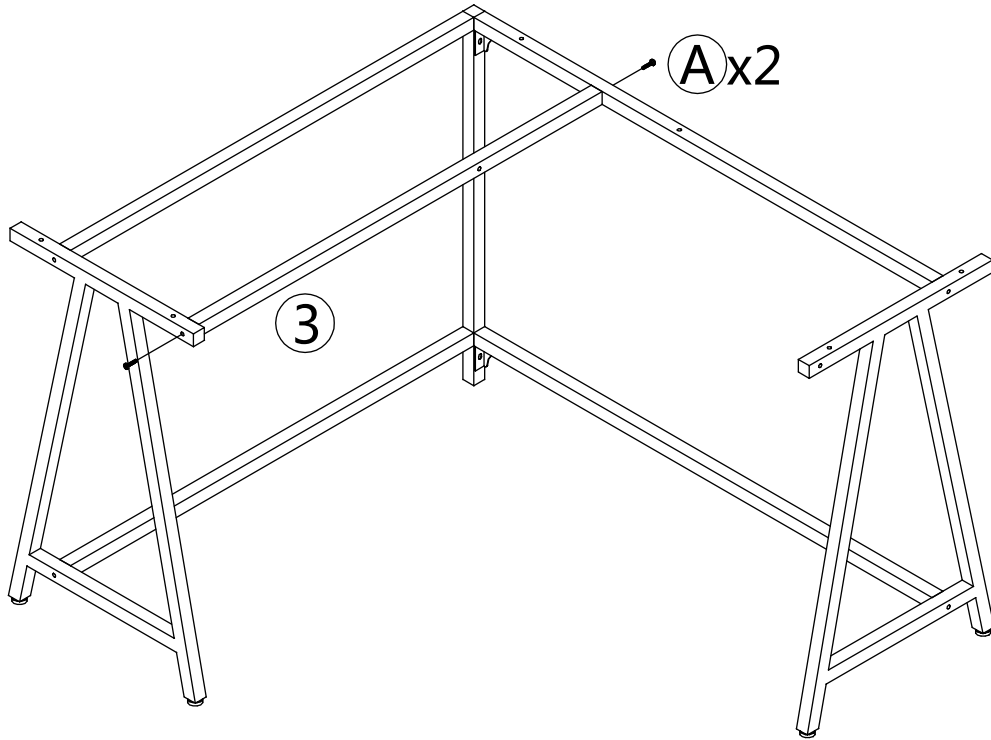


03

A x2



M6*45

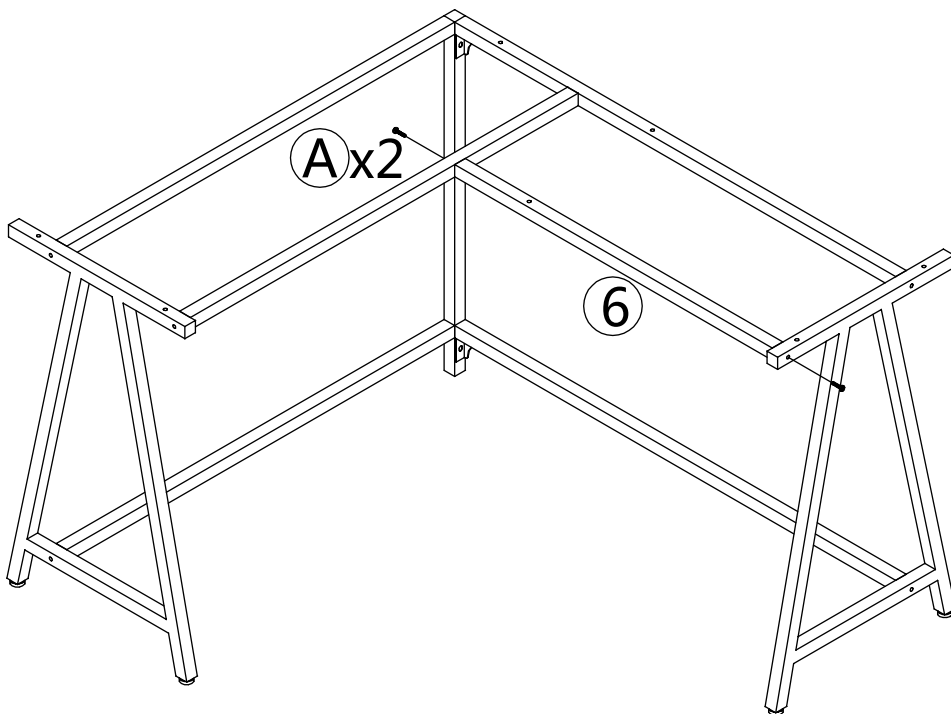


04

A x2



M6*45

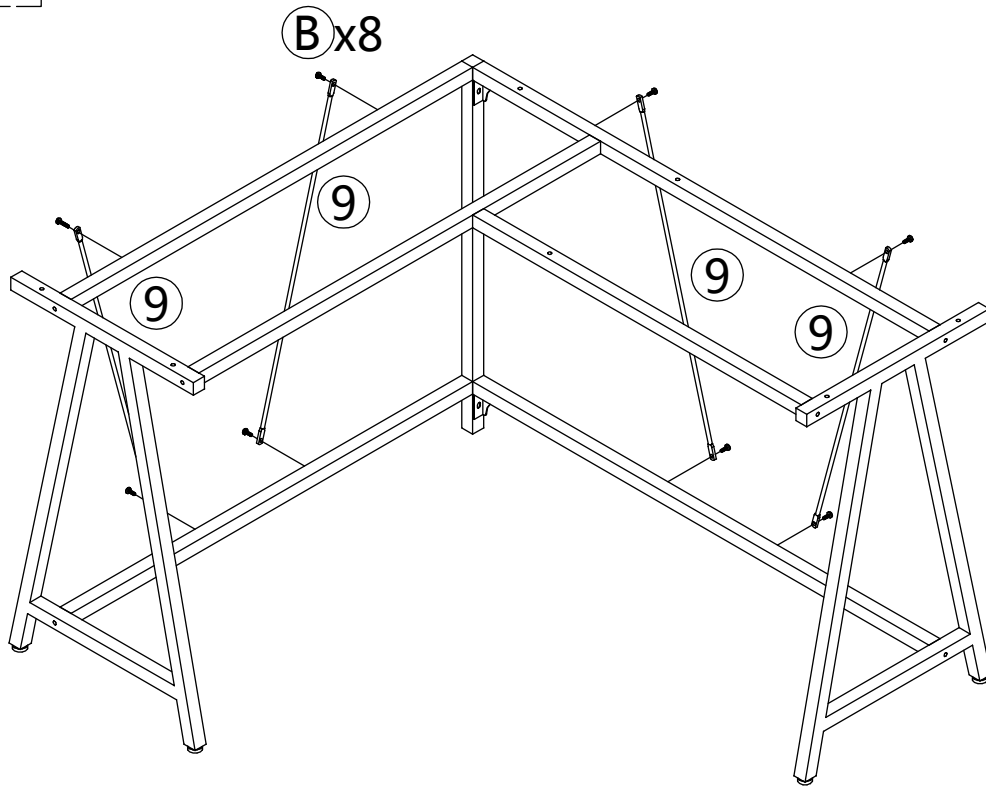


05

(B) x8



M6*10

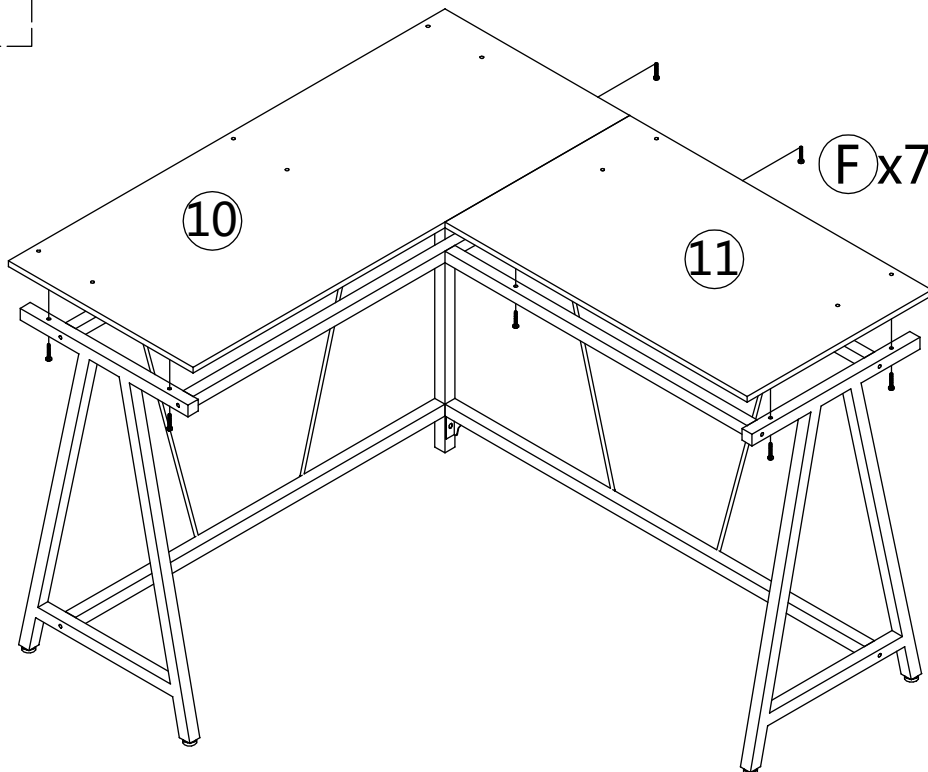


06

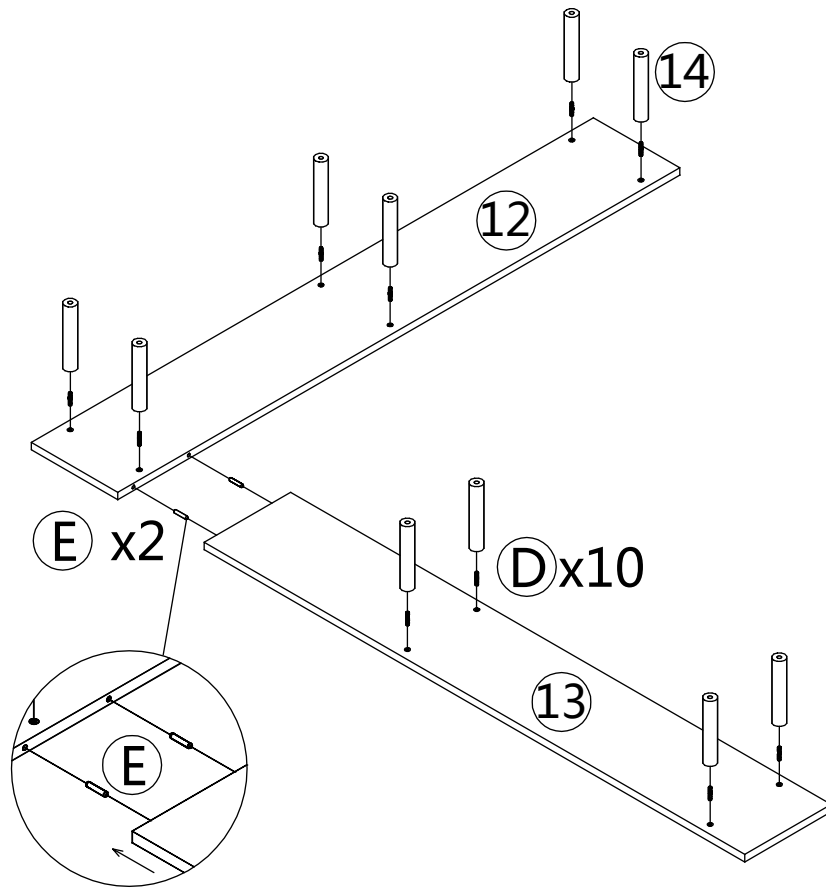
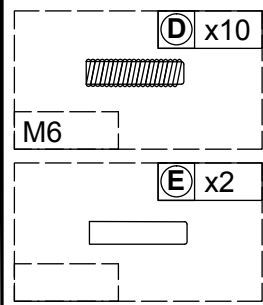
(F) x7



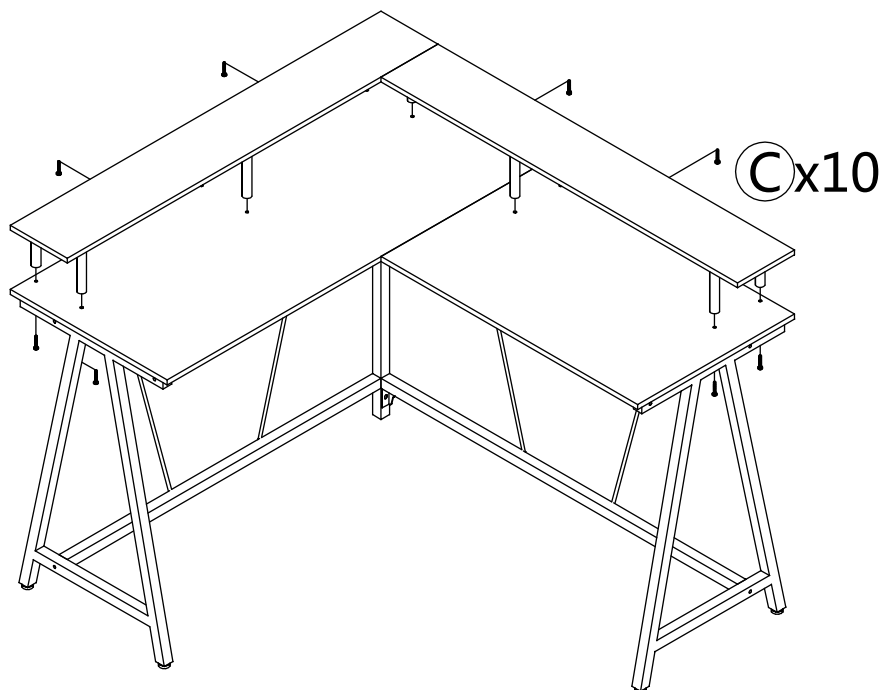
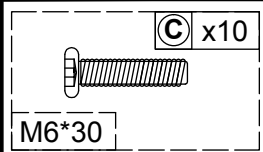
M6*40



07



08



US



001-877-644-9366
customerservice@aosom.com

CA



001-855-537-6088
customerservice@aosom.ca

UK



0044-800-240-4004
enquiries@mhstar.co.uk

DE



0049-(0)40-88307530
service@aosom.de

FR



0033-1-84166106
contact@aosom.fr

ES



0034-931294512
atencioncliente@aosom.es

IT



0039-0249471447
clienti@aosom.it