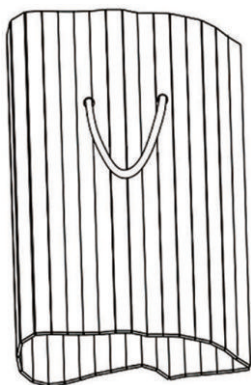
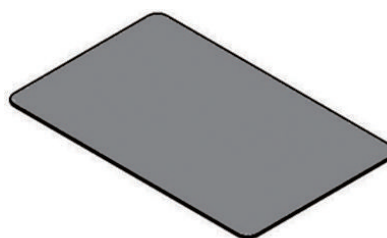
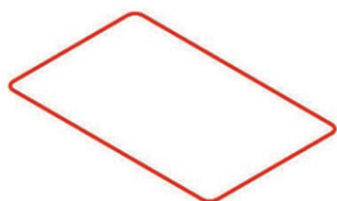
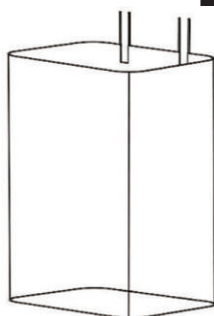
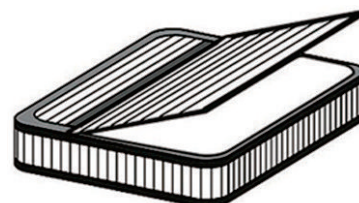
**Assembly steps:**

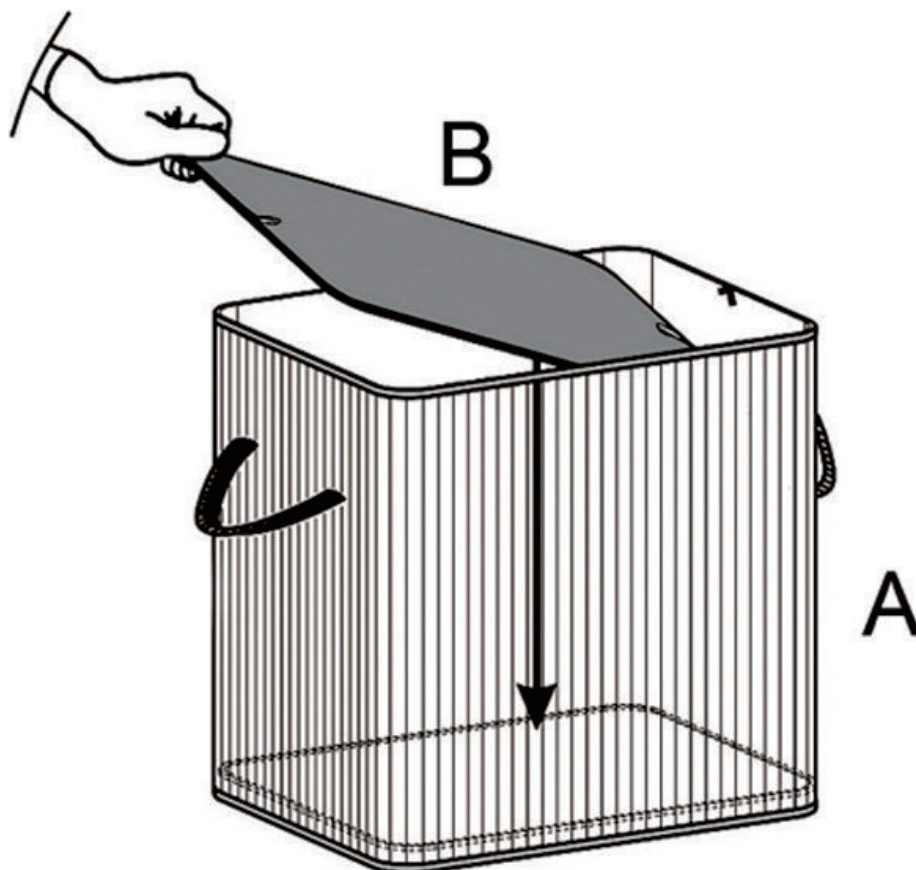
- Please check whether all accessories are in good condition.
- Get hold of the handles and unfold the basket sheet into cuboid shape.
- Hold the cardboard base with the clasps of the bottom.
- Insert the metal ring and fasten it to stabilize the top.
- Place the liner bag and pull it around the outside.
- Get the lid on.

Notes:

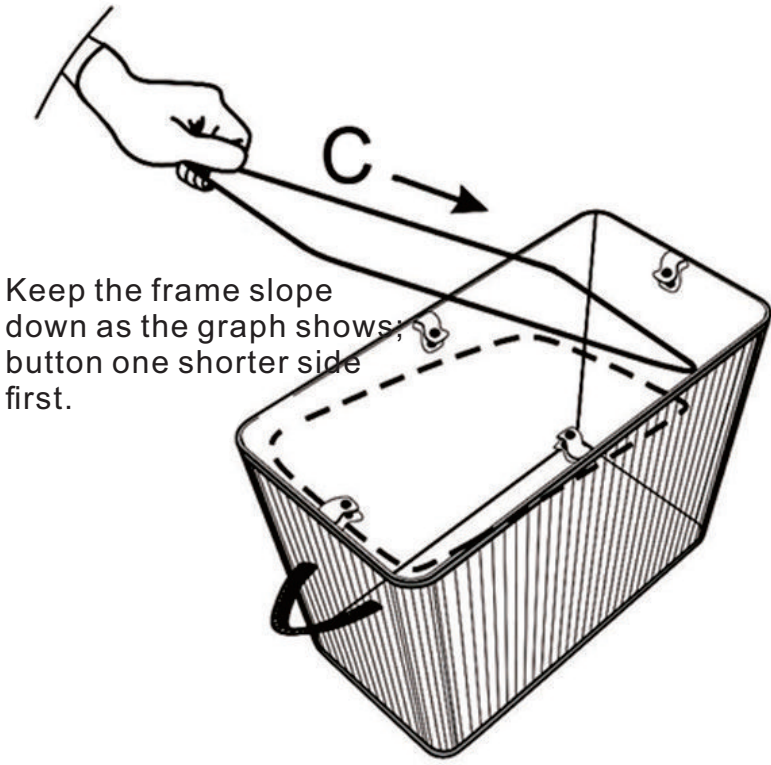
- The handles are symmetrical at the center of both shorter sides.
- Pull the metal ring from the bottom to top.
- Do not store wet clothes inside, and keep the laundry basket away from humid place.

A x 1**B** x 1**C** x 1**D** x 1**E** x 1

01

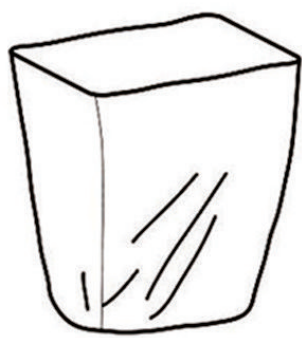
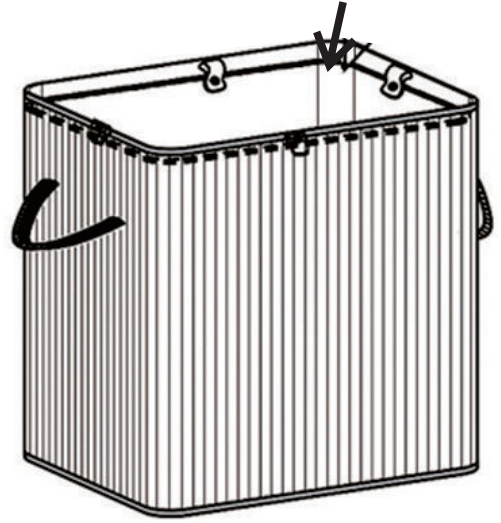


Place the cardboard base at the bottom of the basket (The handles should be in the middle of each narrow side)

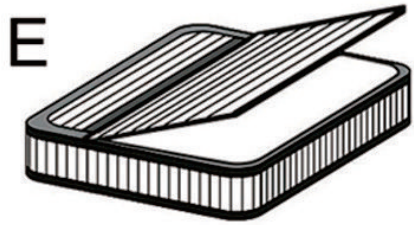


Keep the frame slope down as the graph shows; button one shorter side first.

The frame should be lower than the edge lining.

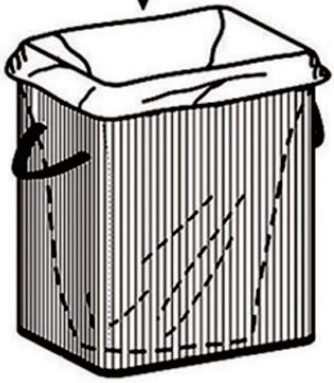


D



E

First assemble the cover and loop by zipper



Settle this side first.

