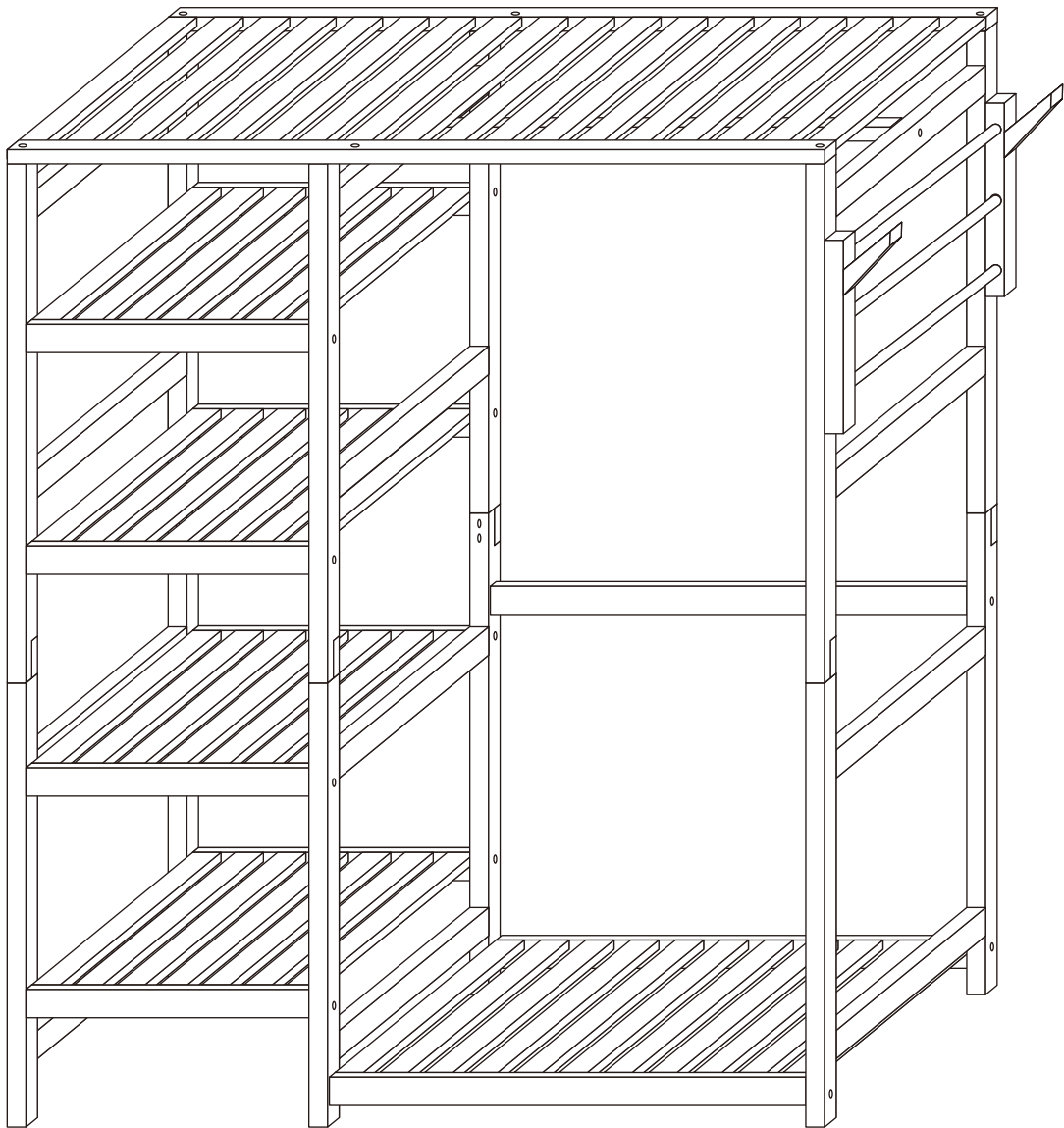




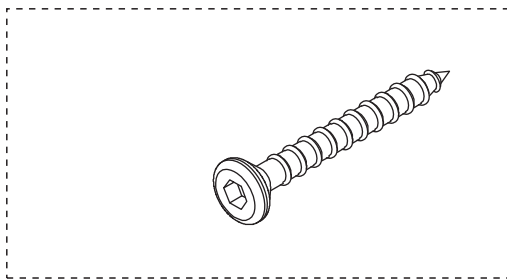
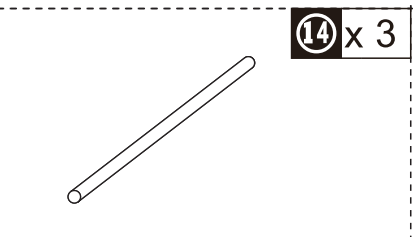
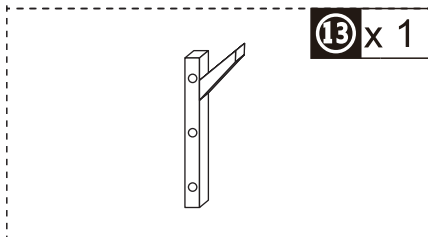
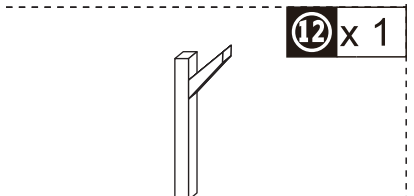
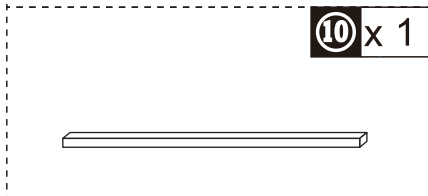
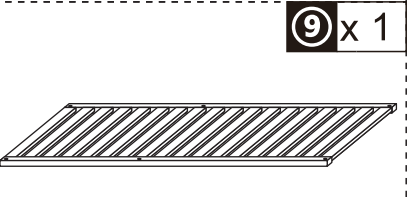
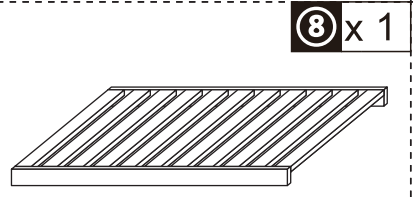
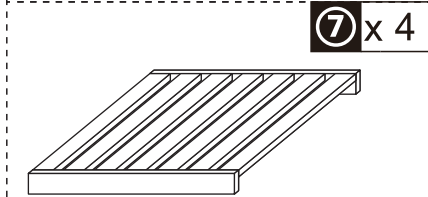
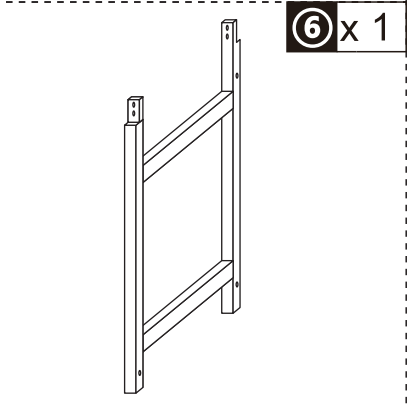
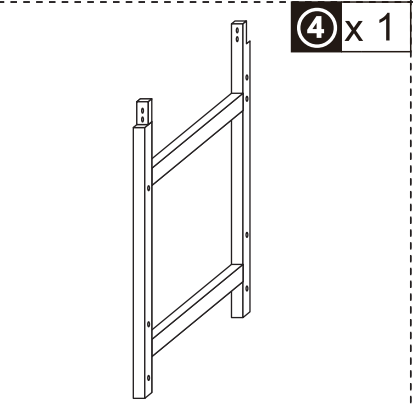
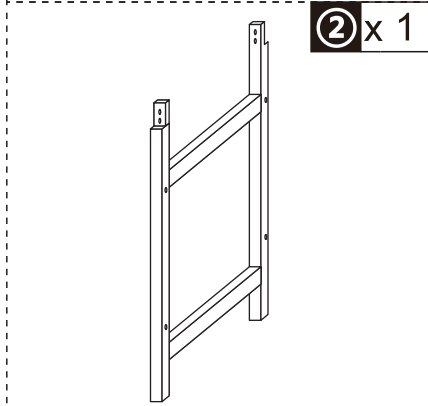
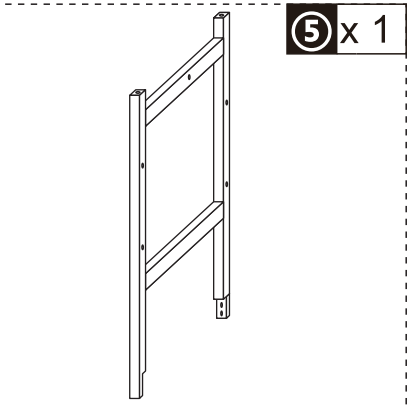
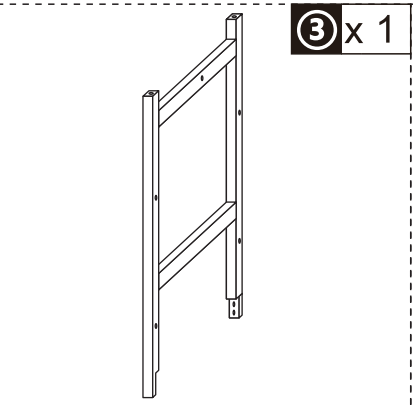
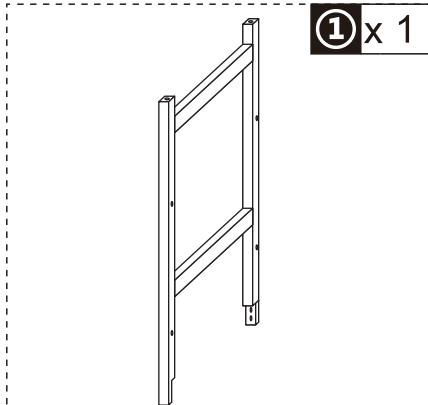
INcmd005V01_GL

850-158

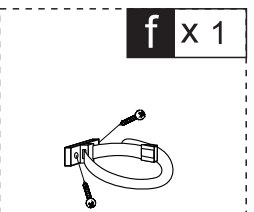
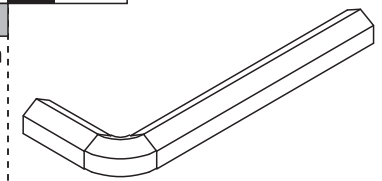


IMPORTANT, RETAIN FOR FUTURE REFERENCE: READ CAREFULLY

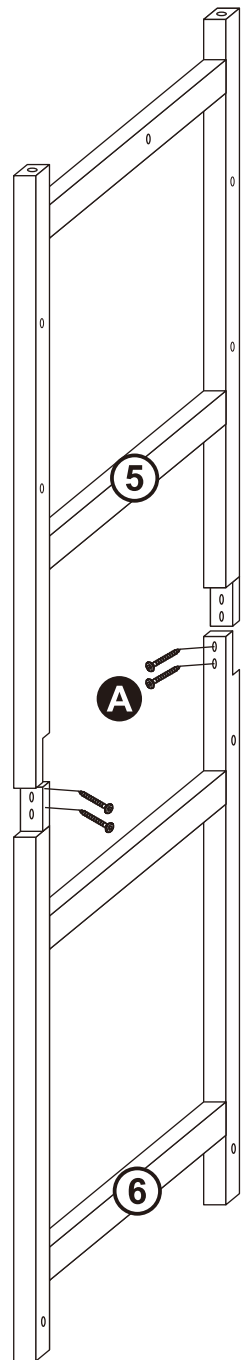
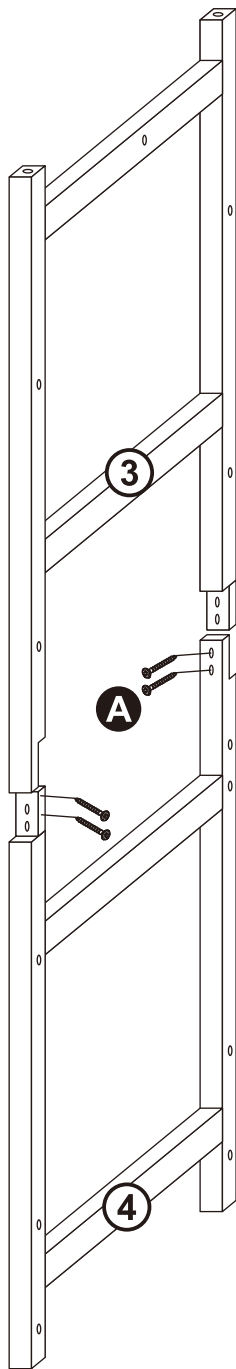
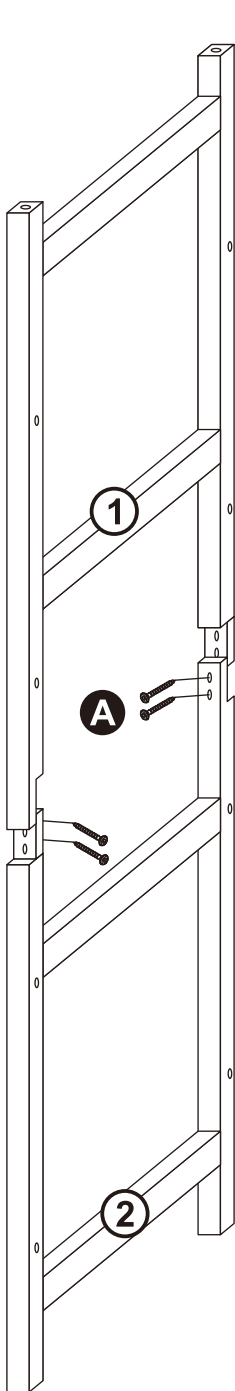
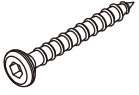
ASSEMBLY INSTRUCTION



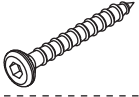
A x 46 **B** x 1
 +2 (spare)
 M5x30mm



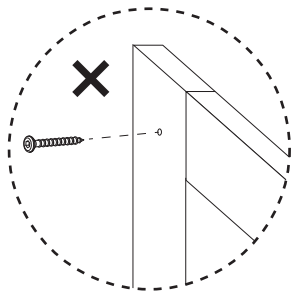
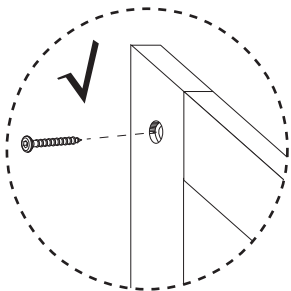
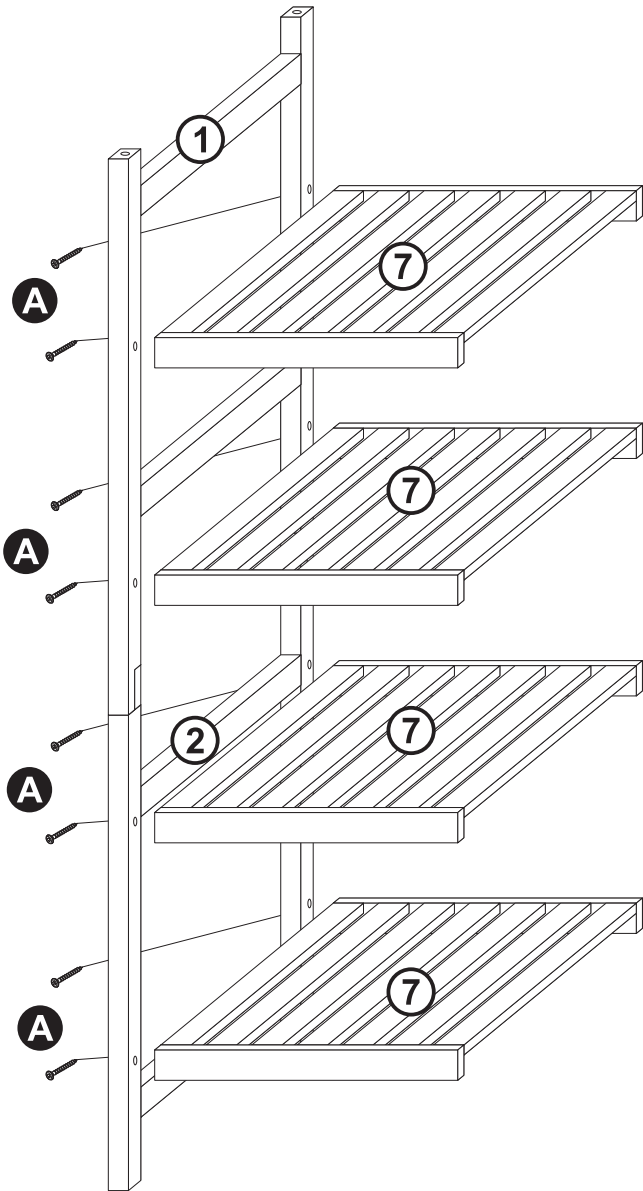
A x 12



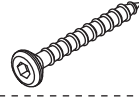
A x 8



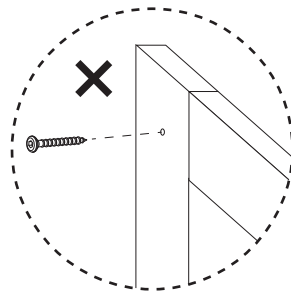
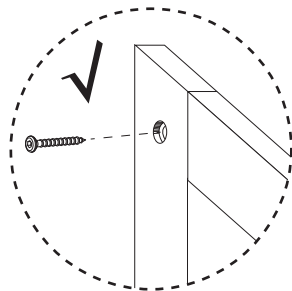
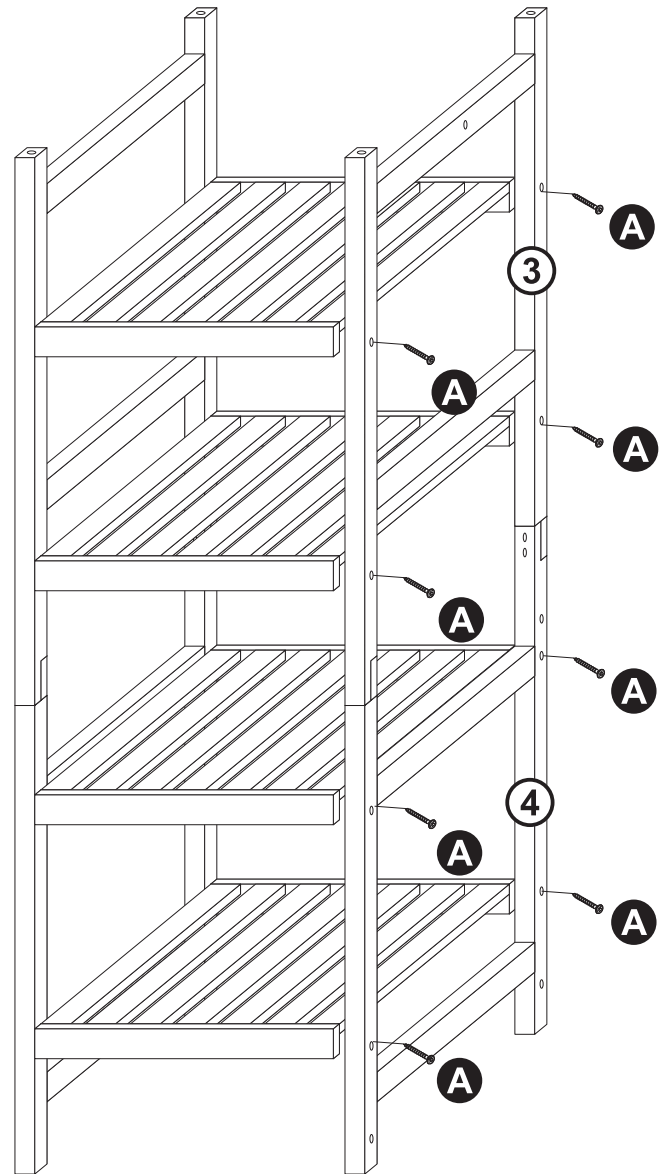
02



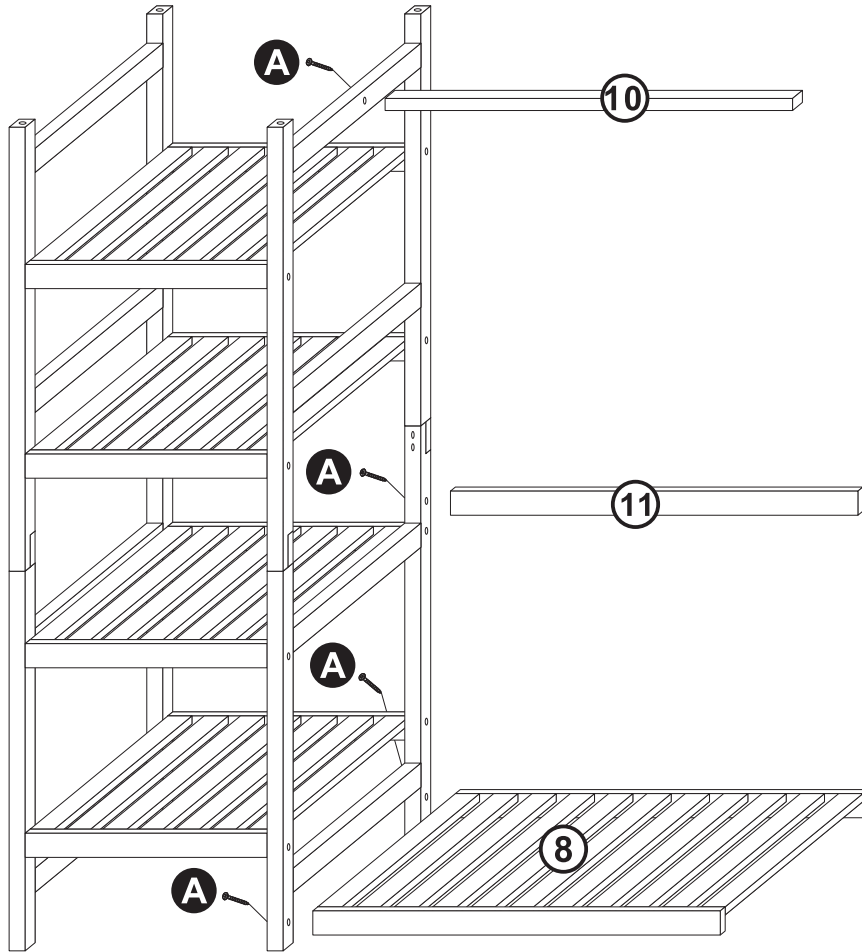
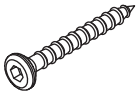
A x 8



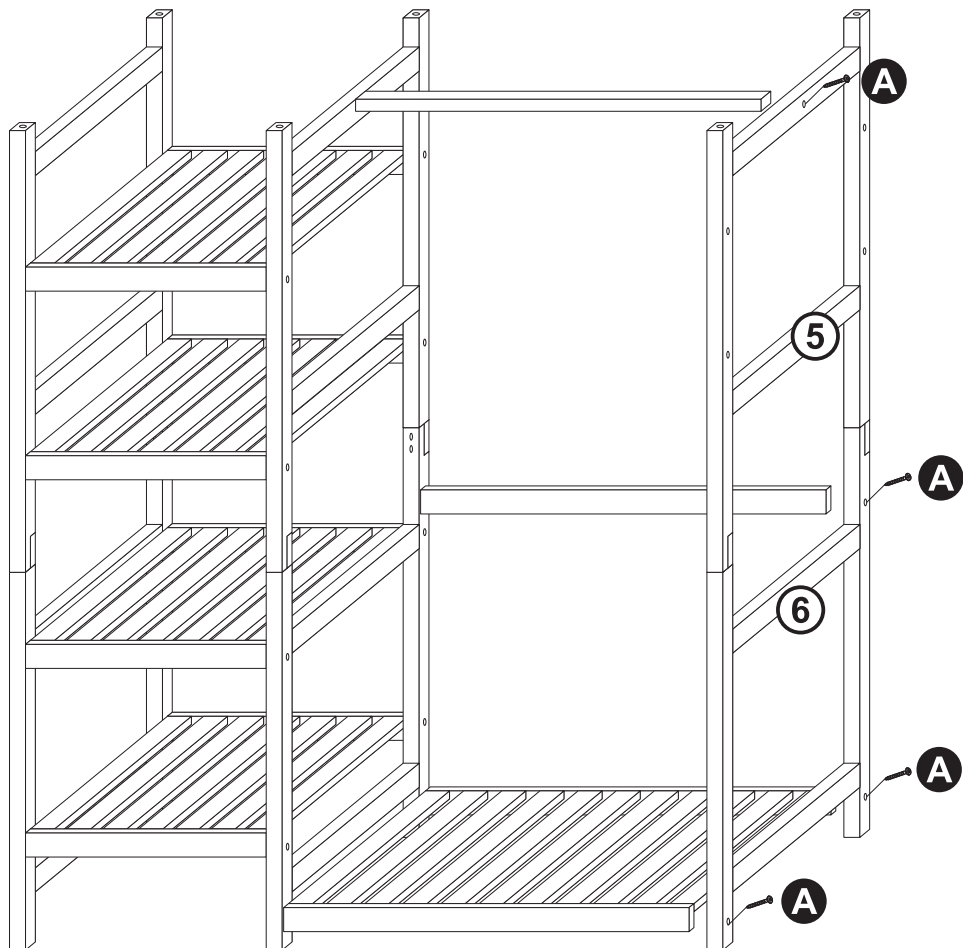
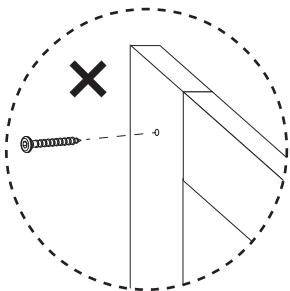
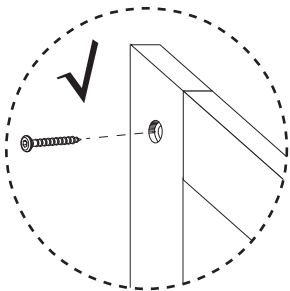
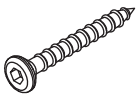
03



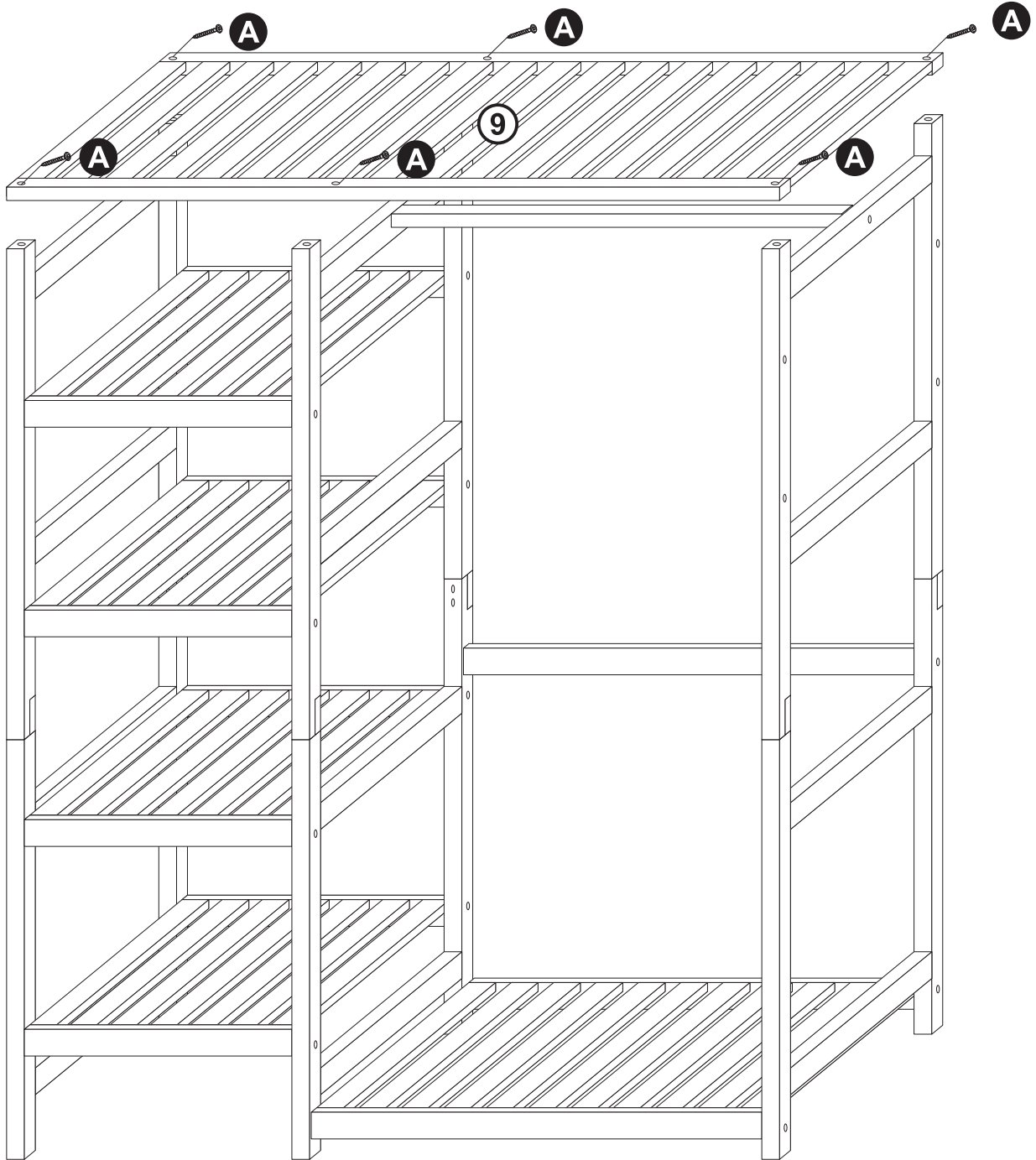
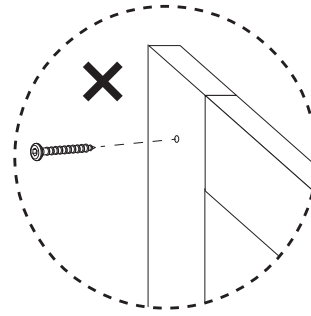
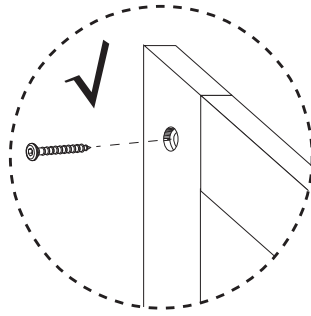
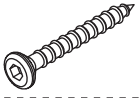
A x 4



A x 4



A x 6



A x 4

