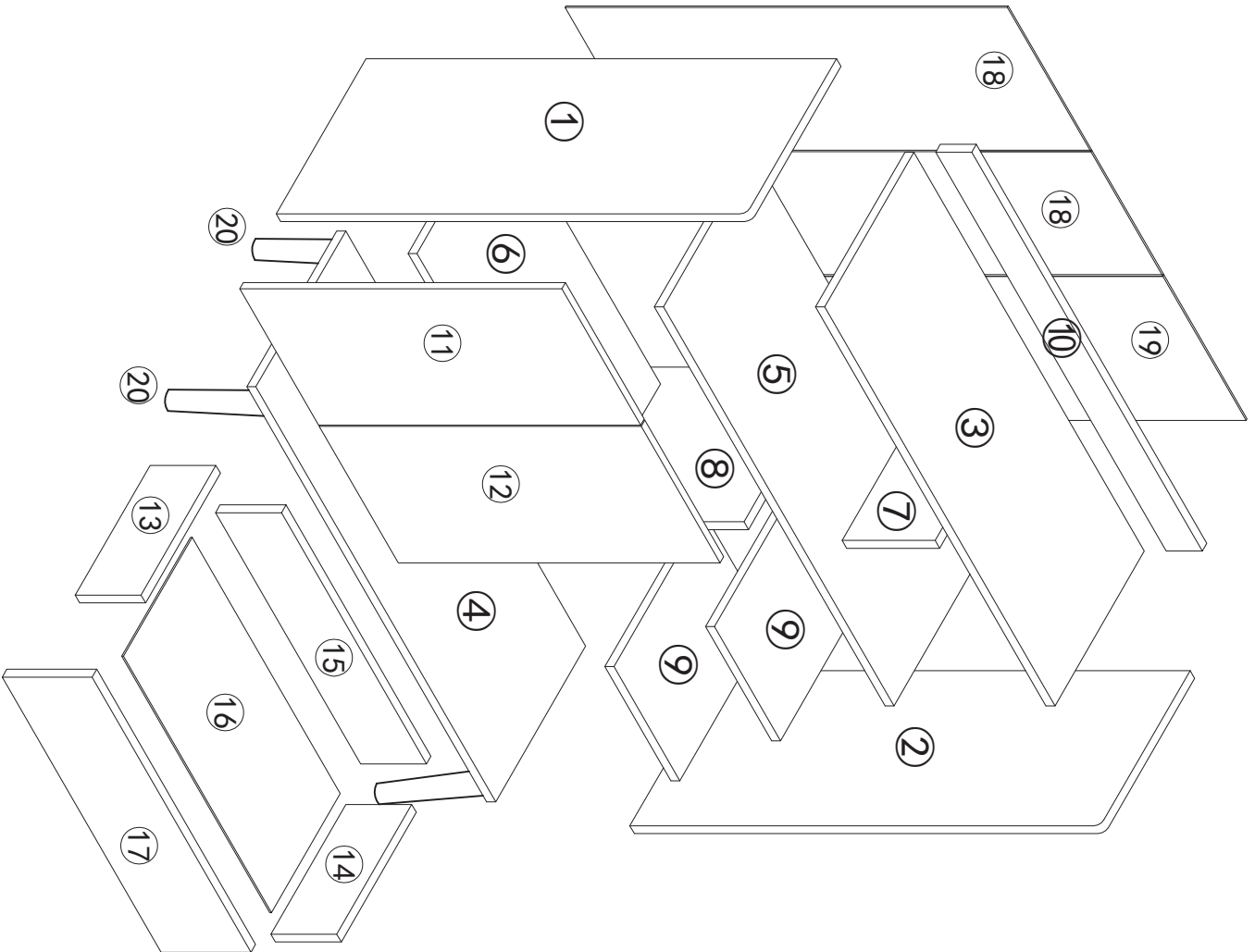
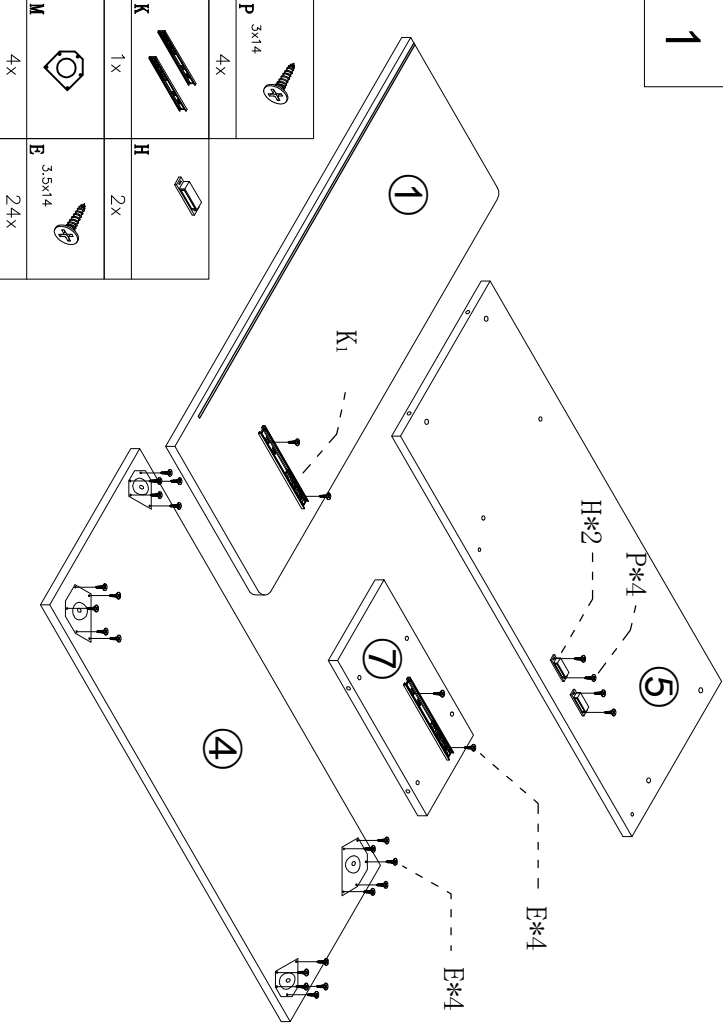


837-018

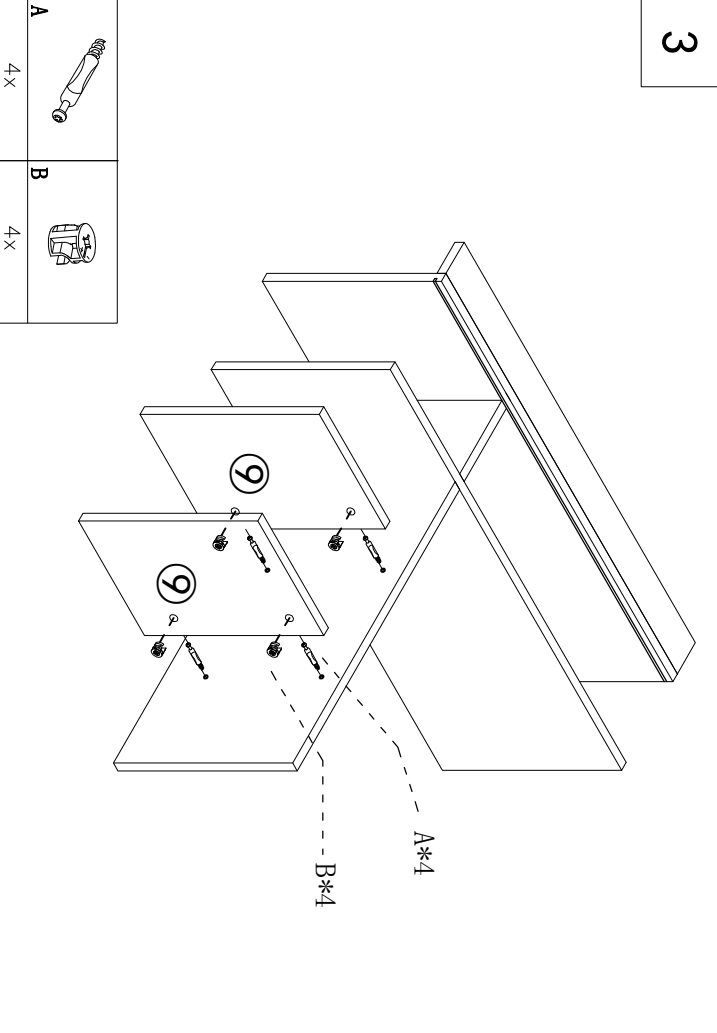


<b>A</b> 30x 	<b>B</b> 30x 
<b>C</b> 7x50 	<b>D</b> 3.5x30 
<b>E</b> 3.5x14 	<b>F</b> 3x 
<b>G</b> 4x 	<b>H</b> 2x 
<b>I</b> 3x10 	<b>J</b> 18mm 
<b>K</b> 4x K1 K2 K3 K4 	<b>L</b> 16x 
<b>M</b> 4x 	<b>N</b> 2x 
<b>O</b> 2x 	<b>P</b> 3x14 
<b>Q</b> 4x 	

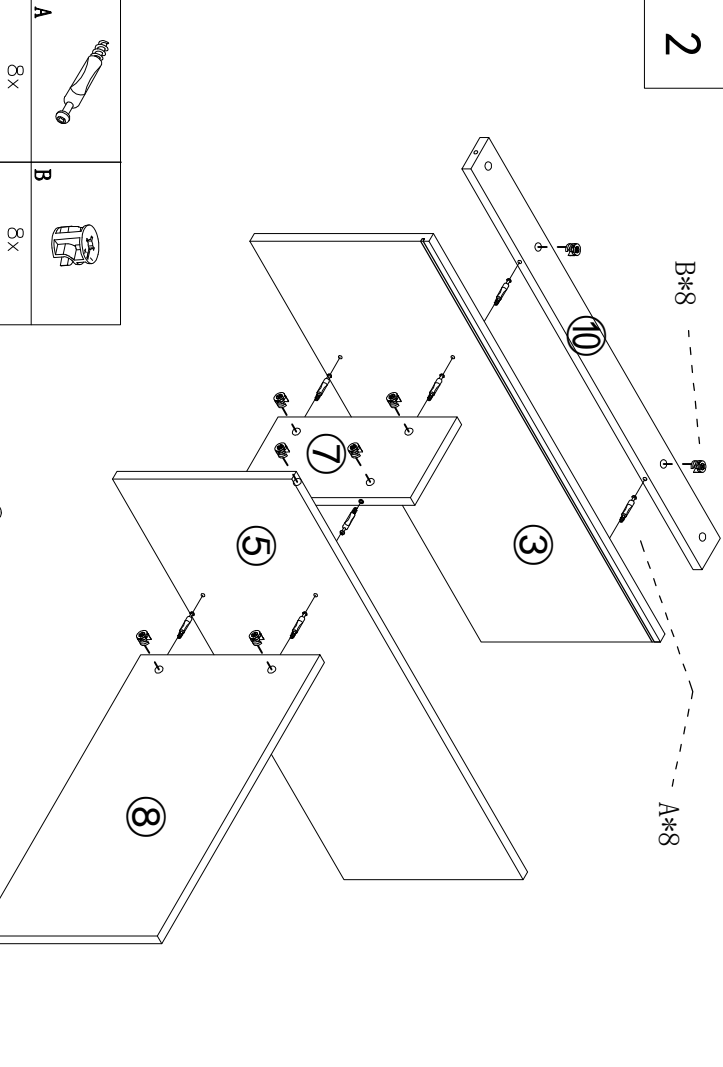
1



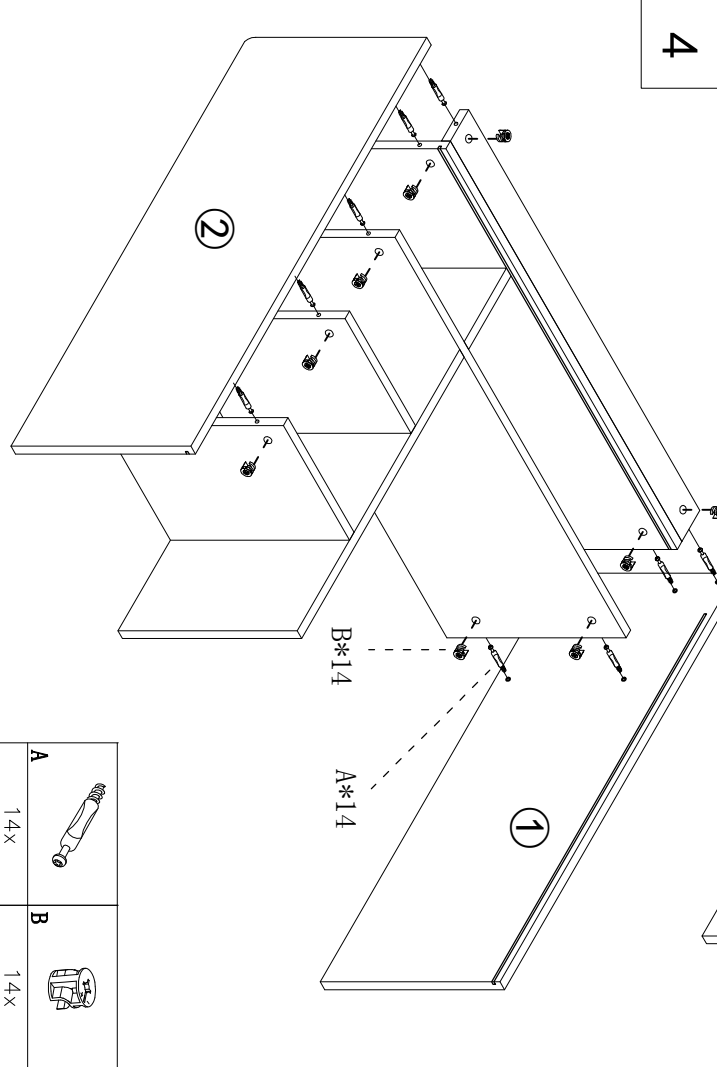
3



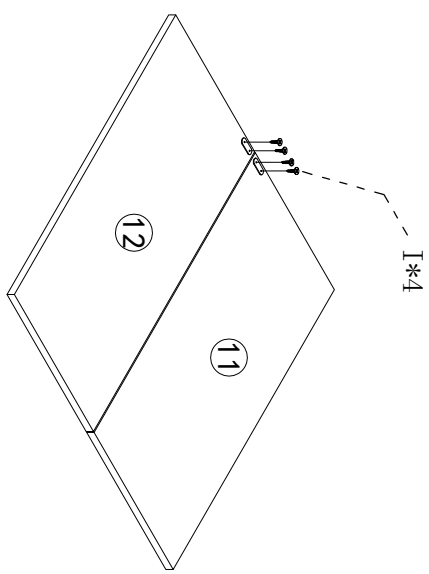
2



4

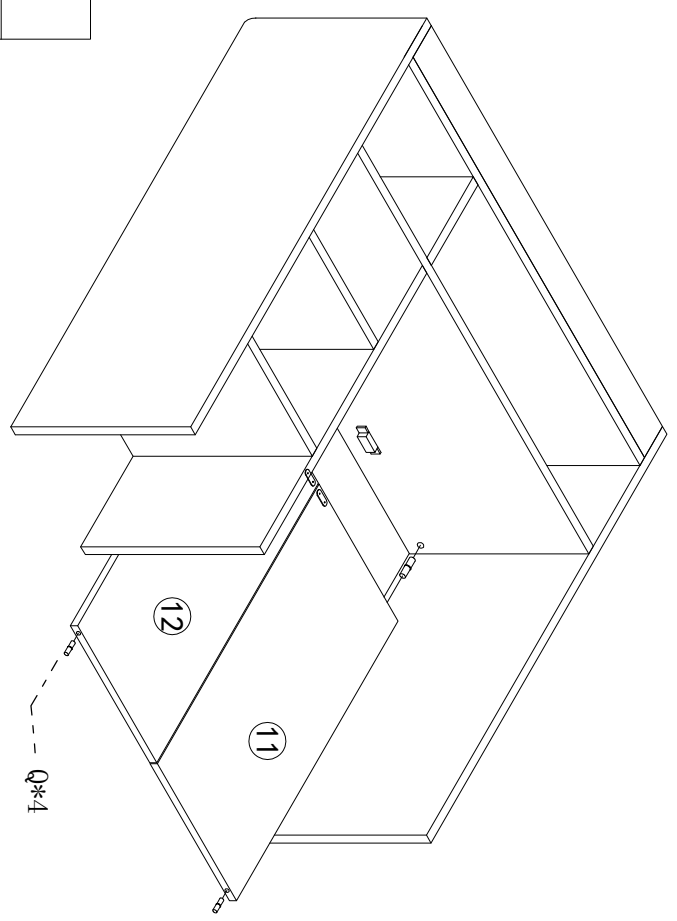


5



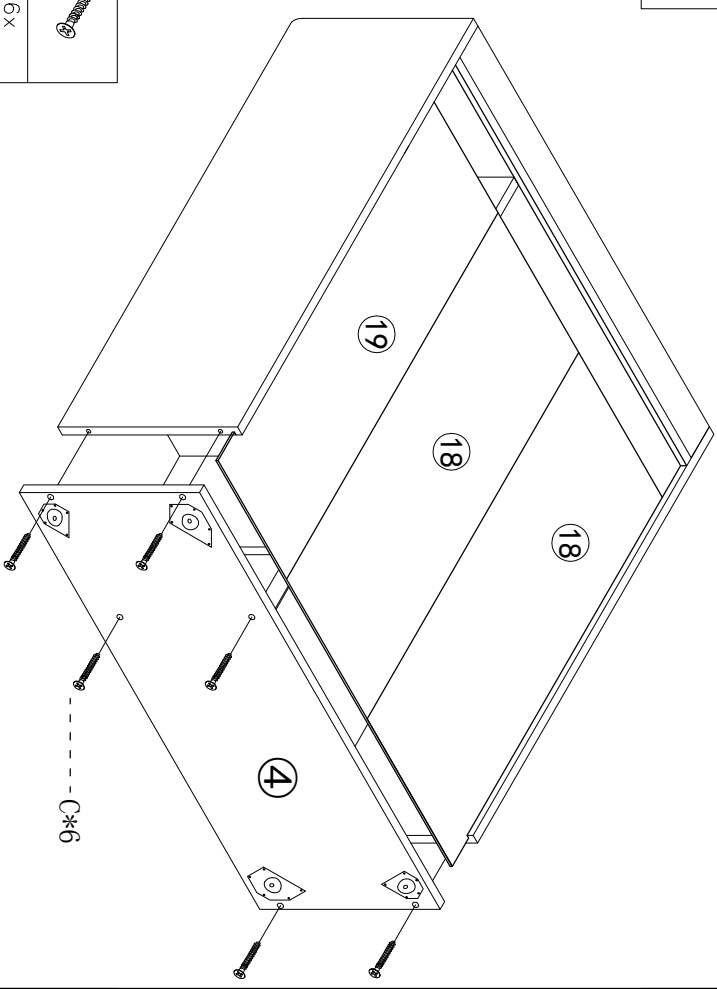
H		I 3*10	4x
2x			

6



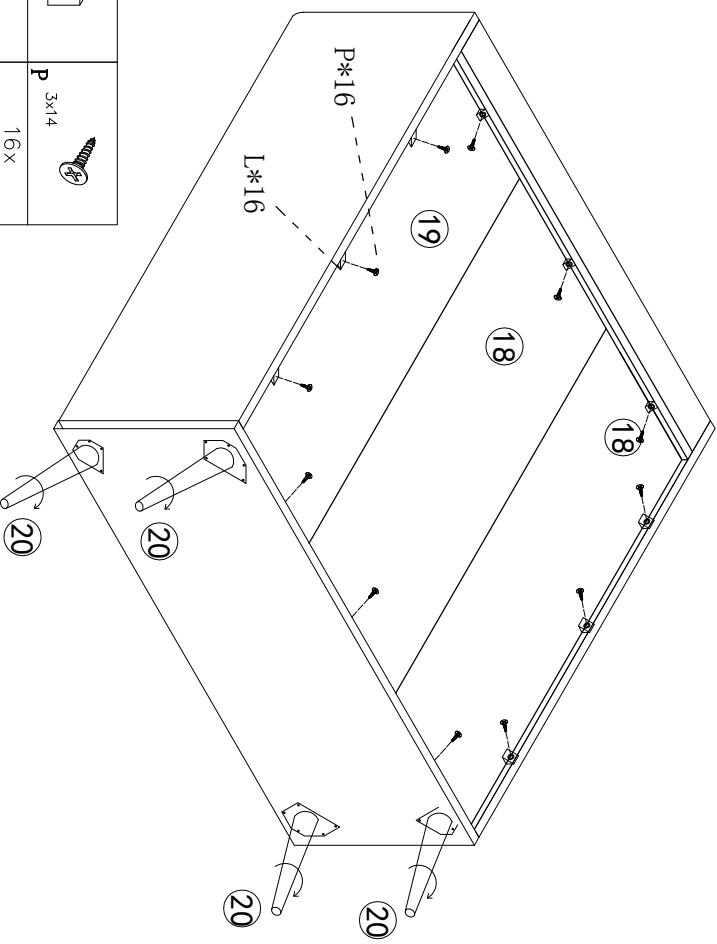
Q			4x

7



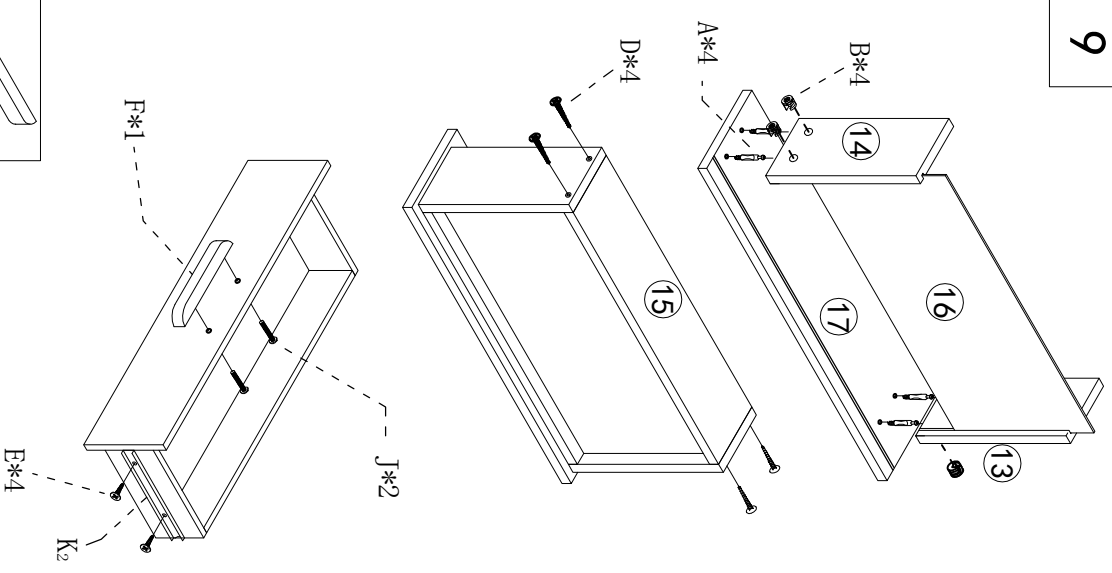
C		7x50	6x

8



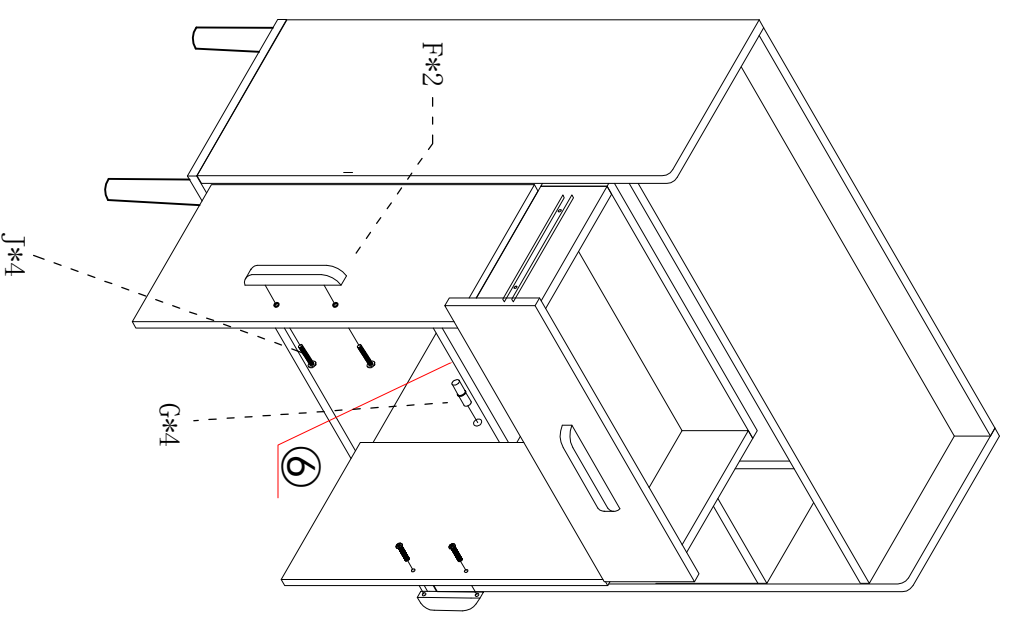
L		O	16x
P		3x14	16x

9



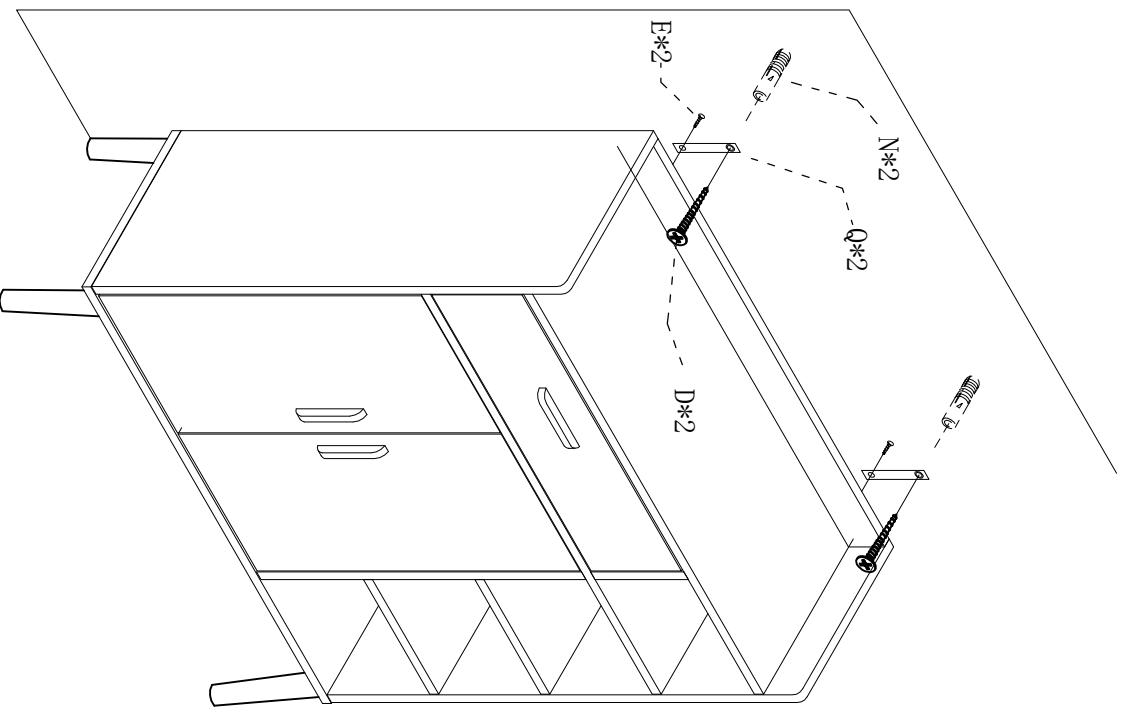
<b>F</b> 1x 	<b>K<sub>2</sub></b> K <sub>2</sub> K <sub>2</sub> 1x 	<b>B</b> 4x 
<b>J</b> 18mm 2x 	<b>K</b> K <sub>2</sub> K <sub>2</sub> 1x 	<b>A</b> 4x 
<b>D</b> 3.5x30 4x 	<b>E</b> 3.5x14 4x 	

10



<b>F</b> 2x 	<b>J</b> 18mm 4x 
<b>G</b> 4x 	

11



<b>N</b> 2x 	<b>Q</b> 2x 	<b>D</b> 3.5x30 2x 	<b>E</b> 3.5x14 2x 
--------------------	--------------------	---------------------------	---------------------------