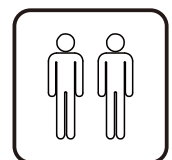
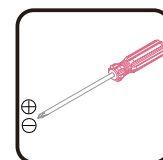
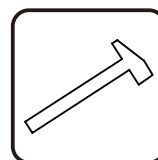
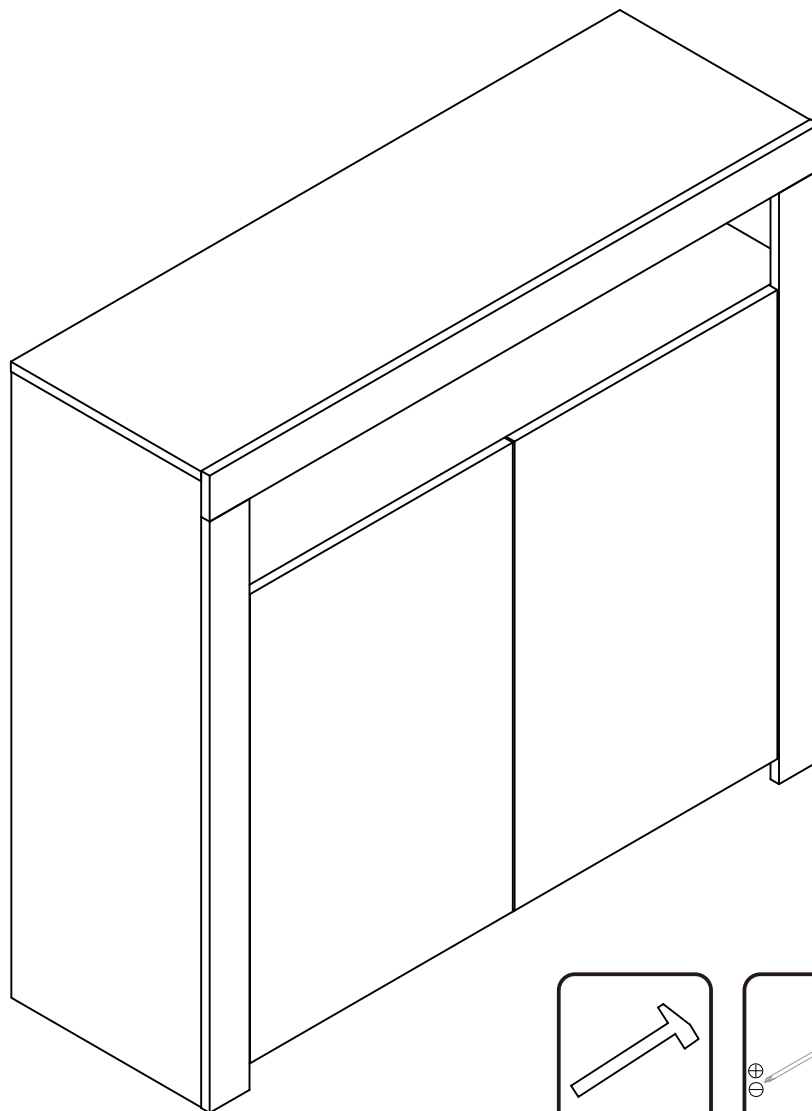




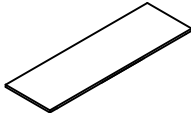
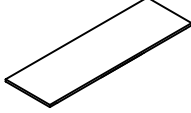
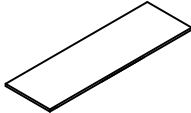
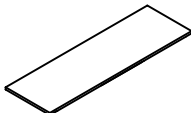
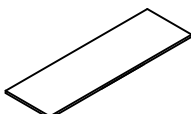
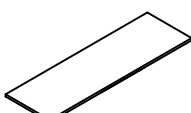
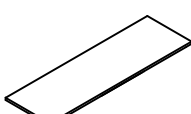
INcpa019V02\_GL

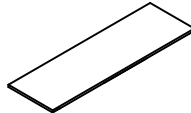
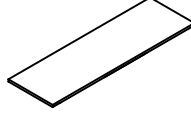
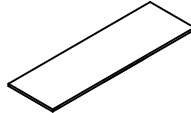
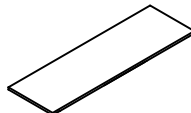
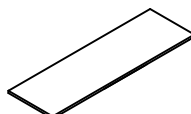
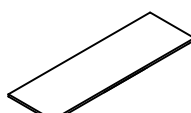
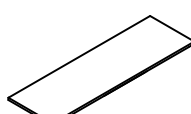
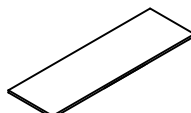

**837-118V70\_837-118V90**



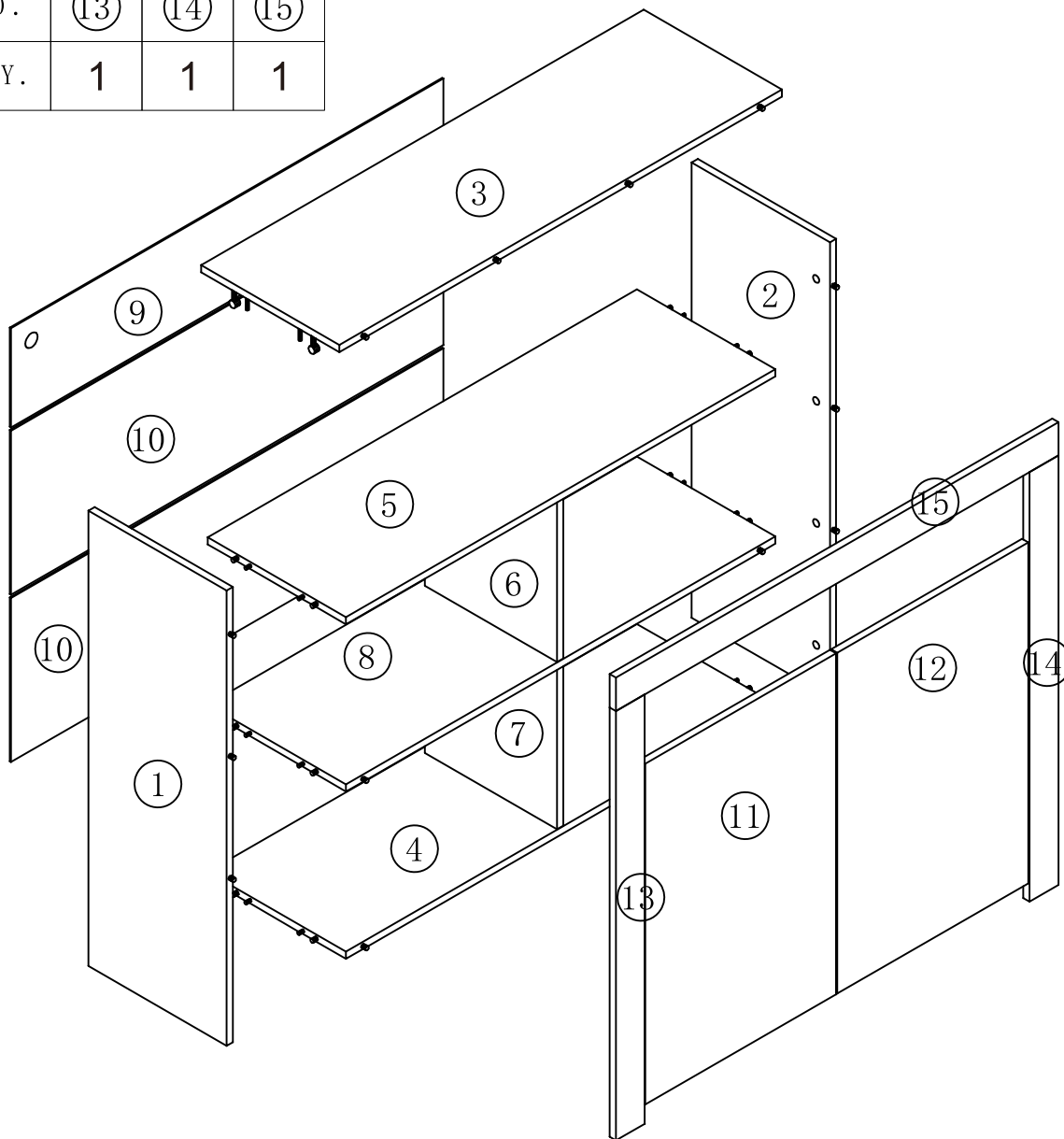
IMPORTANT, RETAIN FOR FUTURE REFERENCE: READ CAREFULLY

**ASSEMBLY & INSTRUCTION MANUAL**






<b>BOX 1-2</b>		<b>15</b> x 1
		<b>3</b> x 1
		<b>4</b> x 1
		<b>5</b> x 1
		<b>8</b> x 1
		<b>10</b> x 2
		<b>9</b> x 1

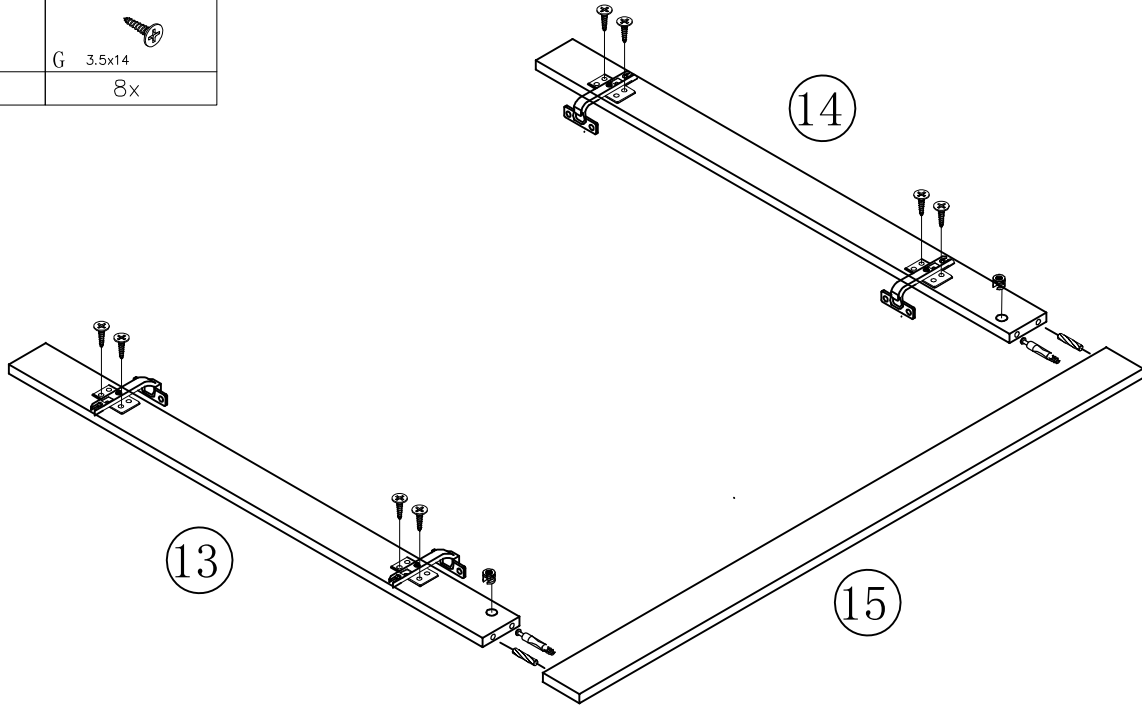
<b>BOX 2-2</b>		<b>1</b> x 1
		<b>2</b> x 1
		<b>6</b> x 1
		<b>7</b> x 1
		<b>11</b> x 1
		<b>12</b> x 1
		<b>13</b> x 1
		<b>14</b> x 1
		Hardware Kit



NO.	①	③	④	⑤	⑥	⑦	⑧	⑨	⑩	⑪	⑫
QTY.	1	1	1	1	1	1	1	1	2	1	1
NO.	⑬	⑭	⑮								
QTY.	1	1	1								

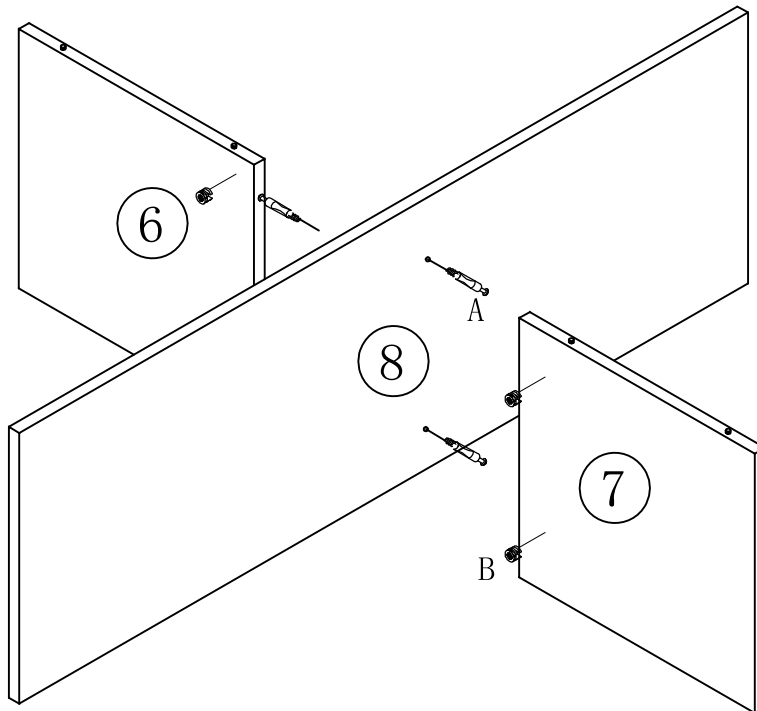




NO.	QTY.	LINEDRAWING	NO.	QTY.	LINEDRAWING
Ⓐ	42		Ⓚ	1	
Ⓑ	42		Ⓜ	20	
Ⓒ	18		Ⓝ	30	
Ⓓ	1		Ⓓ	2	
Ⓔ	4		Ⓙ	4	
Ⓕ	3		Ⓛ	2	
Ⓖ	30		Ⓢ	6	
Ⓘ	1		Ⓣ	2	
Ⓚ	1		Ⓤ	4	
Ⓝ	30		Ⓡ	42	
Ⓓ	2		Ⓡ	42	
Ⓙ	4		Ⓡ	42	
Ⓛ	2		Ⓡ	42	
Ⓜ	20		Ⓡ	42	

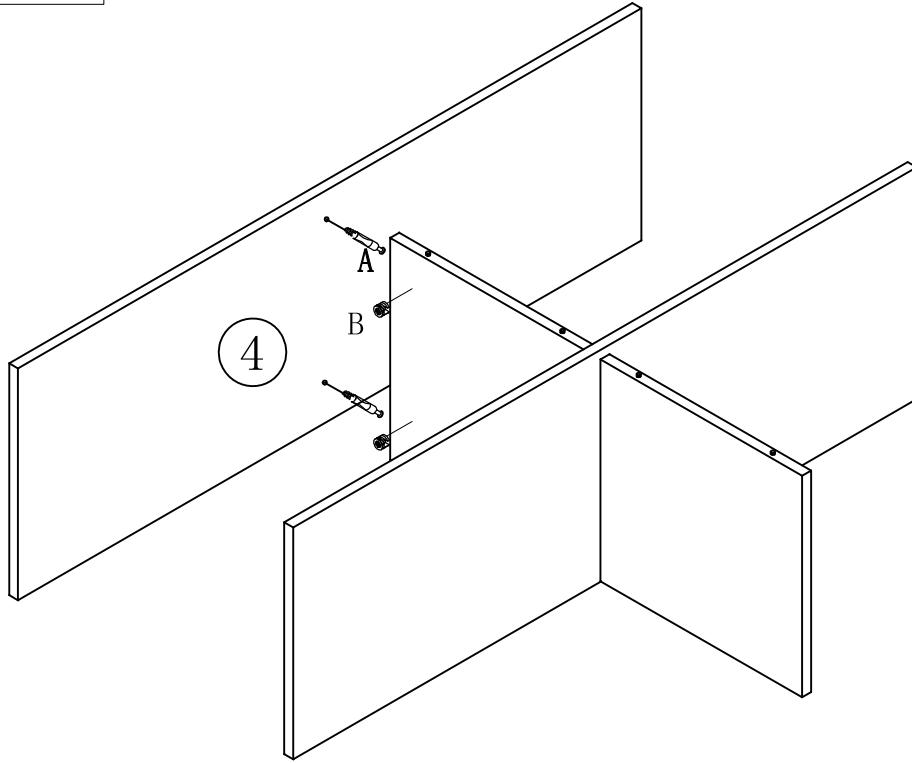
 A 2x	 B 2x	 C 2x
 E 4x	 G 3.5x14 8x	

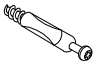



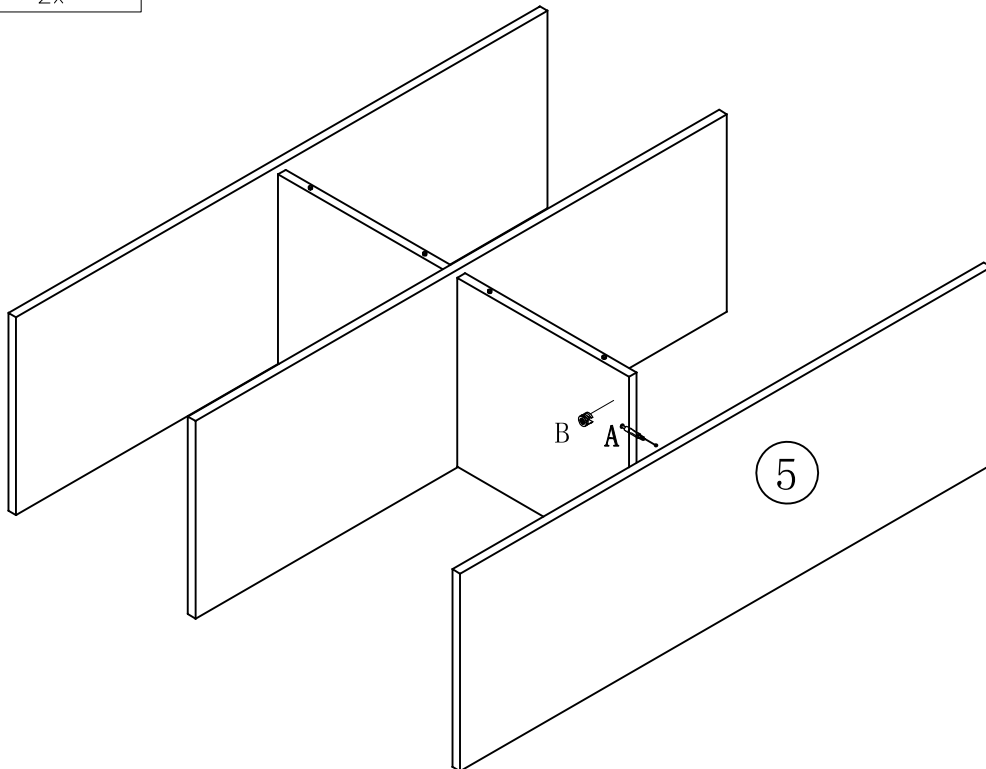
 A 4x	 B 4x
--	--



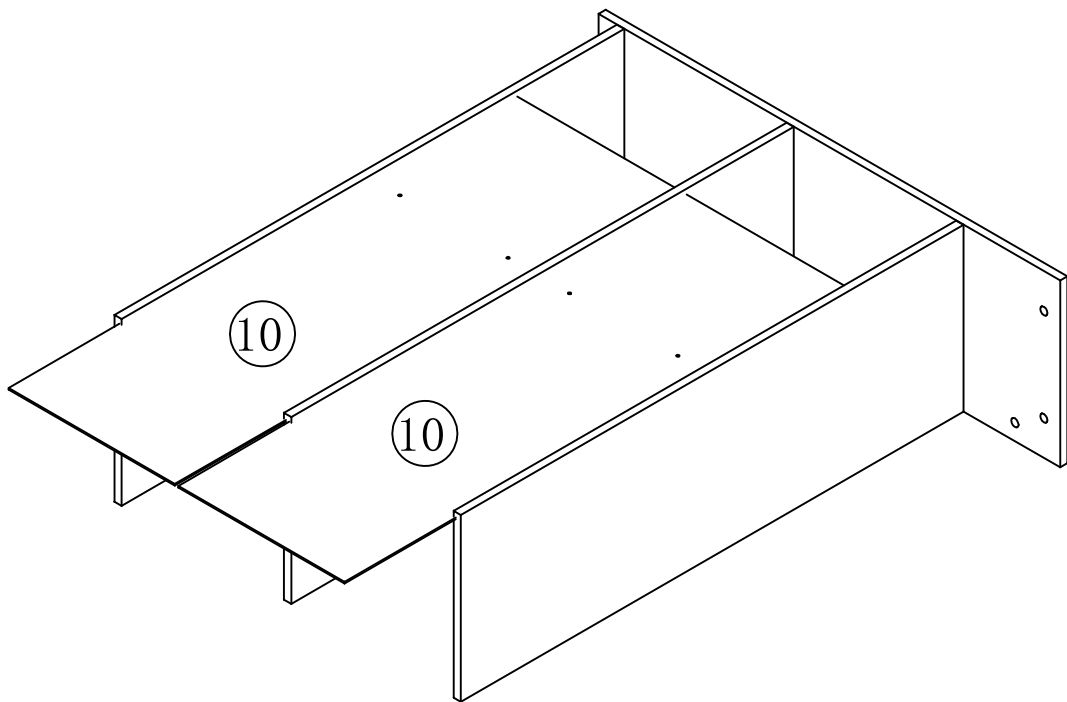
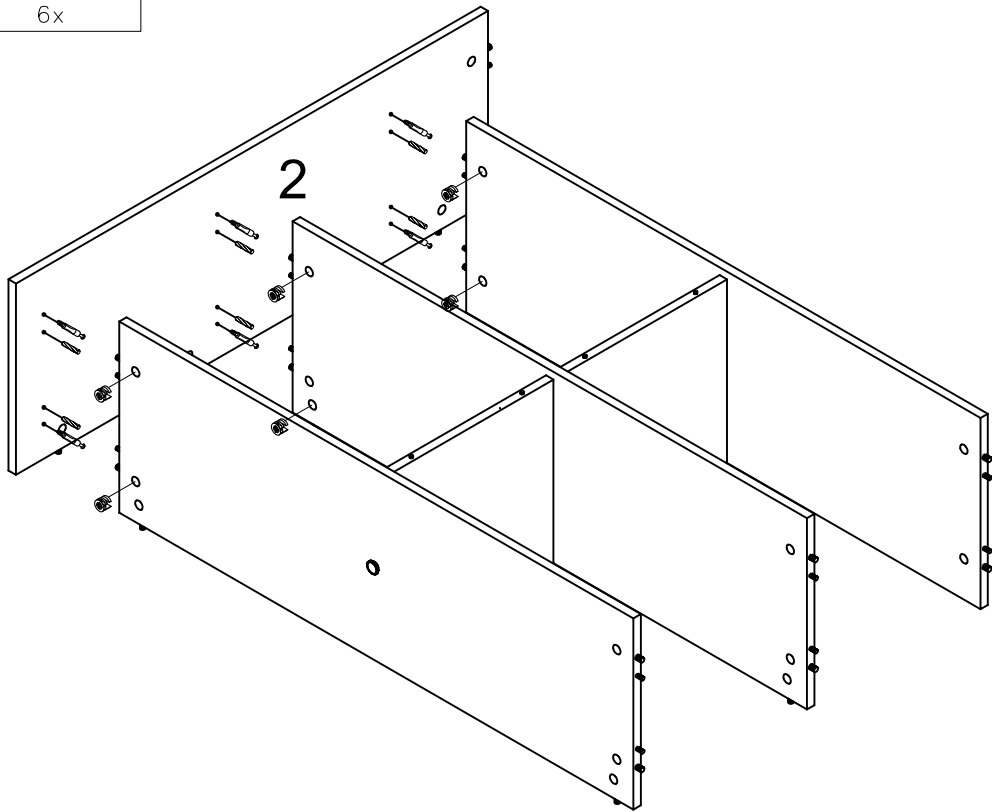
 A	 B
2x	2x






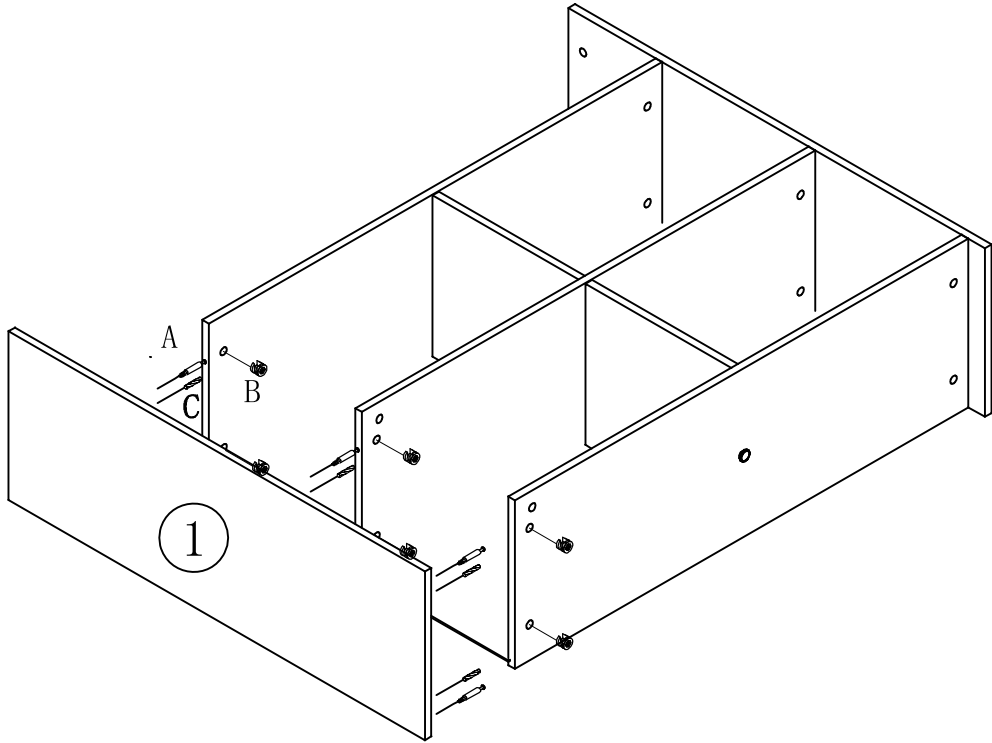
 A	 B
2x	2x







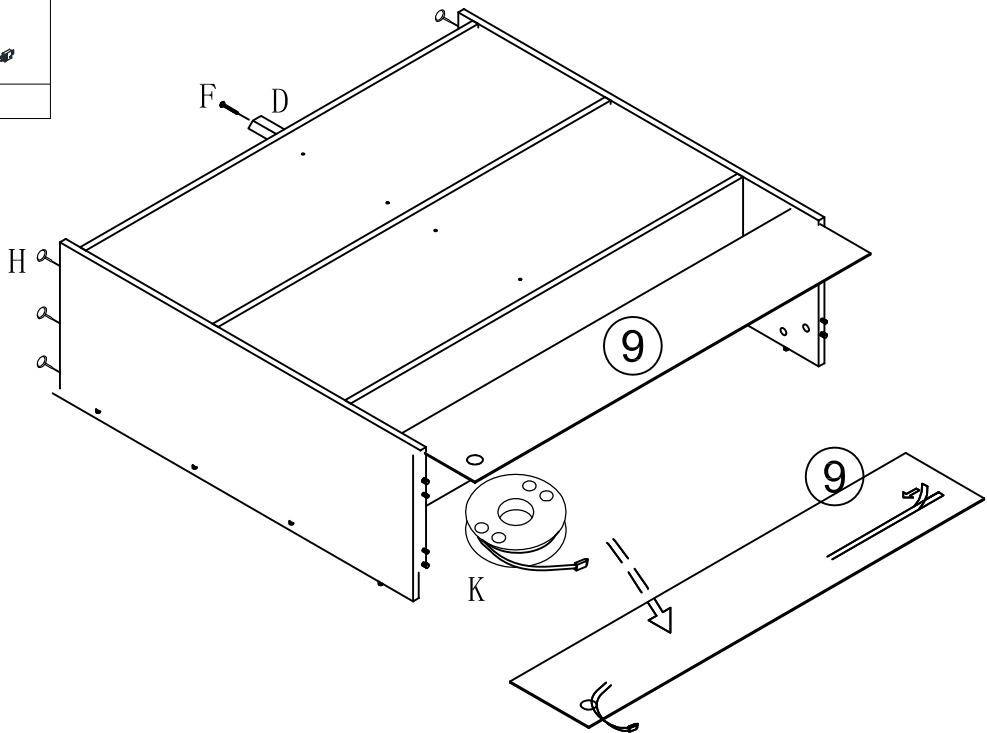
A 6x	B 6x
C 6x	








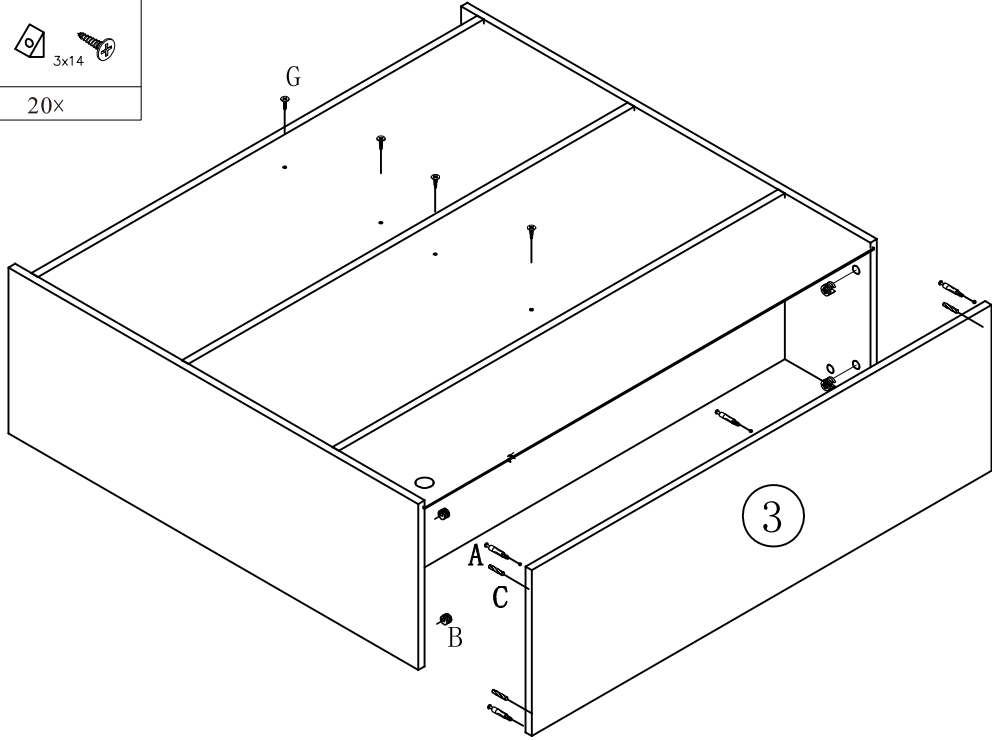
 <p>A</p>	 <p>B</p>	 <p>C</p>
<p>6x</p>	<p>6x</p>	<p>6x</p>





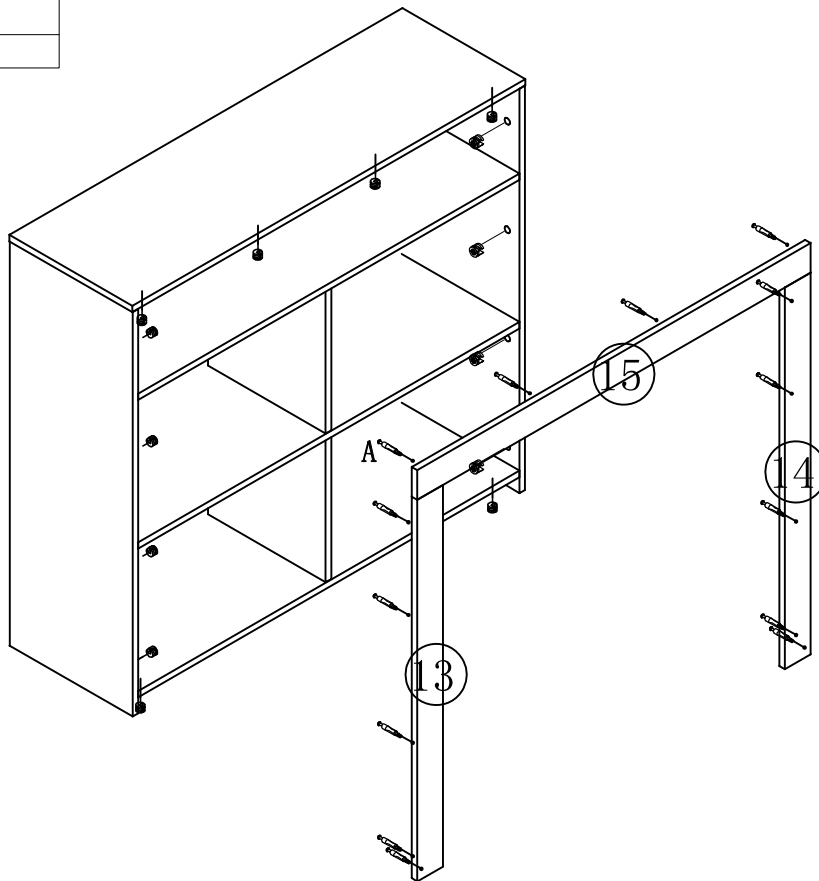
 <p>D</p>	 <p>F</p>
<p>1x</p>	<p>1x</p>
 <p>H</p>	 <p>K</p>
<p>6x</p>	<p>1x</p>



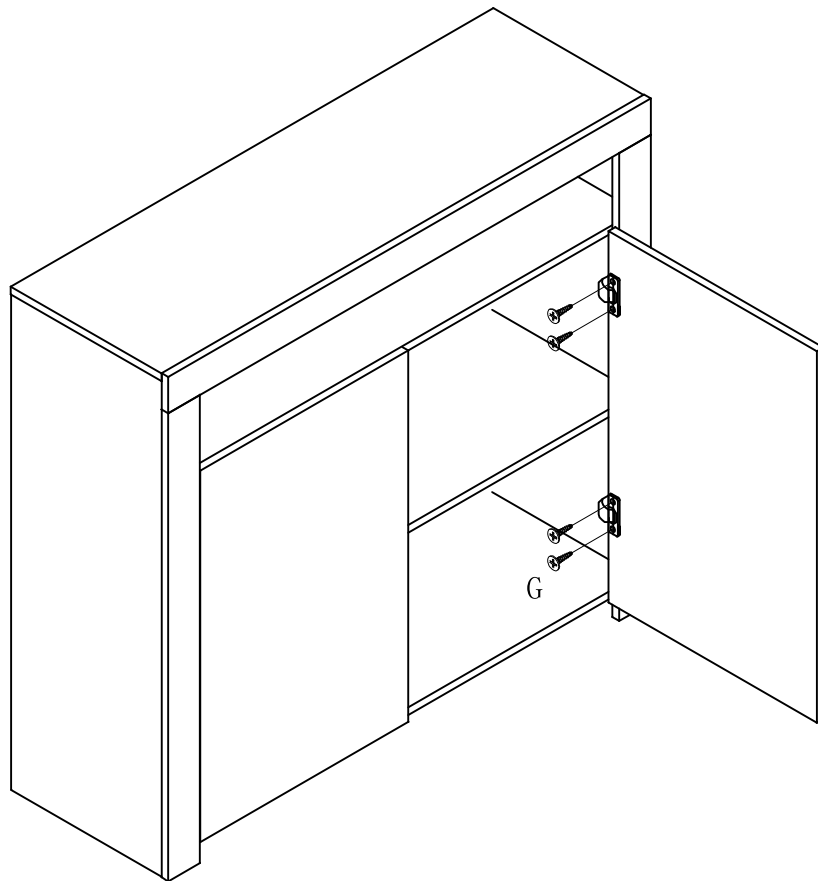
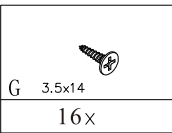
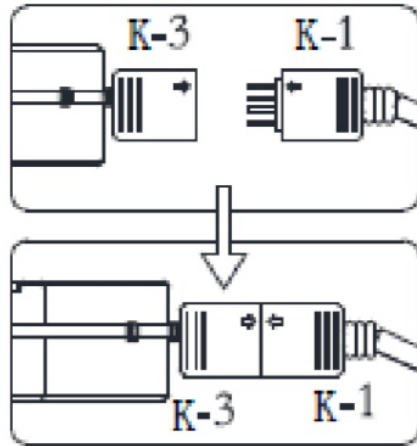
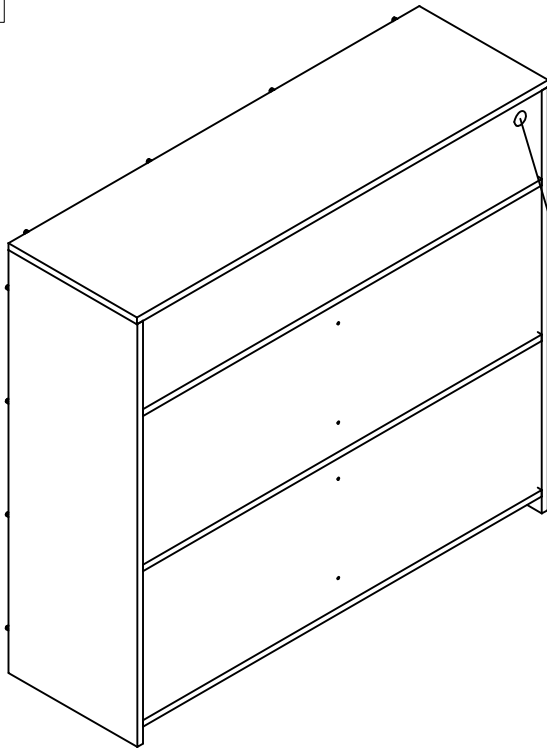
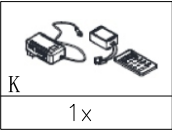
 A 6x	 B 6x	 C 4x
 G 3.5x14 4x	 M 3x14 20x	



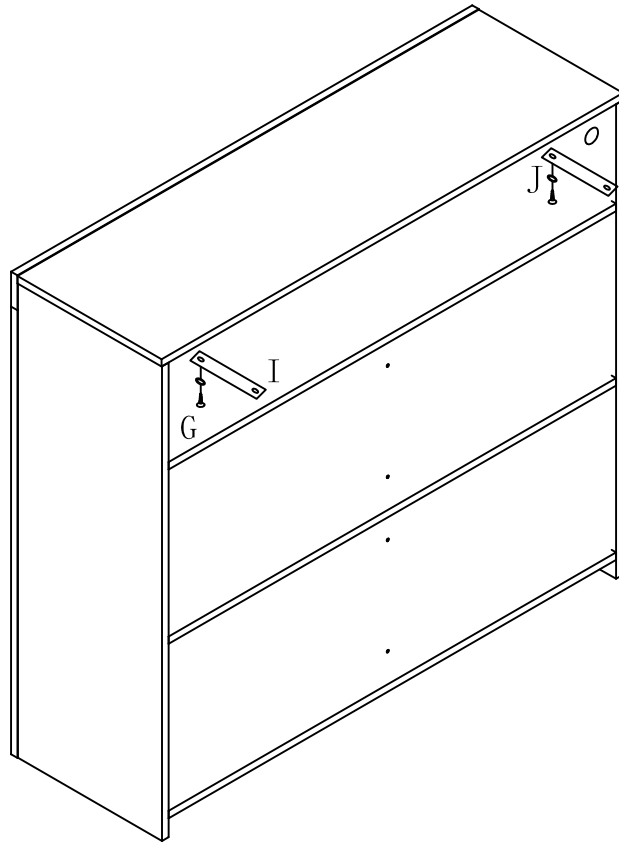
 A 14x	 B 14x
---	---



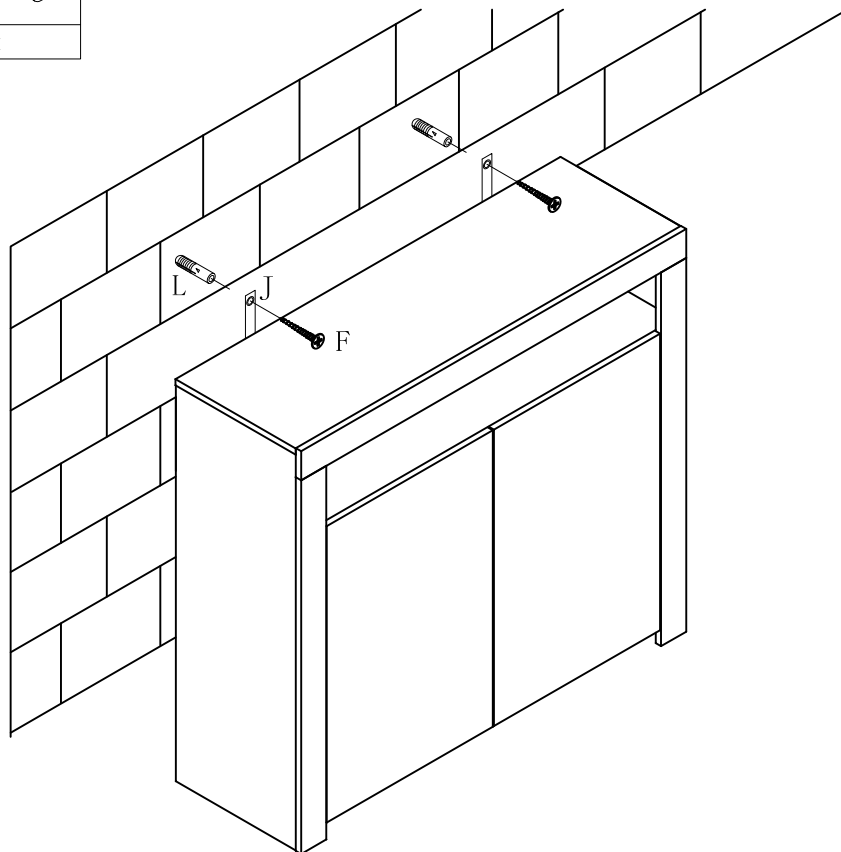




I 2x	J 2x
G 3.5x14 2x	



L 2x	F 3.5x35 2x
J 2x	



Model identifie		
Input voltage	100-240	V
Input AC frequency	50/60	Hz
Output voltage	12	V
Output current	2	A
Output power	24	W
Average active efficiency	/	%
Efficiency at low load (10 %)	/	%
No-load power consumption	/	W