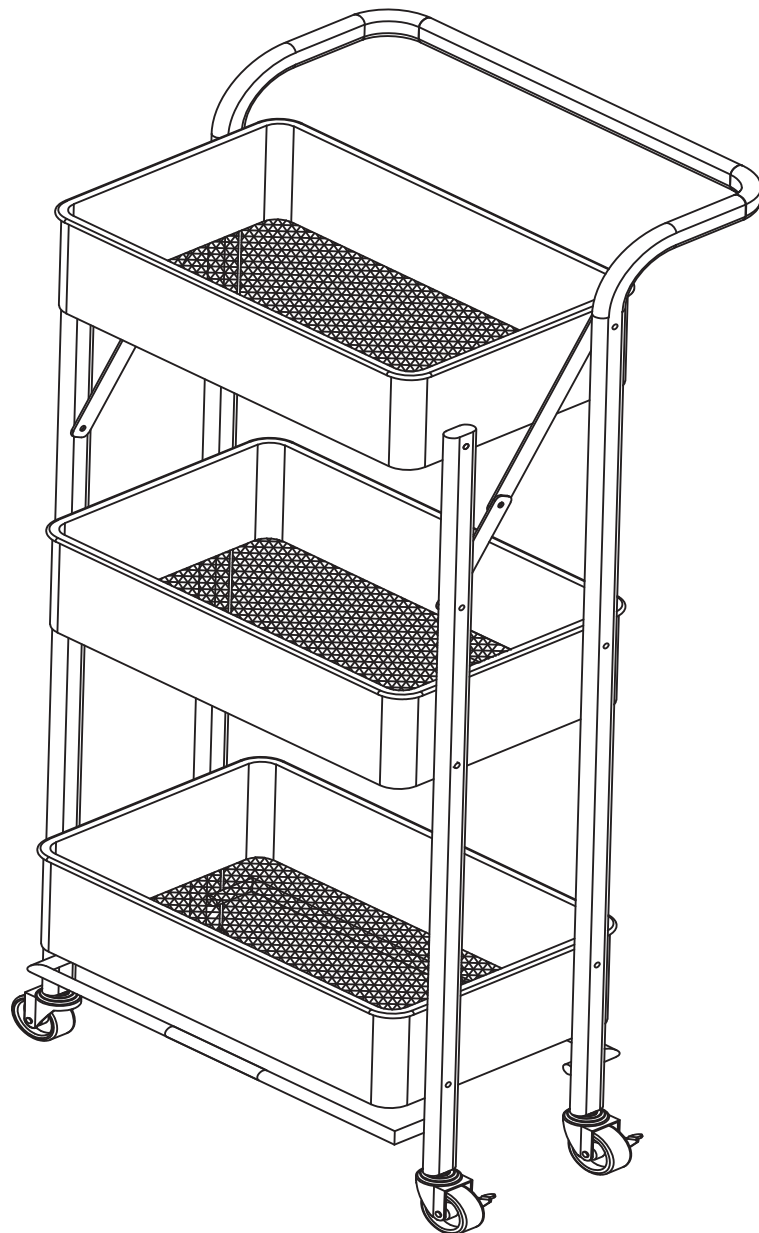




INcpc014\_US\_CA\_UK\_ES\_DE\_IT

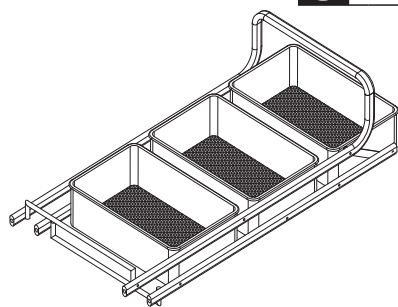
**850-161**



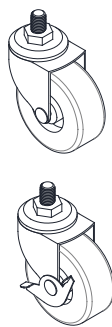
IMPORTANT, RETAIN FOR FUTURE REFERENCE: READ CAREFULLY

**ASSEMBLY & INSTRUCTION MANUAL**

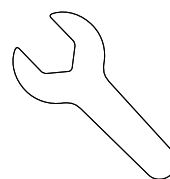
① x 2



② x 2



③ x 1



01

1

