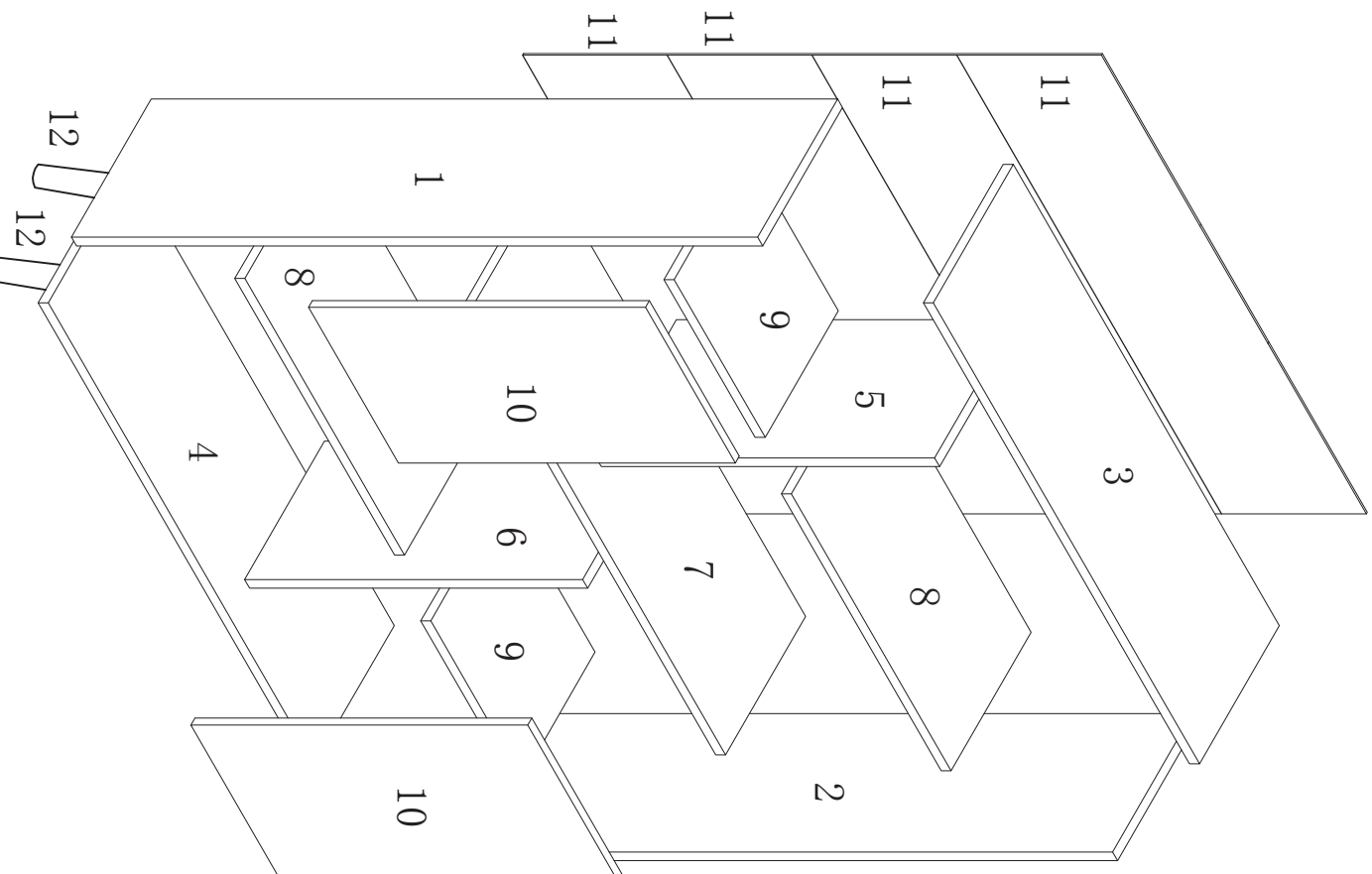
















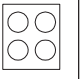
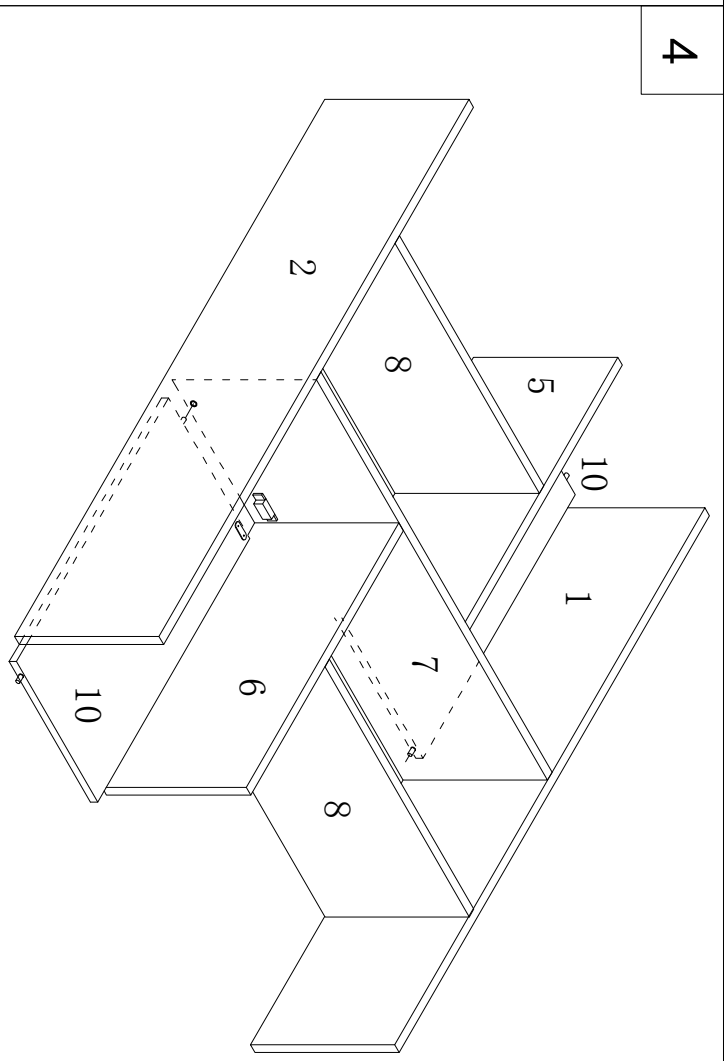
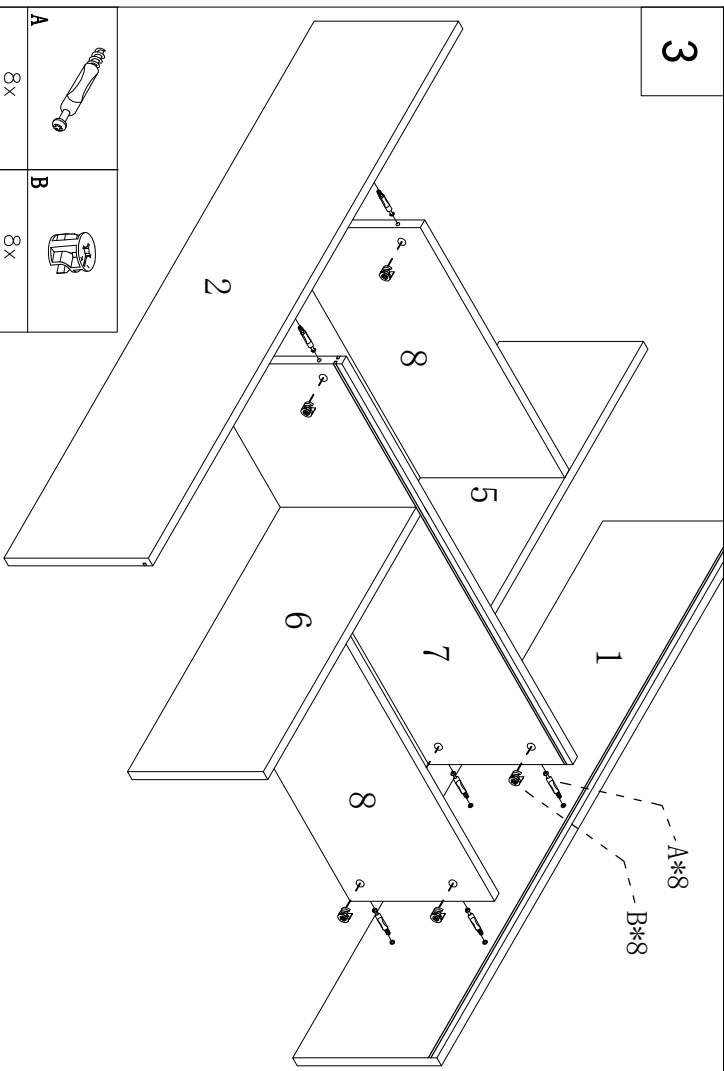
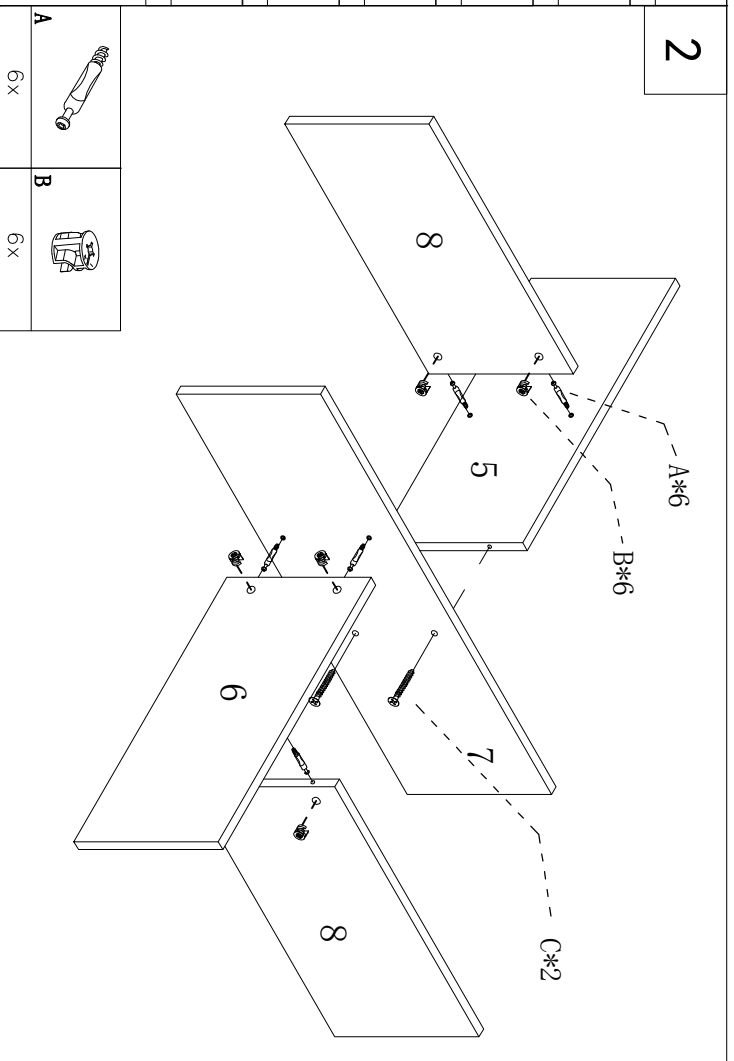
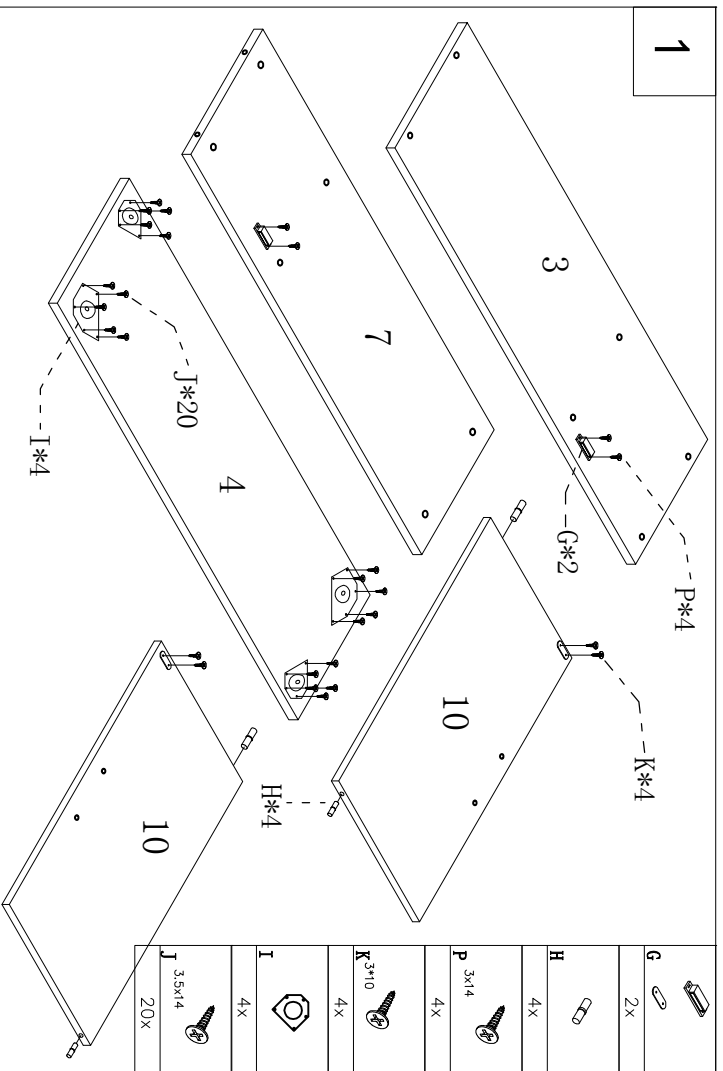


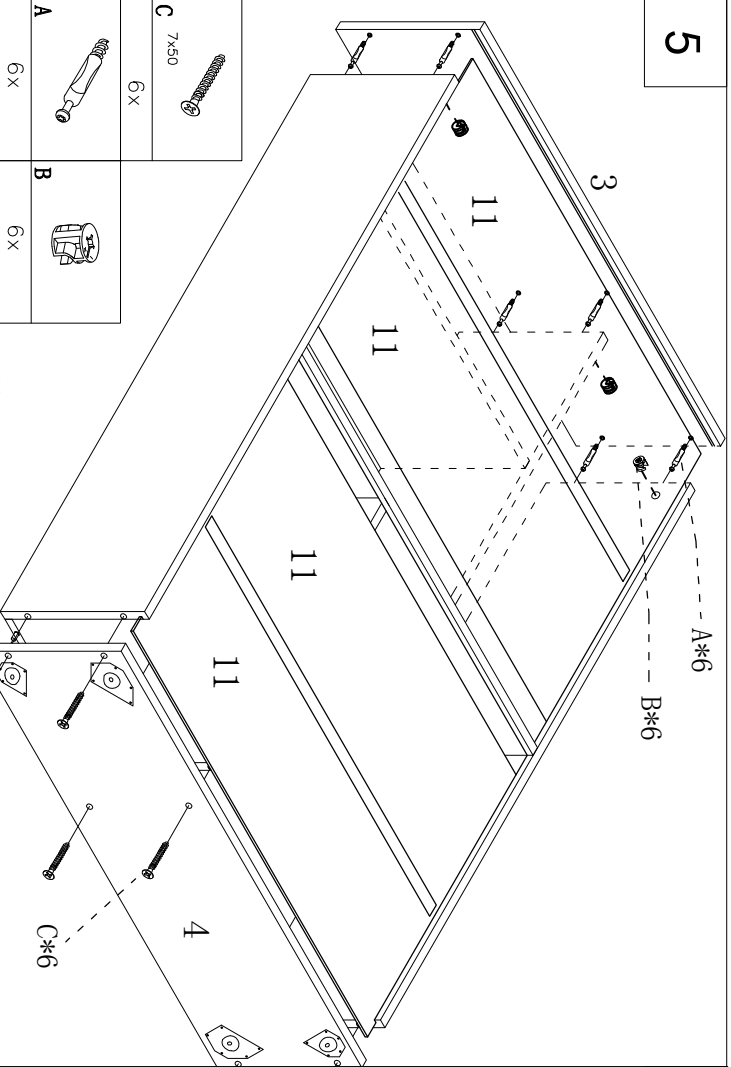
836-113



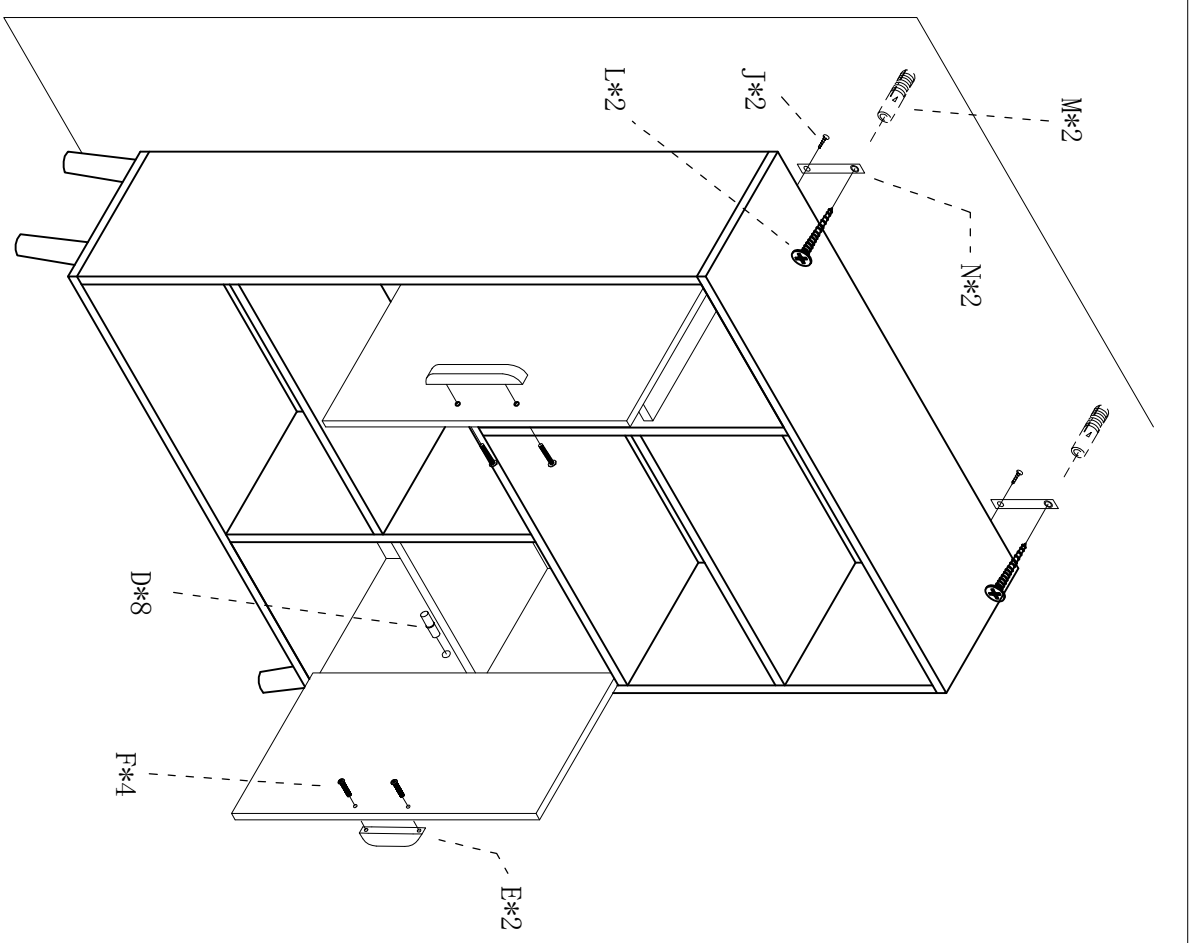
A 20x 	B 20x 
C 7x50 8x 	D 8x 
E 2x 	F 18mm 4x 
G 2x 	H 52x 
I 4x 	J 3.5x14 22x 
K ^{3**10} 4x 	L ^{3.5x30} 2x 
M 2x 	N 2x 
O 16x 	P ^{3x14} 20x 
Q 20x 	



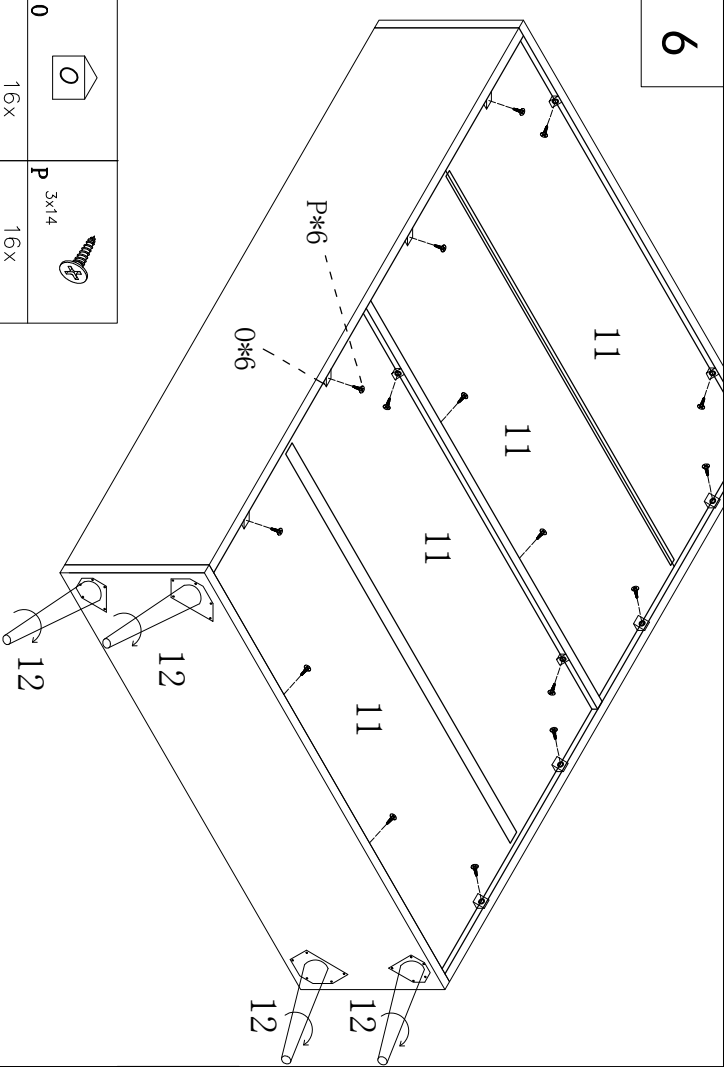
5



7



6



0	P 3x14
---	--------

16x	16x
-----	-----

E	D
---	---

2x	8x
----	----

F 18mm	L 3.5x30
--------	----------

4x	2x
----	----

J 3.5x14	M
----------	---

2x	2x
----	----

	N
--	---

	2x
--	----