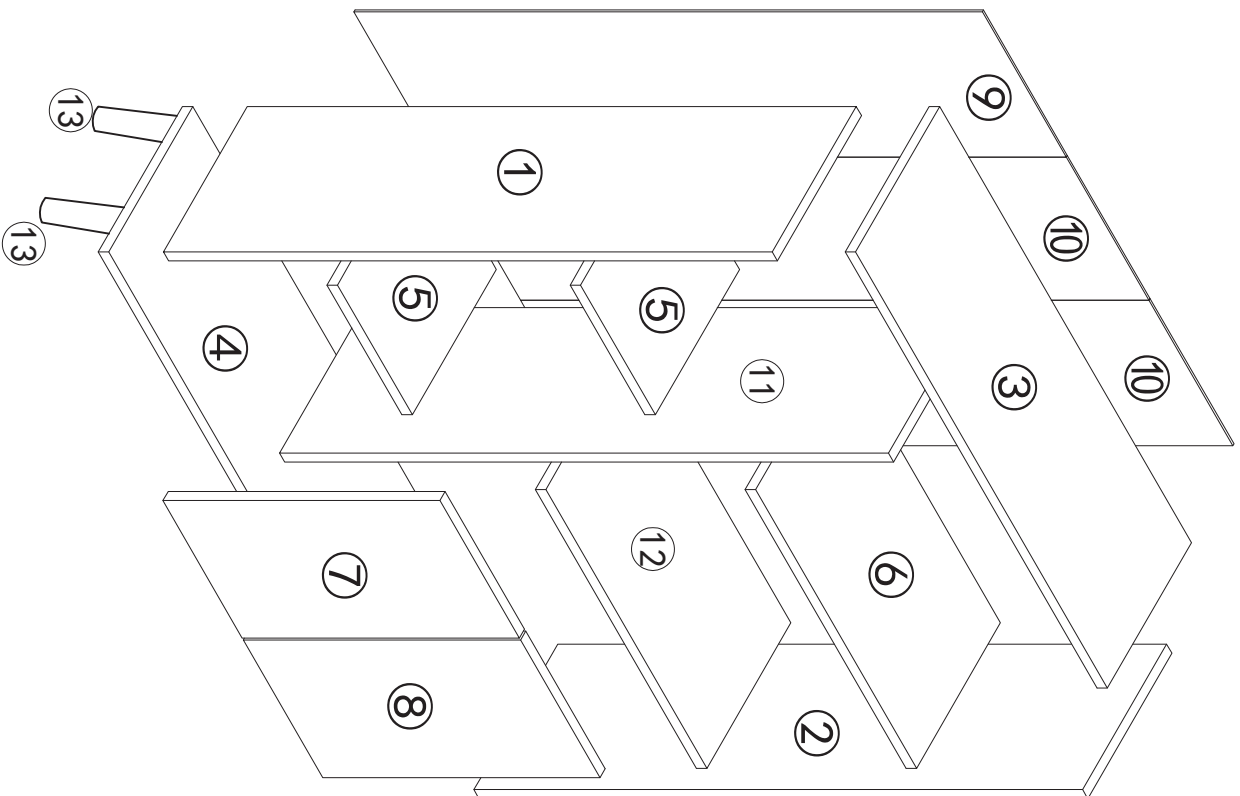














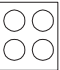
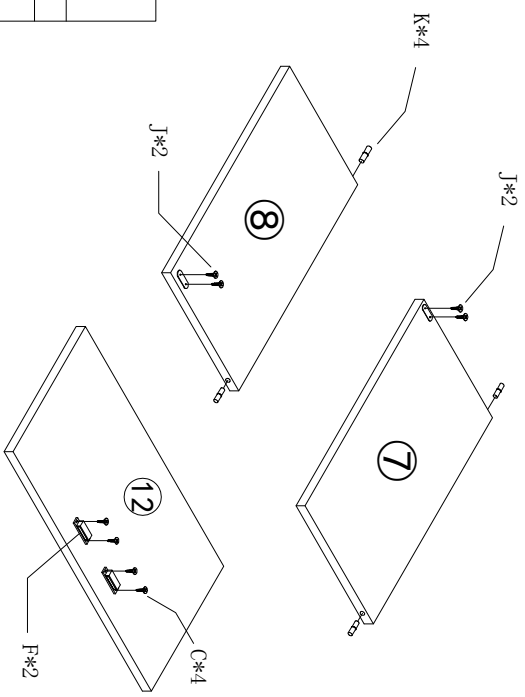


836-114



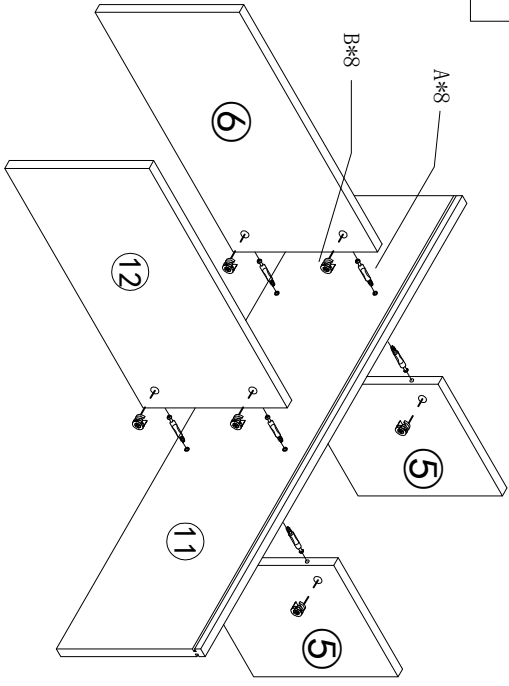
<b>A</b>		<b>B</b>	
28 x		28 x	
<b>C</b>		<b>D</b>	
3x14		2 x	
22 x			
<b>E</b>		<b>F</b>	
18mm		2 x	
2 x			
<b>G</b>		<b>H</b>	
18 x		4 x	
<b>I</b>		<b>J</b>	
3.5x14		4 x	
22 x			
<b>K</b>		<b>L</b>	
4 x		2 x	
<b>M</b>		<b>N</b>	
2 x		2 x	
<b>O</b>			
28 x			

1



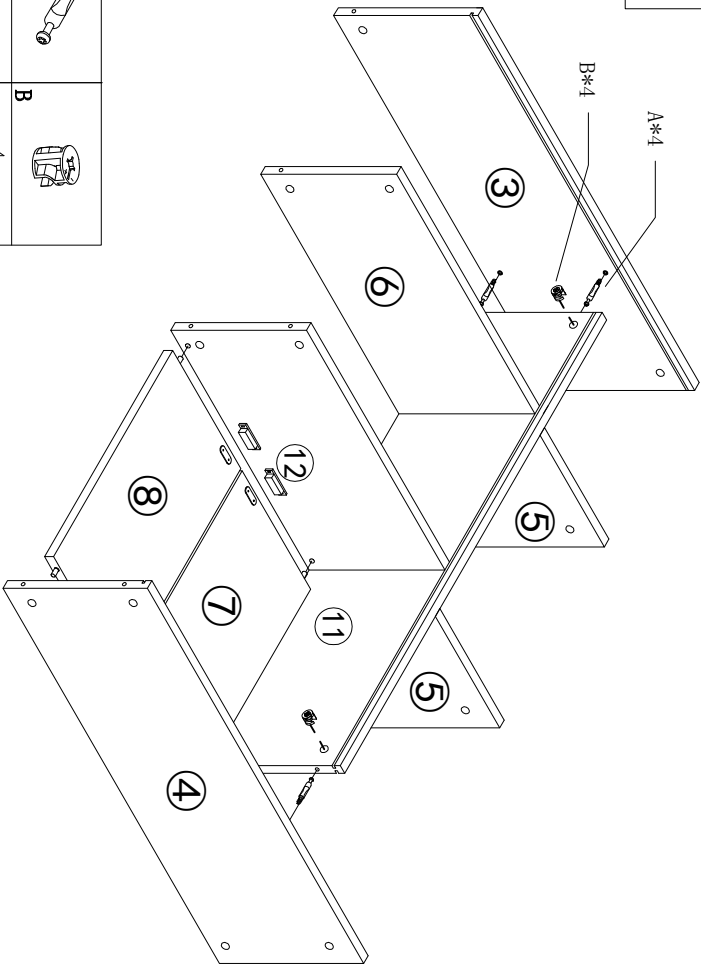
C	3x14		J*3+10	
	4x		4x	
F	2x		K	
			4x	

2



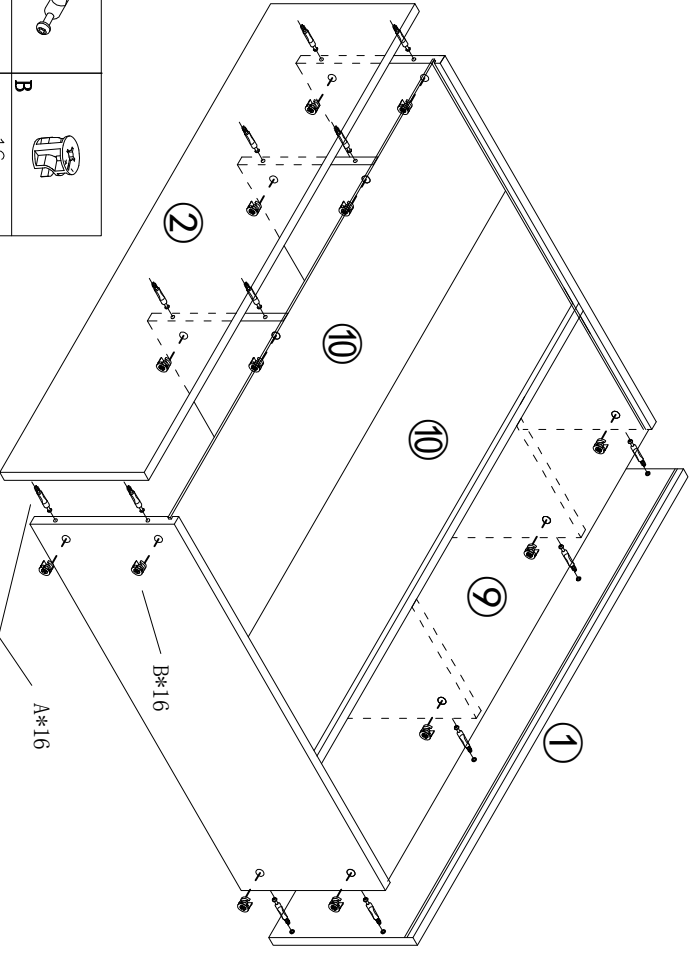
A	8x		B	
			8x	

3



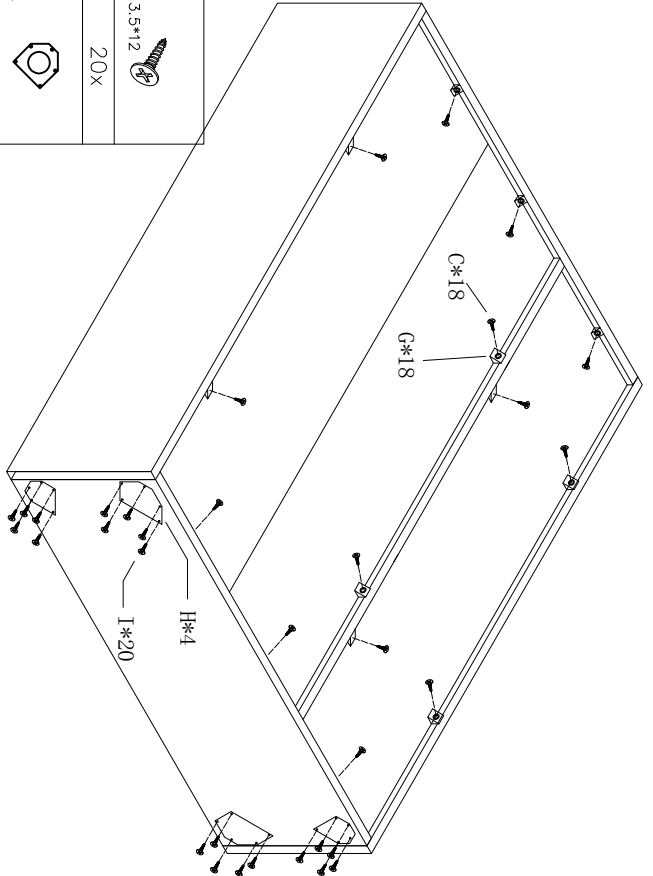
A	4x		B	
			4x	

4



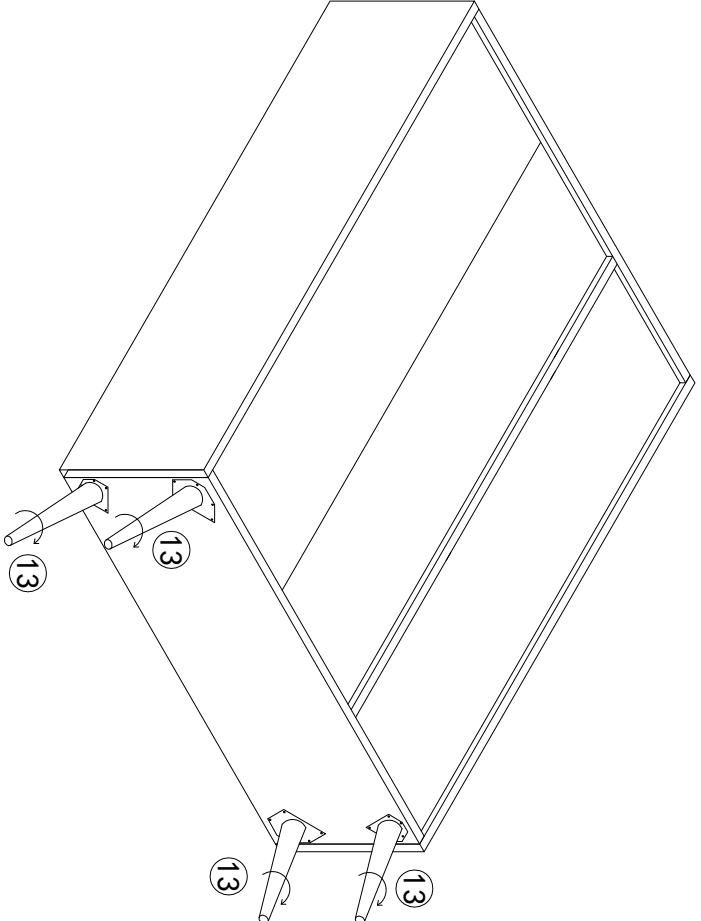
A	16x		B	
			16x	

5

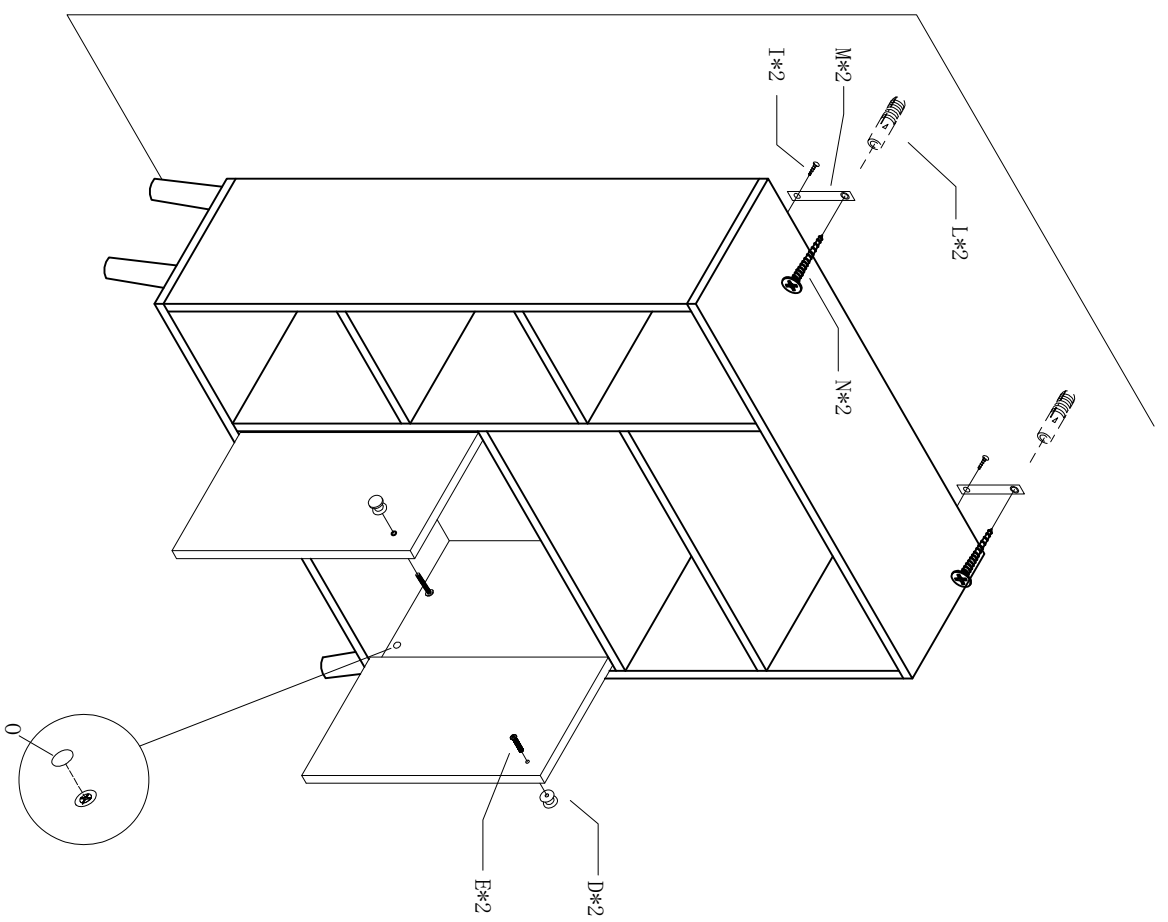


C 3x14 18x	I 3.5*12 20x
G 18x	H 4x

6



7



D 2x	E 18mm 2x	I 3.5*14 2x	L 2x
	M 2x	N 3.5x30 2x	O 28x