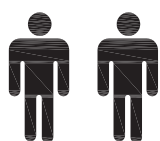
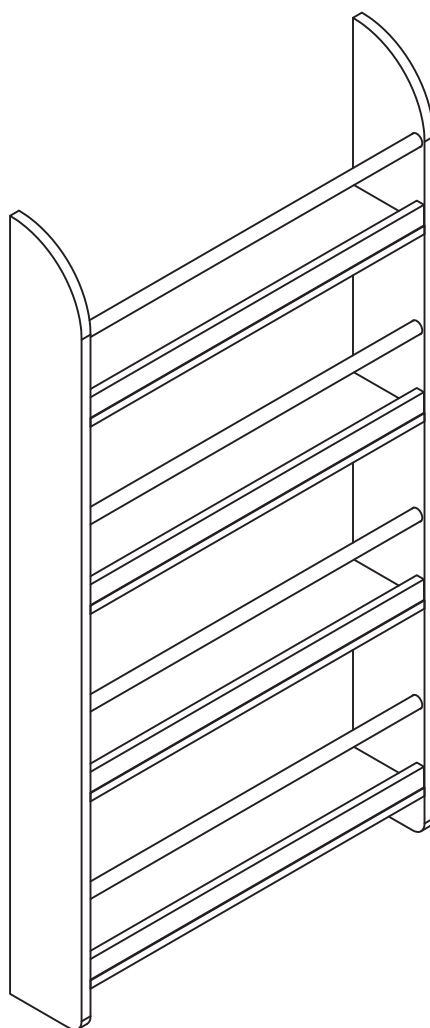
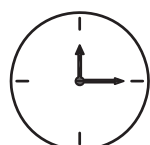


836-135

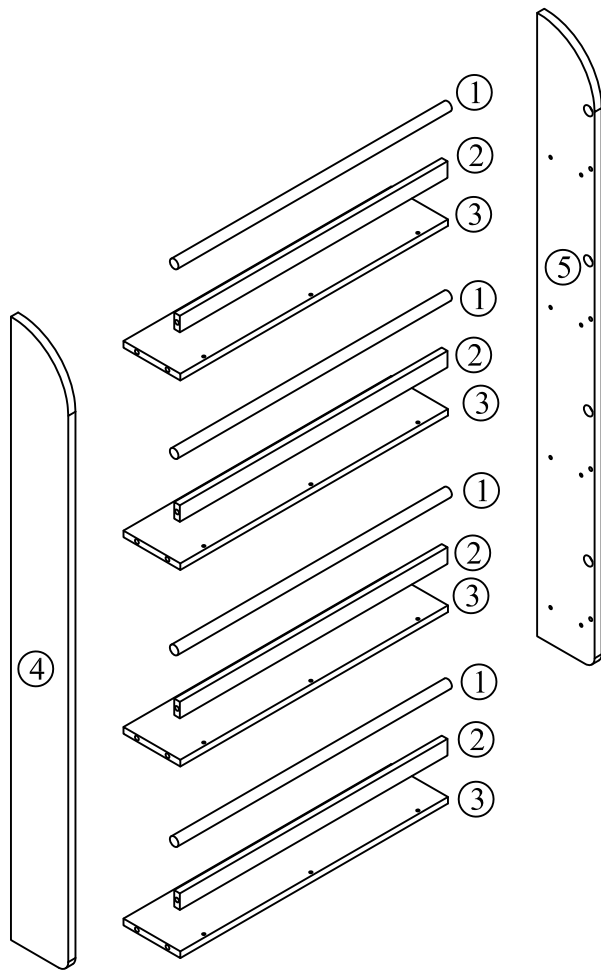
C000000

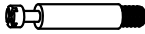



2 PERS.





60 MIN



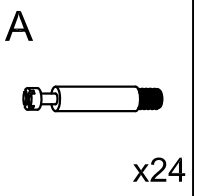
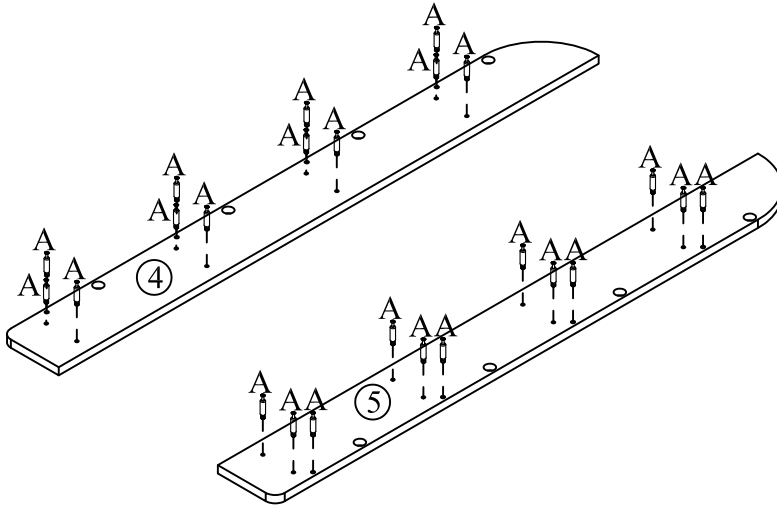
A	x 24
	
Φ6X35mm	

B	x 24
	
Φ15X9mm	

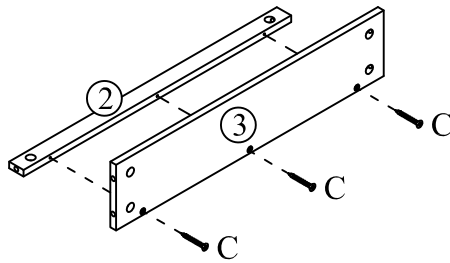
C	x 12
	
Φ4X25mm	

D	x 2
	

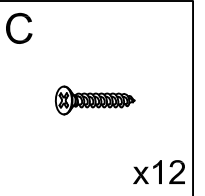
1



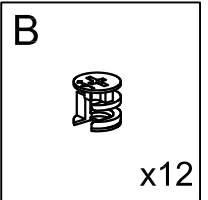
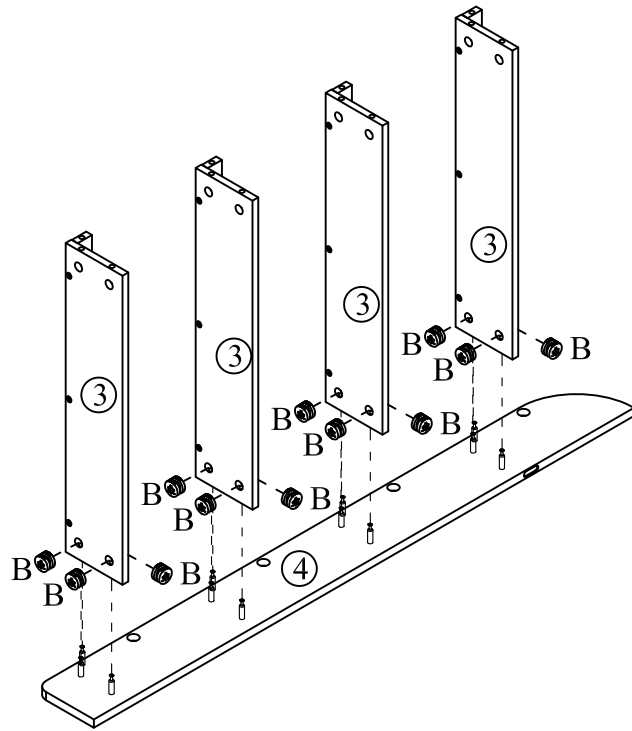
2



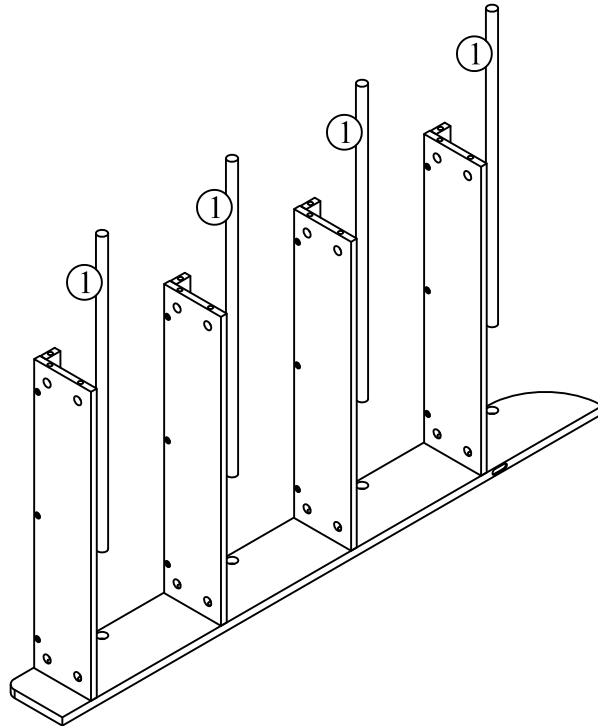
x4



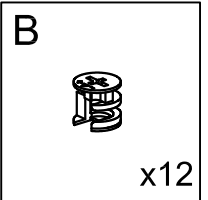
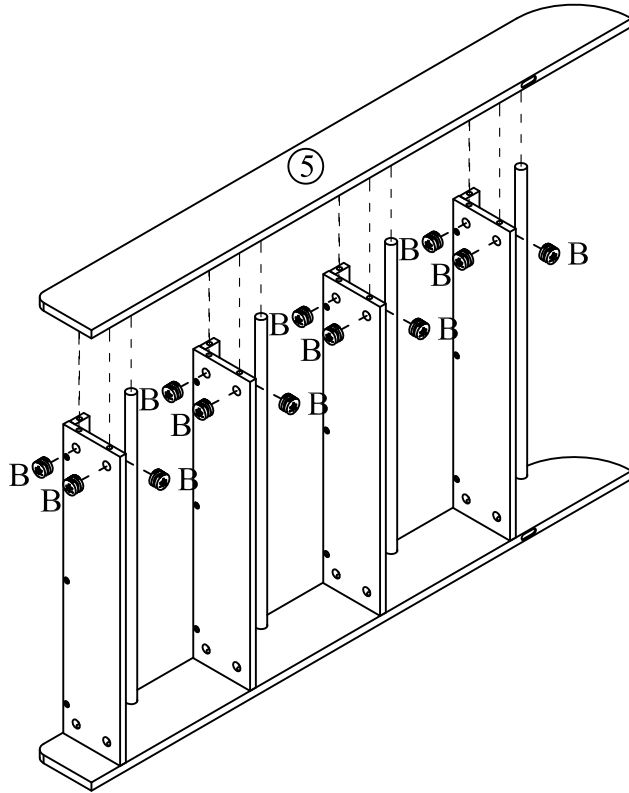
3



4



5



6

