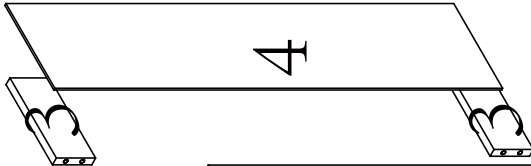
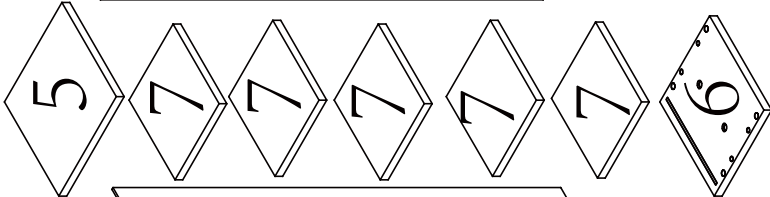
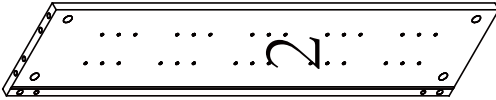
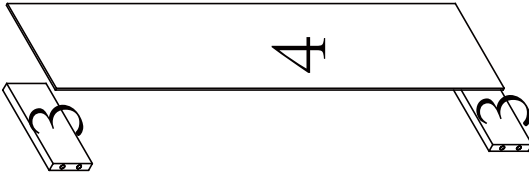
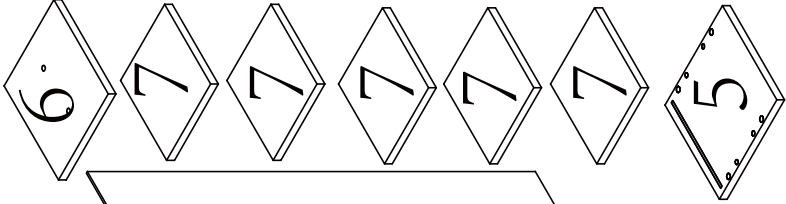
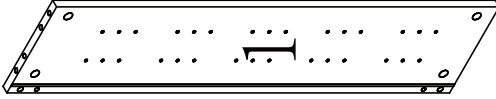
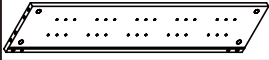
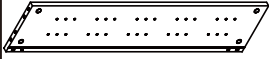
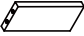












READ AND SAVE THIS INSTRUCTION FOR FUTURE USE

ASSEMBLY INSTRUCTION

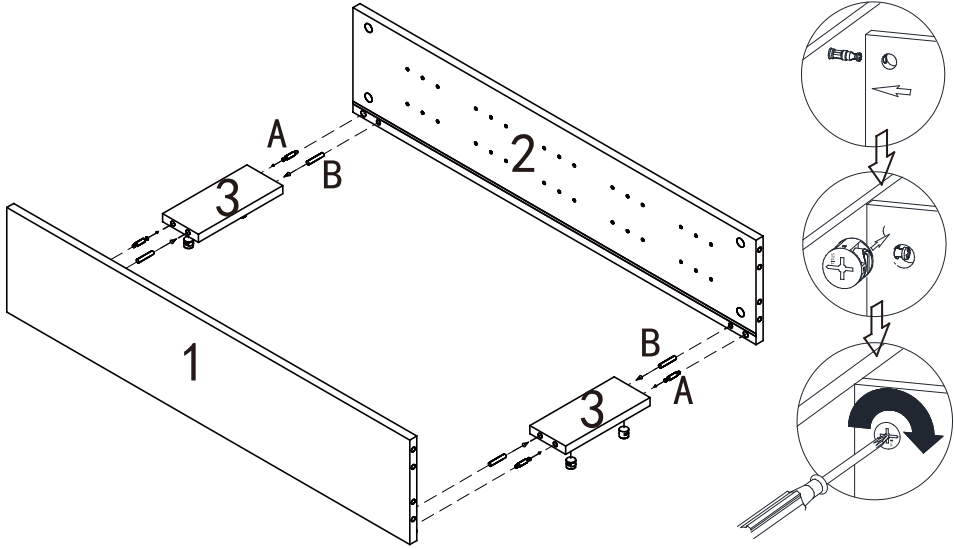


PACKING DETAILS:TOTAL 1 BOXES

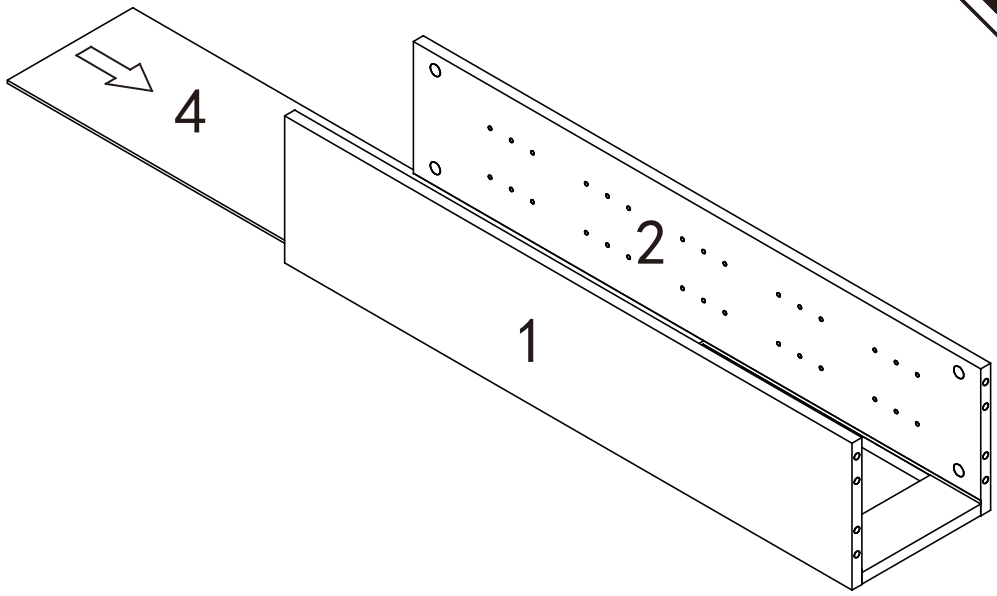
PARTNO.	PARTS	QTY
1		x2
2		x2
3		x4
4		x2
5		x2
6		x2
7		x10

PART NO.	PARTS	QTY
A		x24
B		x24
C		x40
D		x2
E		x2
F		x28

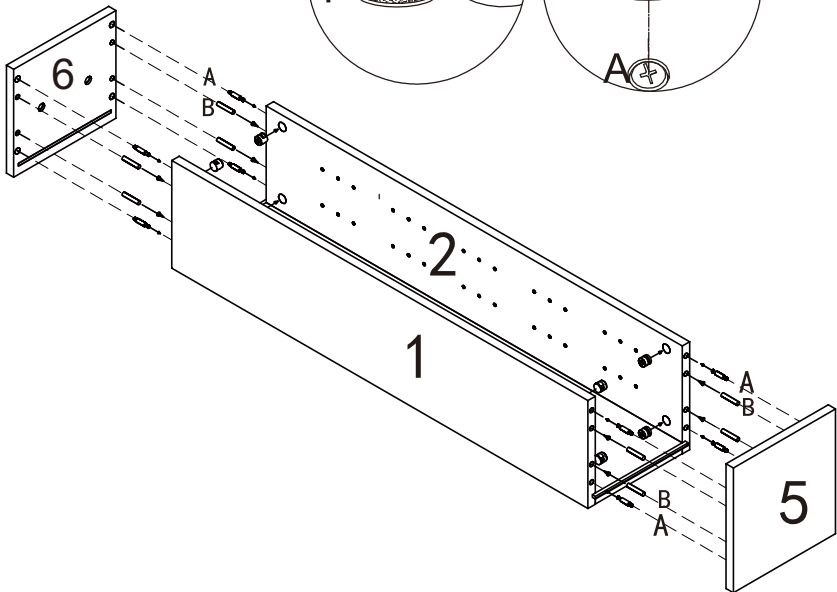
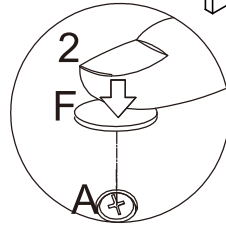
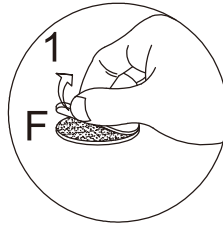
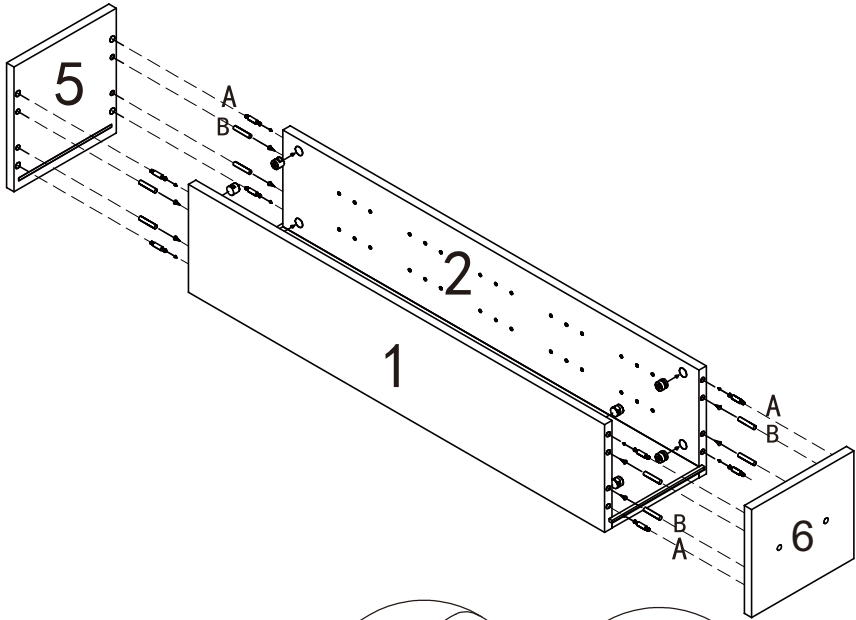
Ax4
Bx4



x2

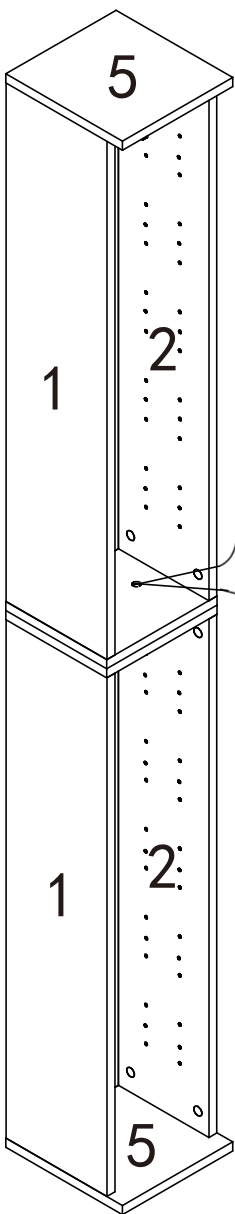


Ax16
Bx16



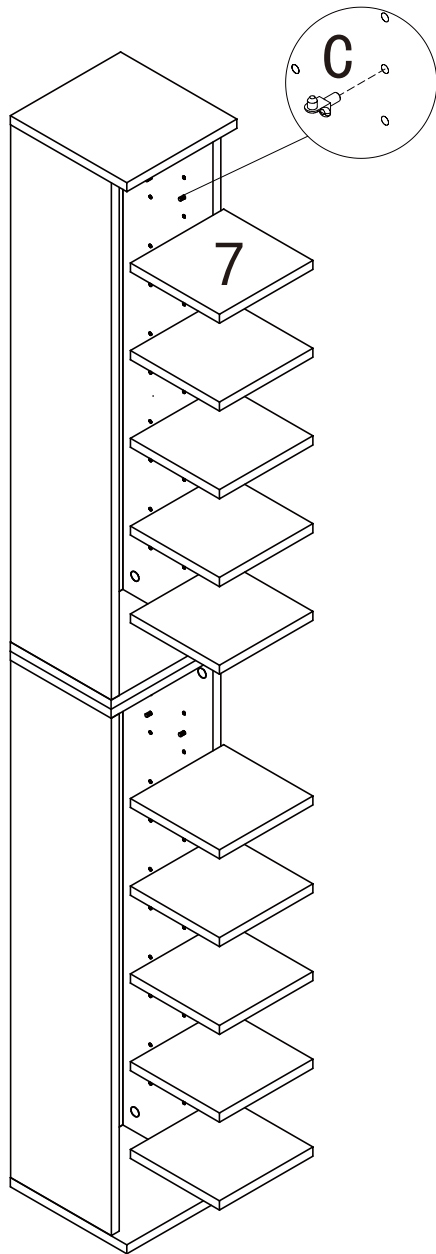
Dx2
Fx28

04



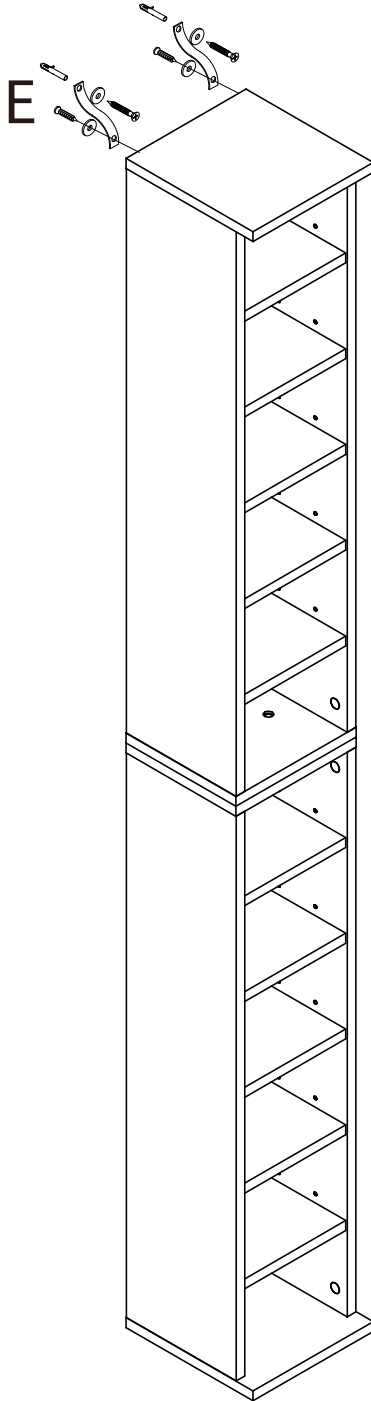
Cx40

05



Ex2

06



Done

US



001-877-644-9366
customerservice@aosom.com

CA



001-855-537-6088
customerservice@aosom.ca

UK



0044-800-240-4004
enquiries@mhstar.co.uk

DE



0049-(0)40-88307530
service@aosom.de

FR



0033-1-84166106
contact@aosom.fr

ES



0034-931294512
atencioncliente@aosom.es

IT



0039-0249471447
clienti@aosom.it