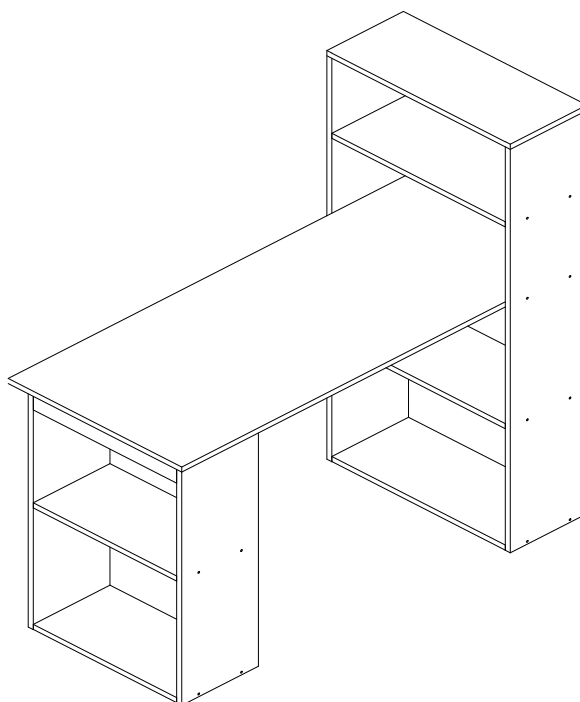




Assembly Instructions



836-069BK

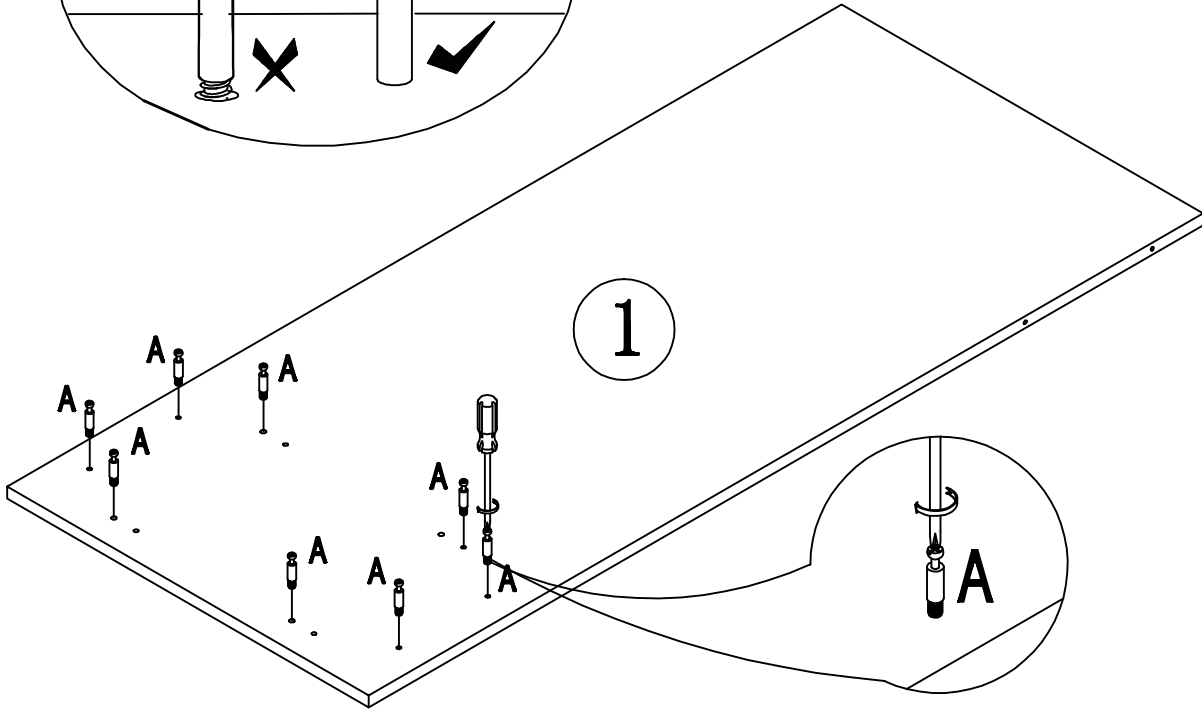
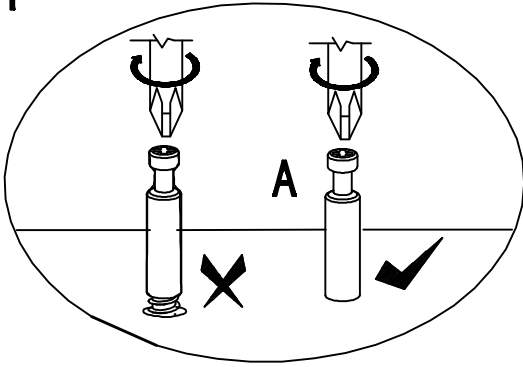
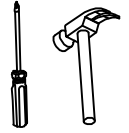
Special Warnings:

- * Please check that all parts are present before you start the assembly.
- * For the protection of your furniture, place all parts on a clean and smooth surface to prevent any damage.
- * For cleaning, wipe the surface with a damp (not wet) cloth or wipe dry with a clean lint free cotton cloth. Window cleaning liquid or a similar cleaning liquid can be used to clean the surface.
- * This unit is heavy. Please use an assistant when lifting. Never drag or push the pieces across the floor as this will cause damage to the joints.
- * Keep your furniture out of direct sunlight.

STEP 1

HARDWARE LIST

A  M6 8PCS

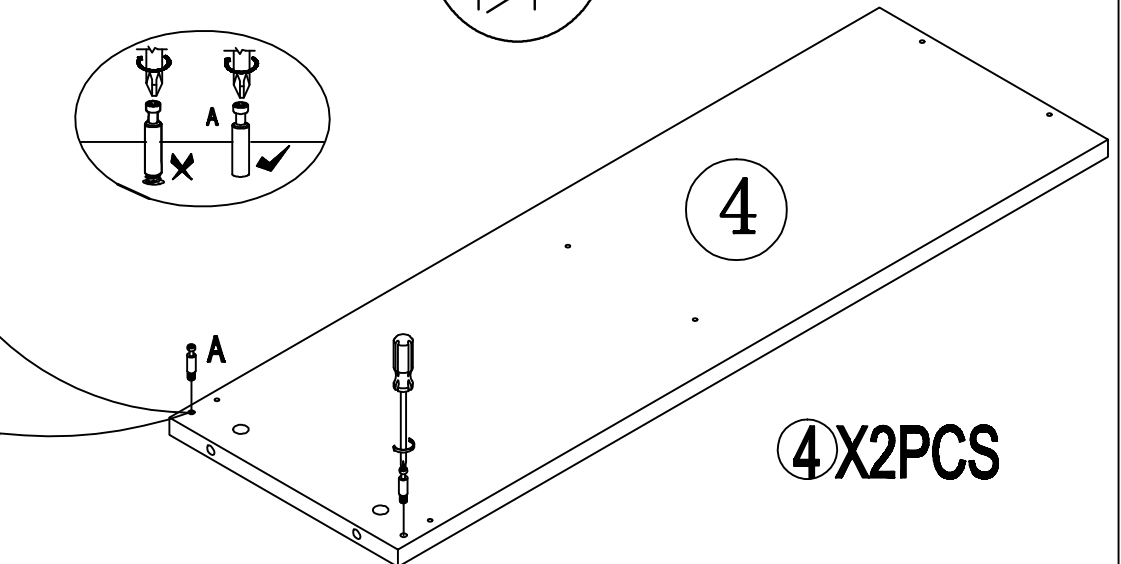
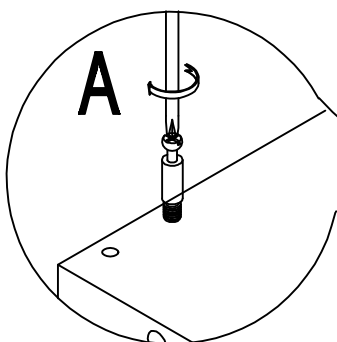
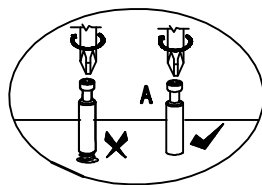
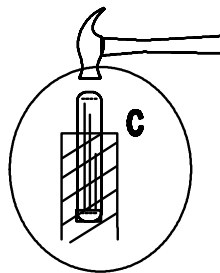
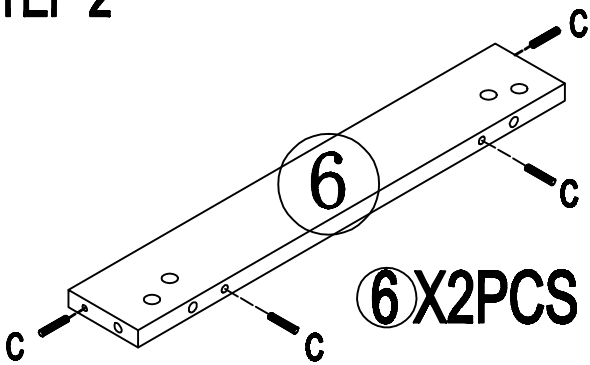


STEP 2

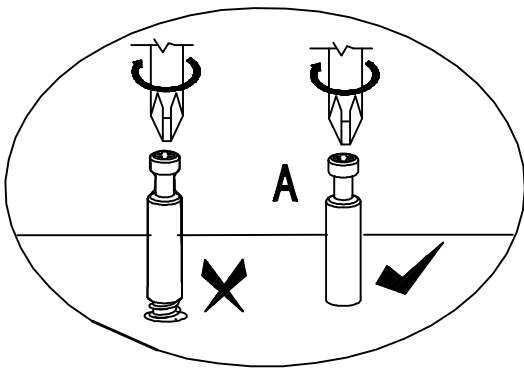
HARDWARE LIST

A  M6 4PCS

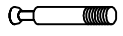
C  M6 8PCS

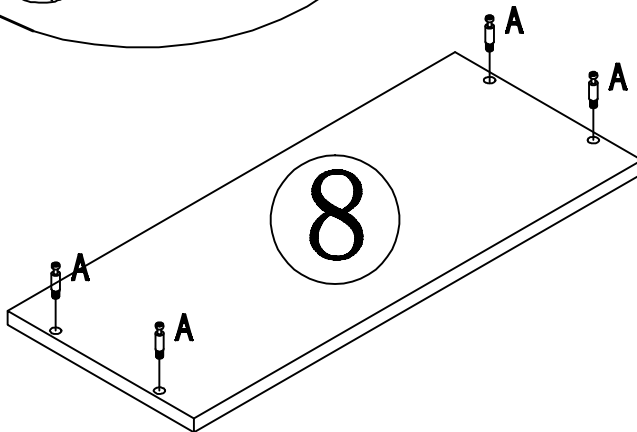
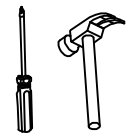


STEP 3

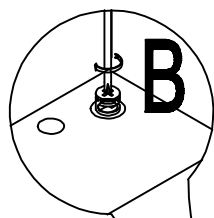
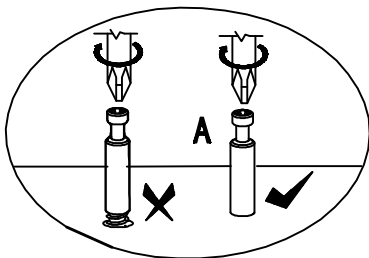


HARDWARE LIST


A  M6 4PCS



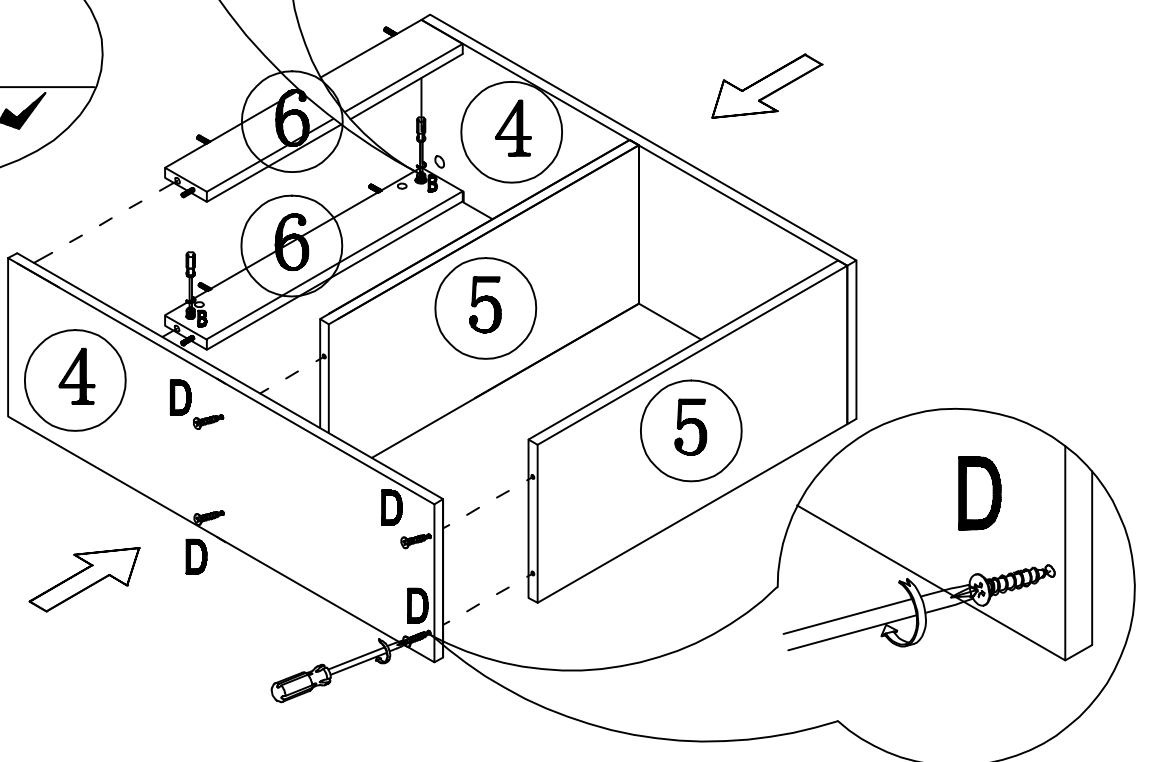
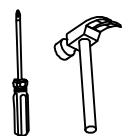
STEP 4



HARDWARE LIST

B  M15 4PCS

D  M4.7 8PCS

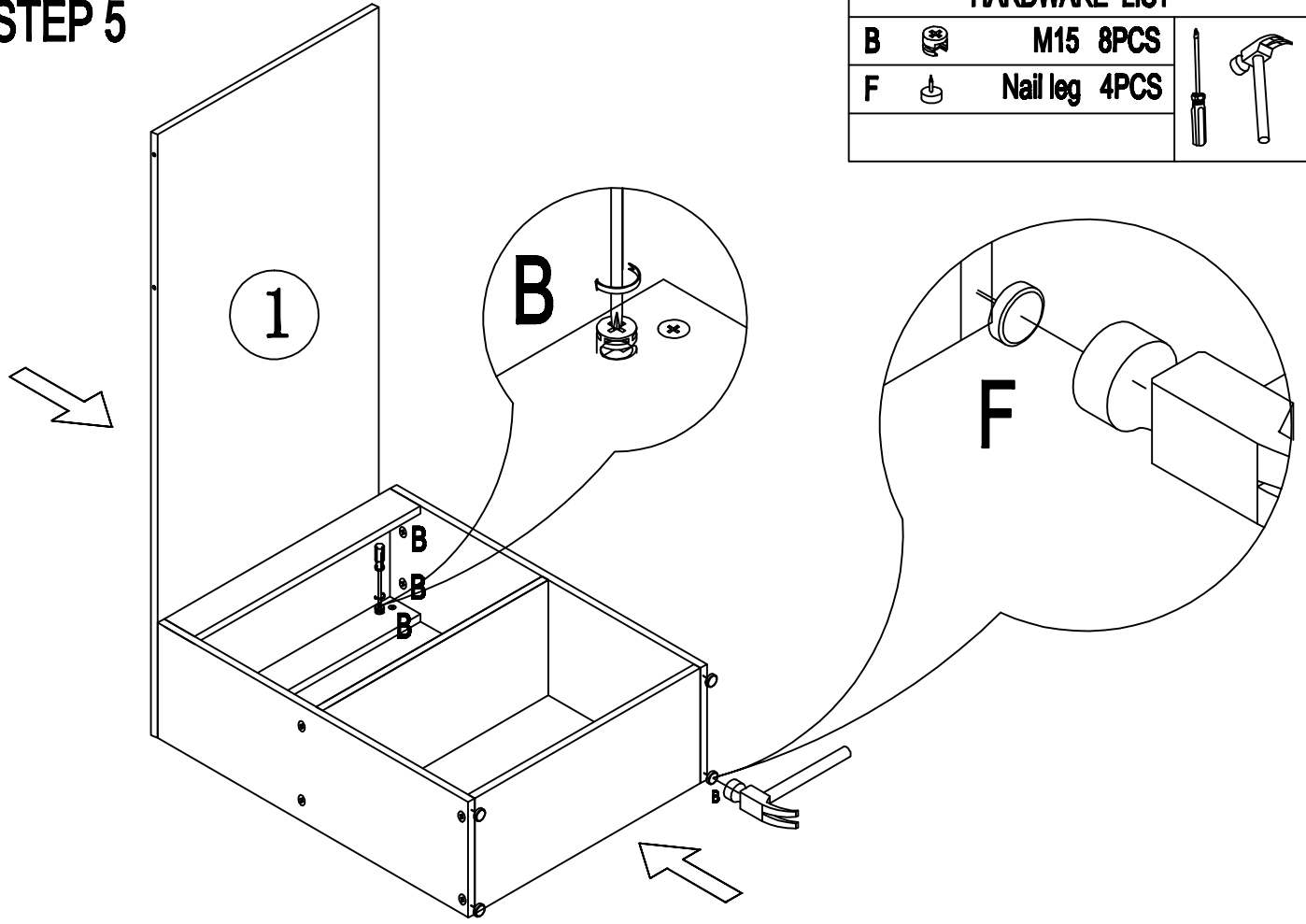


STEP 5

HARDWARE LIST

B  M15 8PCS

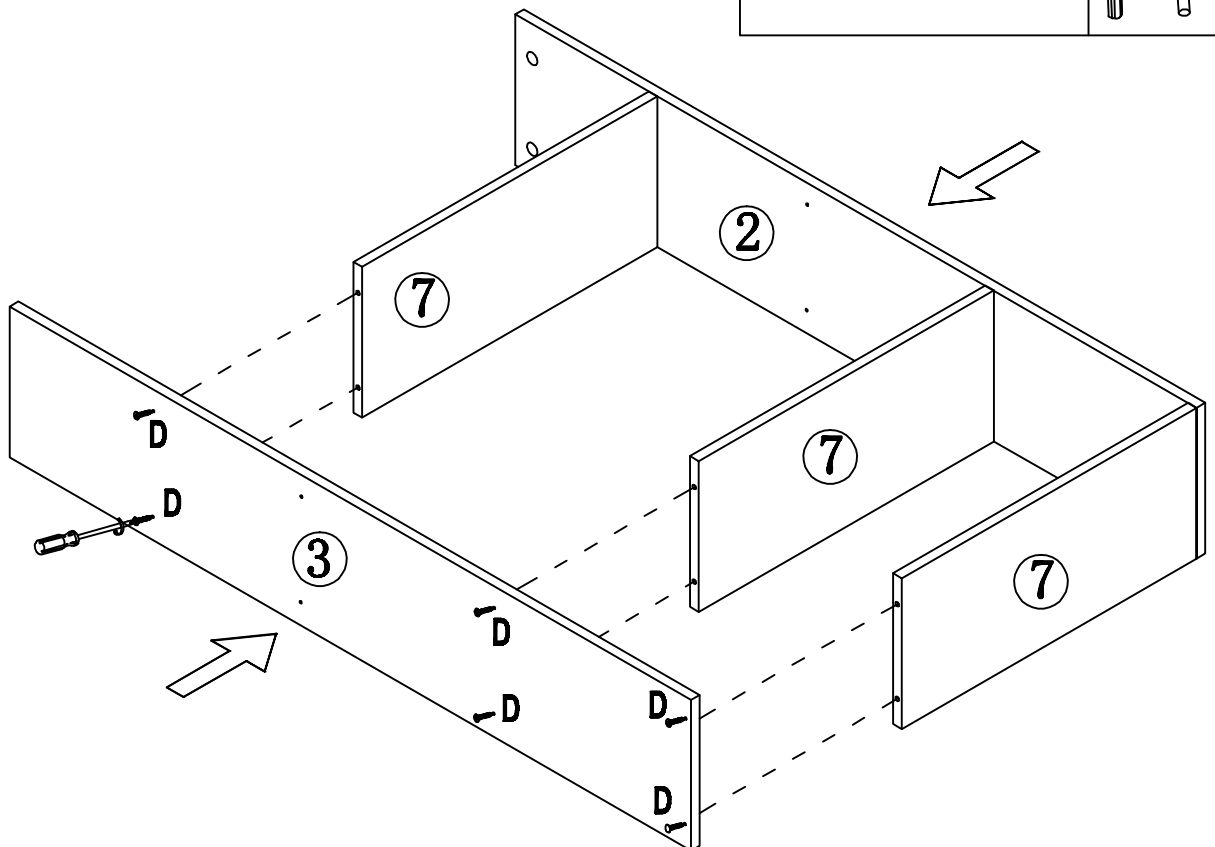
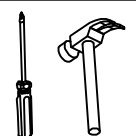
F  Nail leg 4PCS



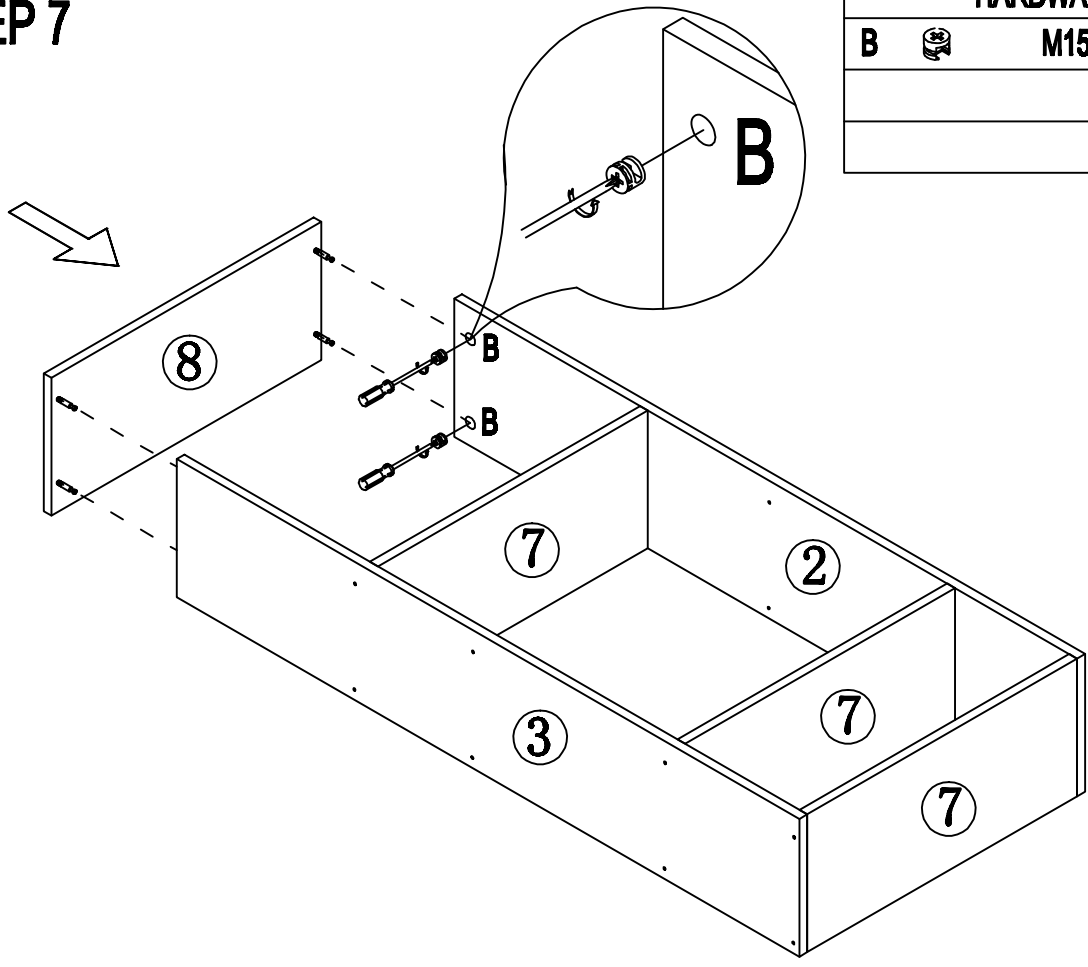
STEP 6

HARDWARE LIST

D  M4.7 12PCS

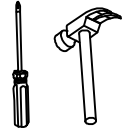


STEP 7

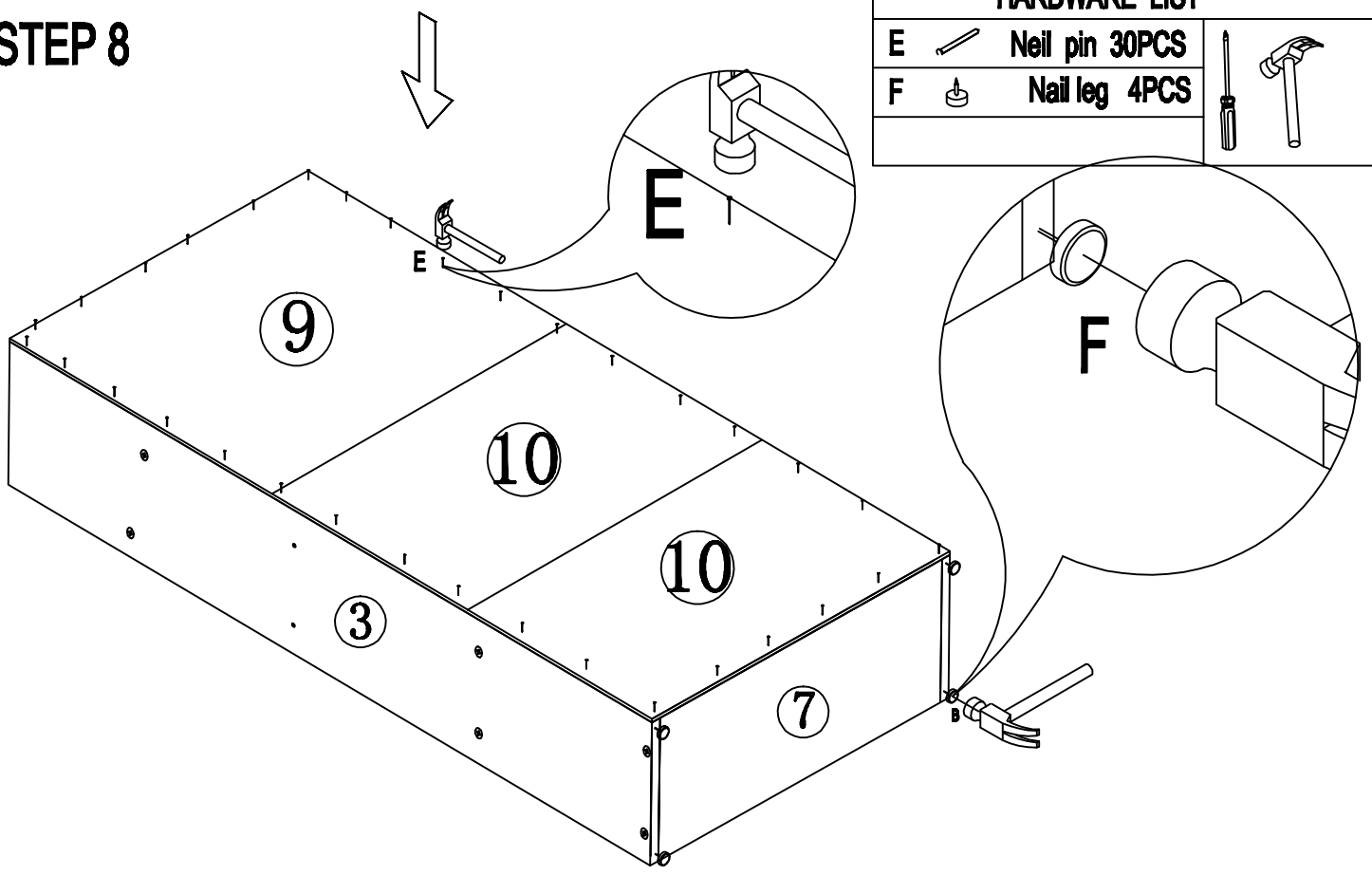


HARDWARE LIST

B  M15 4PCS



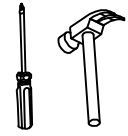
STEP 8



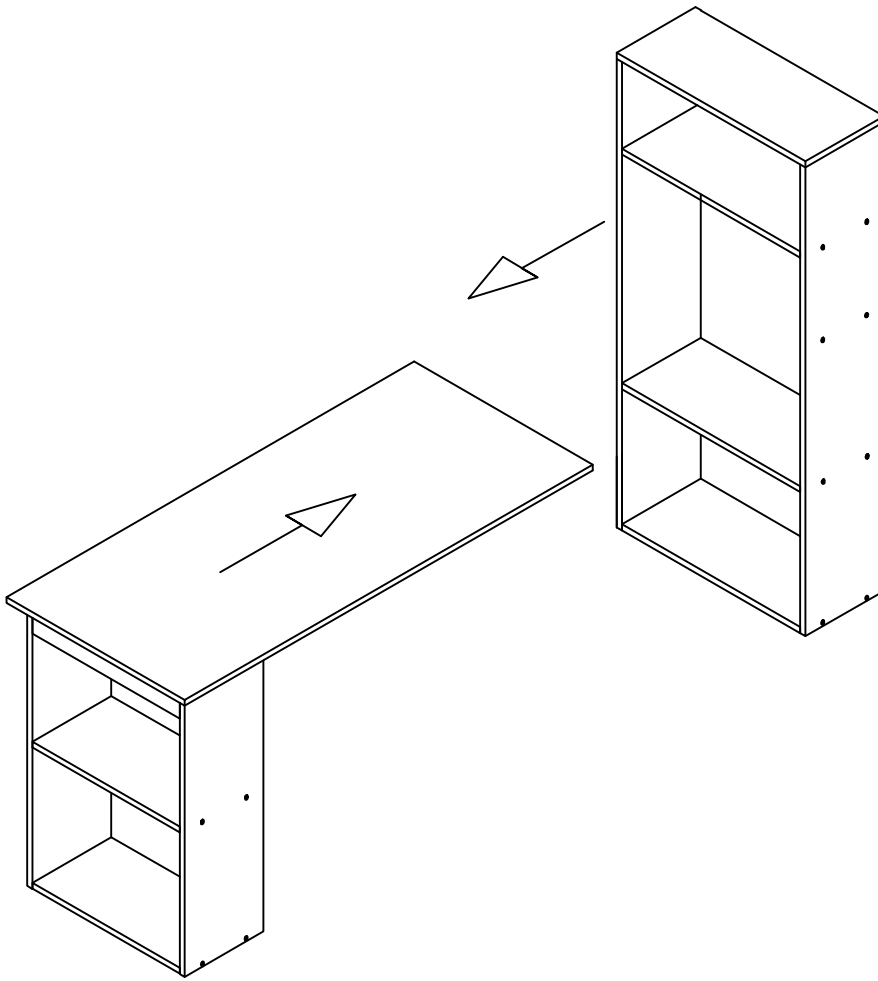
HARDWARE LIST

E  Neil pin 30PCS

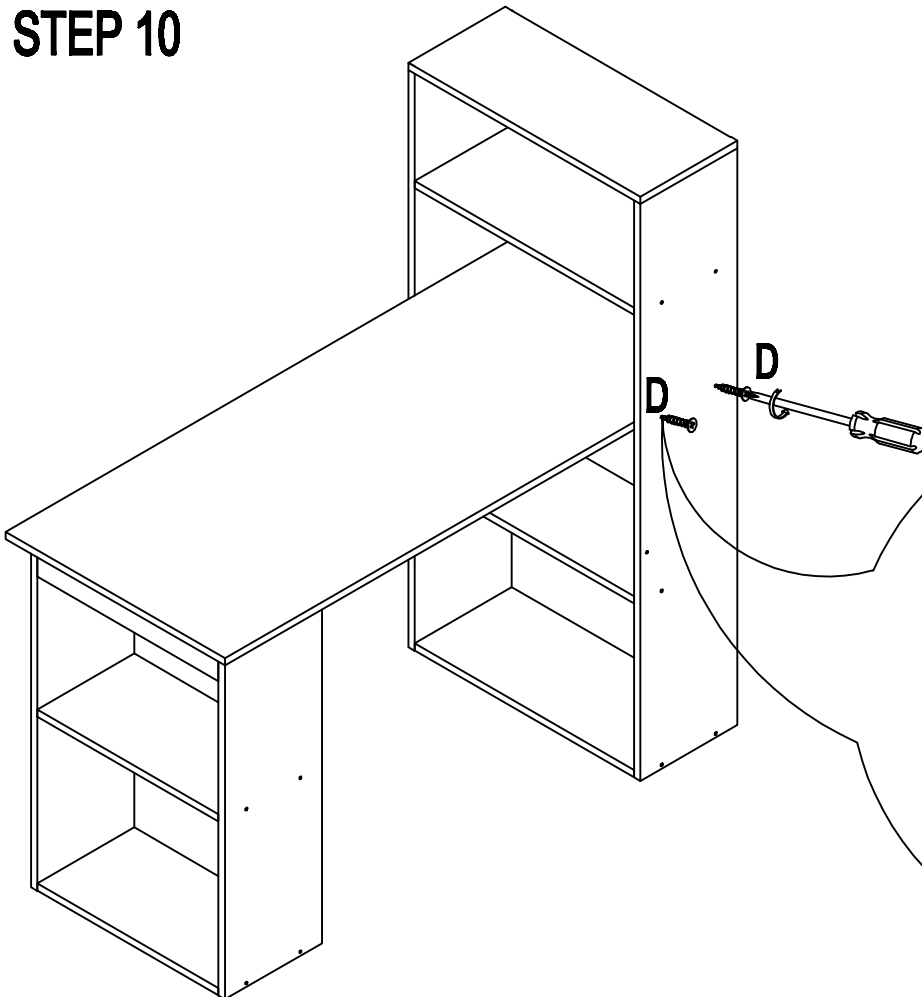
F  Nail leg 4PCS






STEP 9

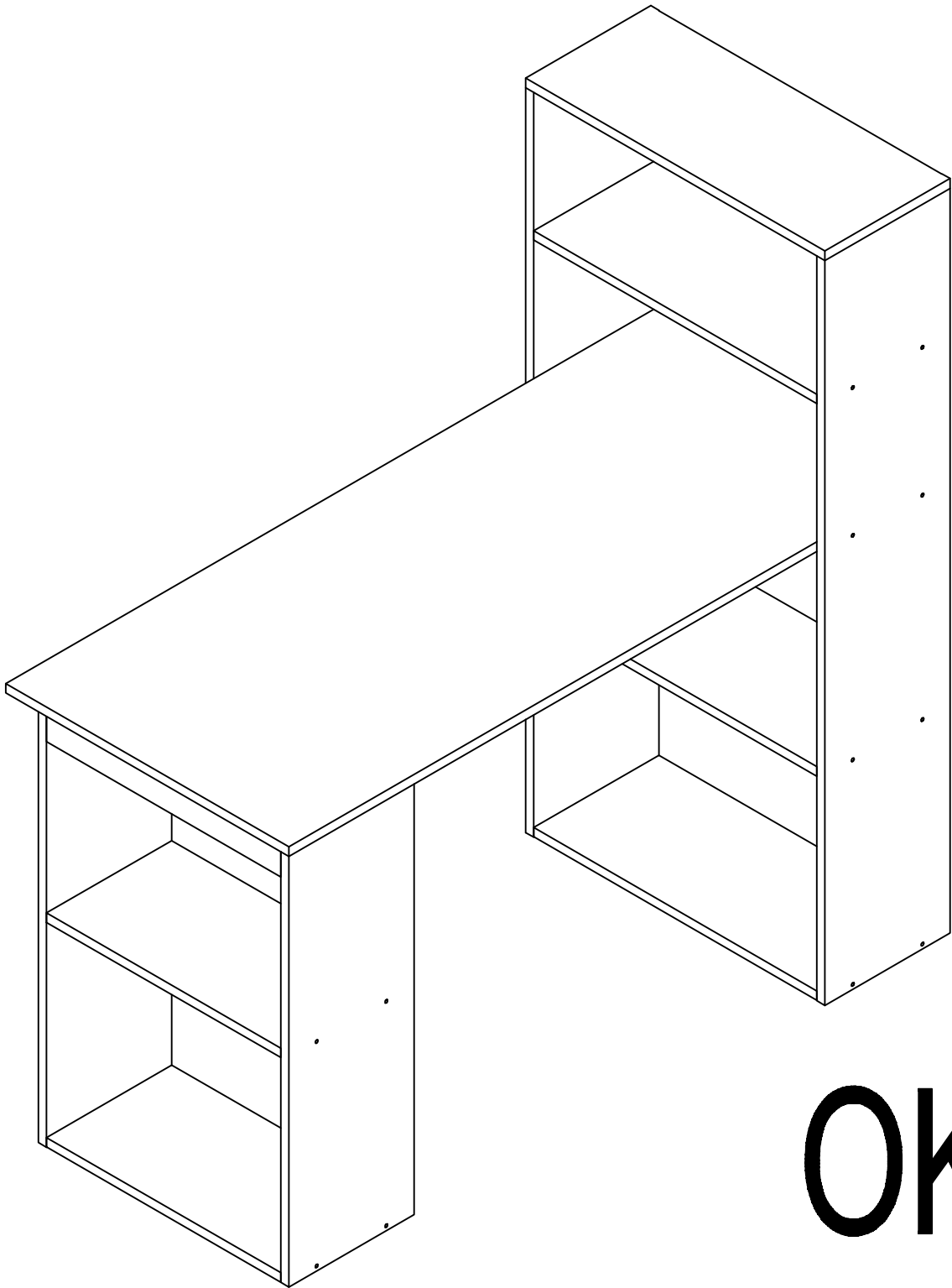


STEP 10



HARDWARE LIST

D		M4.7 4PCS		



OK