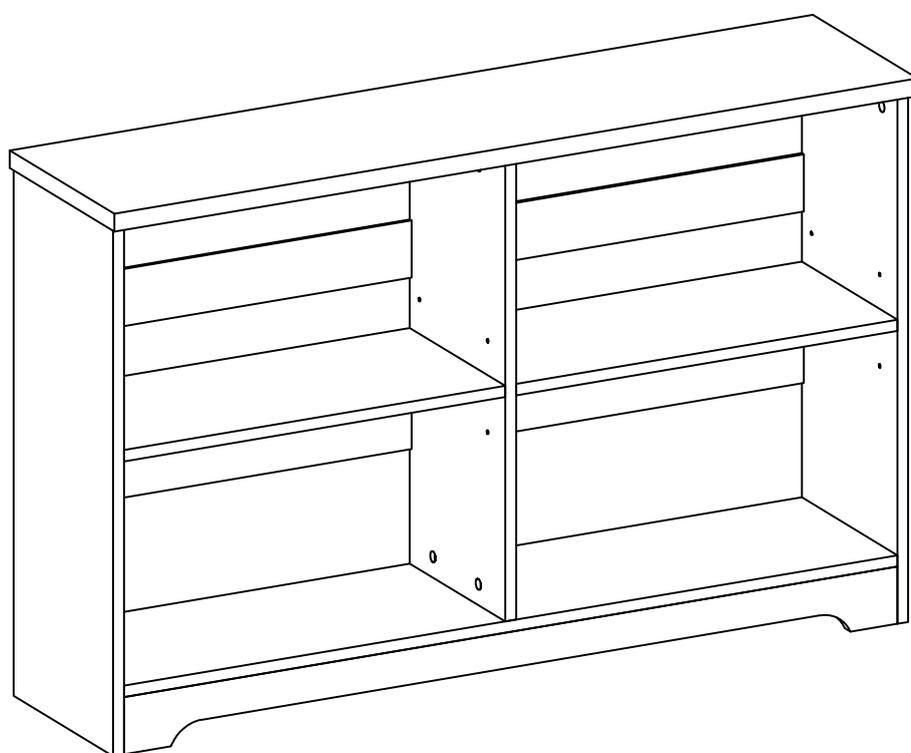




INcqd011\_GL

836-251

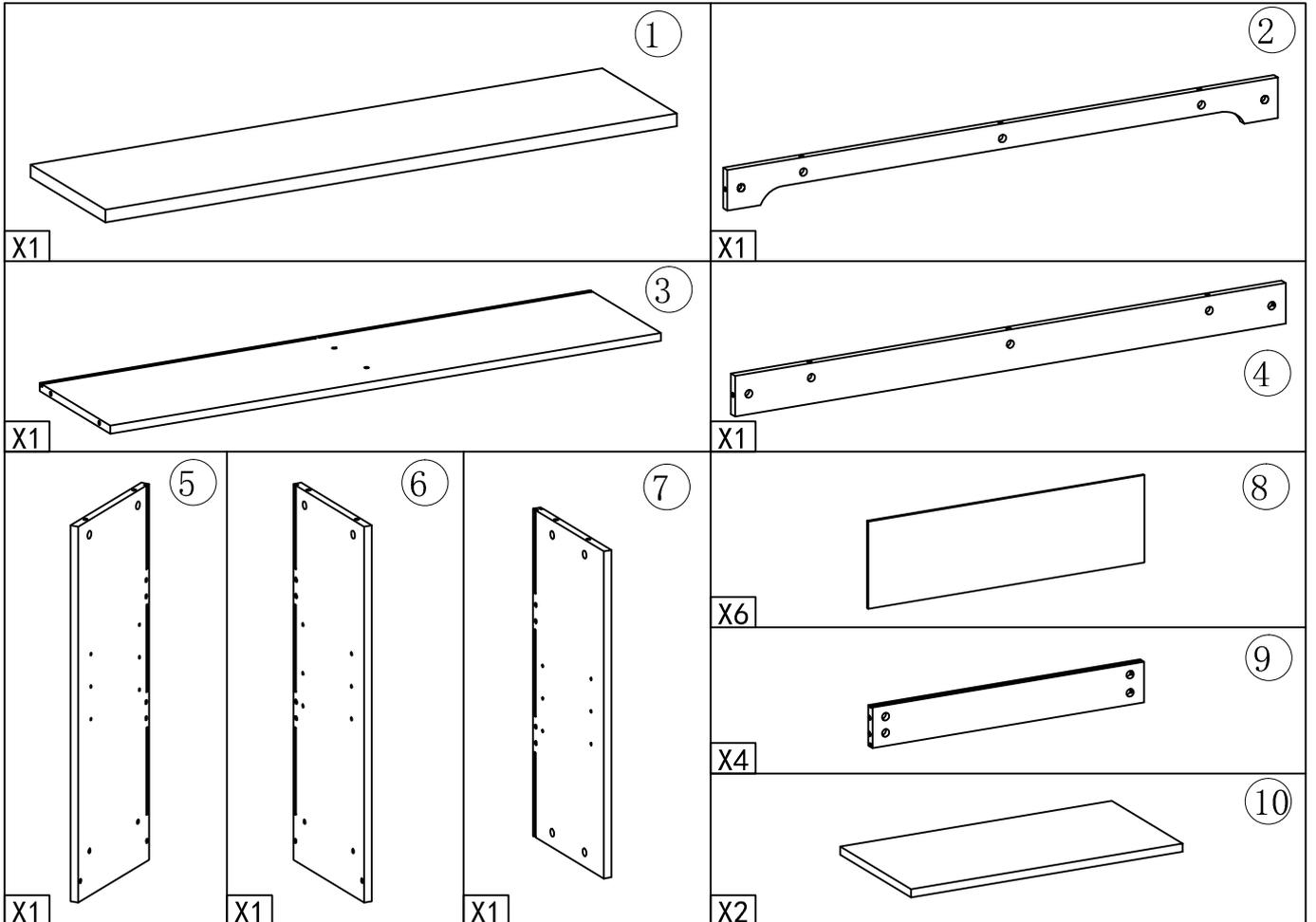
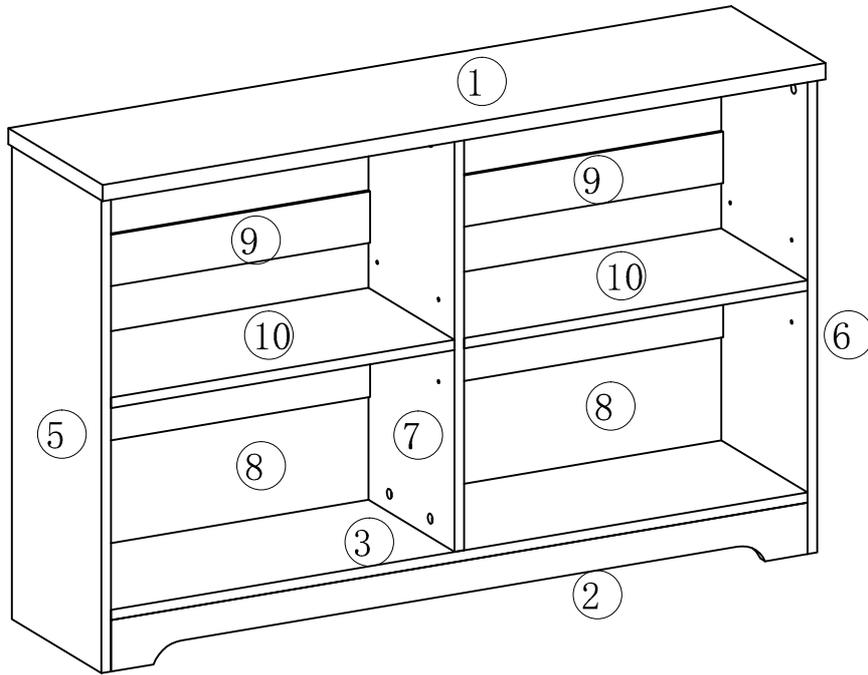


READ AND SAVE THESE INSTRUCTIONS FOR FUTURE USE

**OPERATING INSTRUCTIONS**

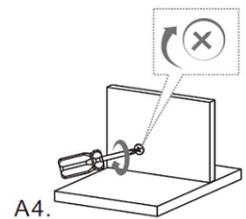
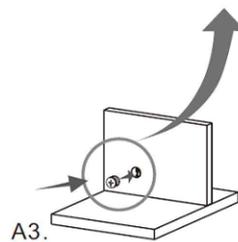
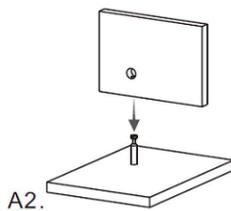
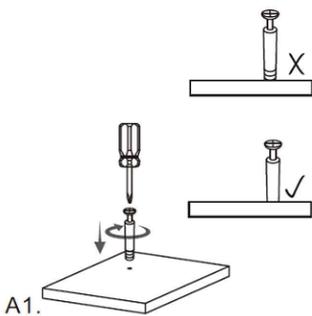
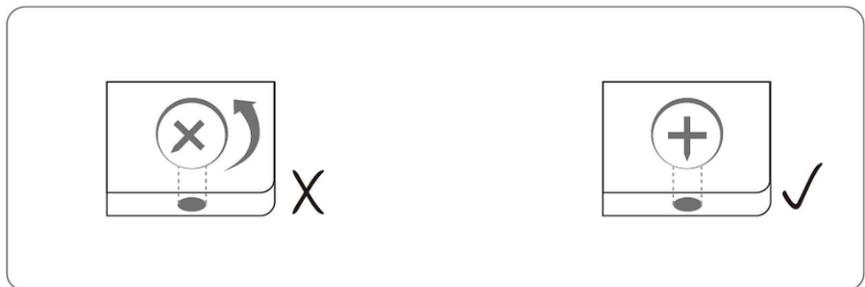
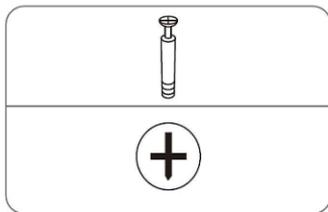
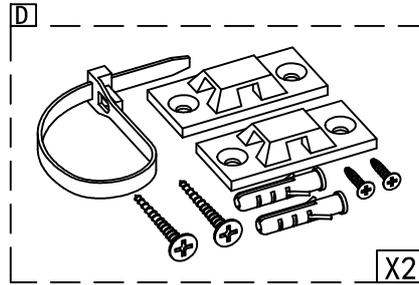


■ Part List





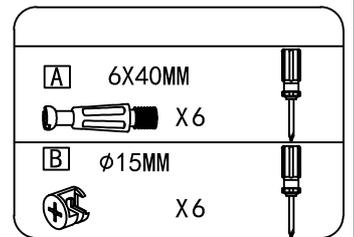
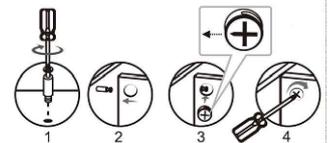
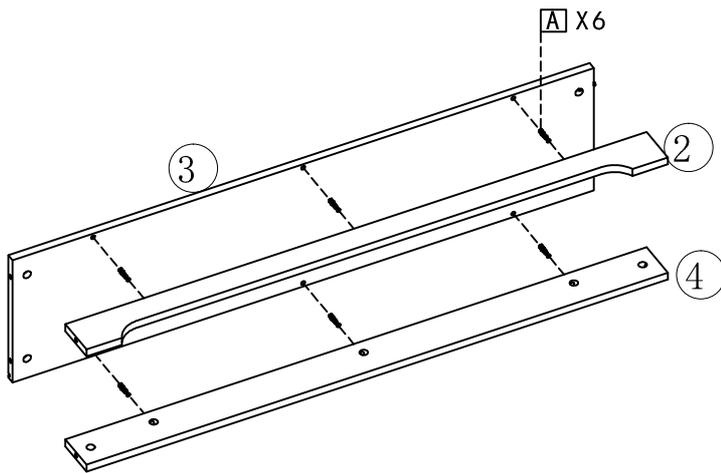
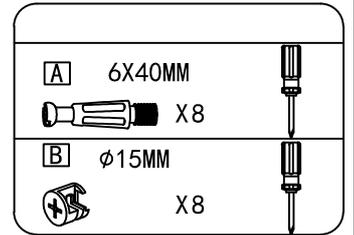
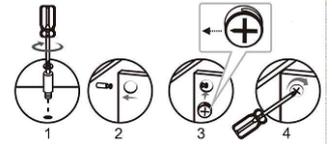
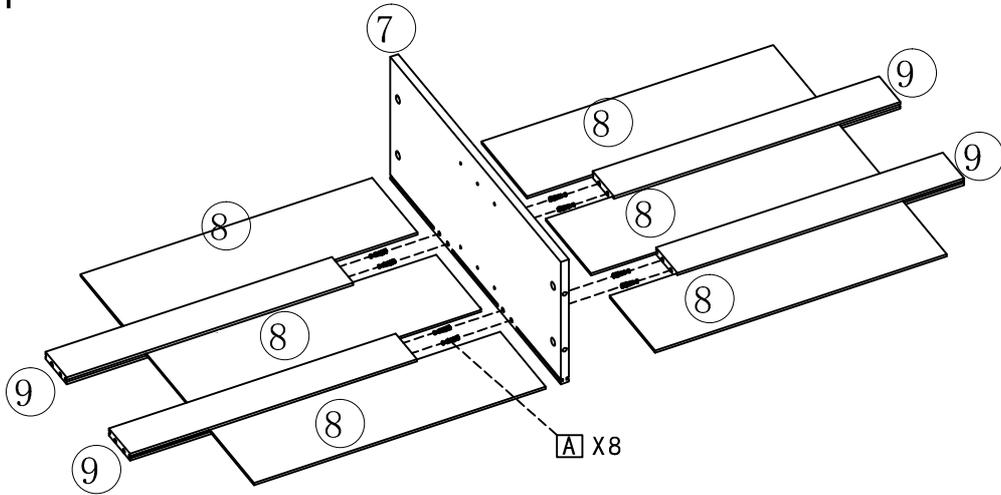
PART	QTY.	ITEM	
A	38	6X40MM	
B	38	Ø15MM	
C	8		



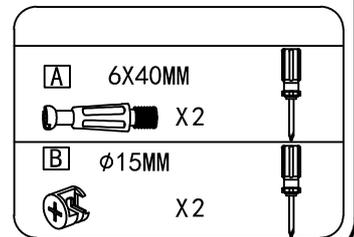
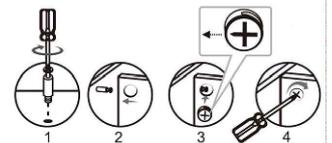
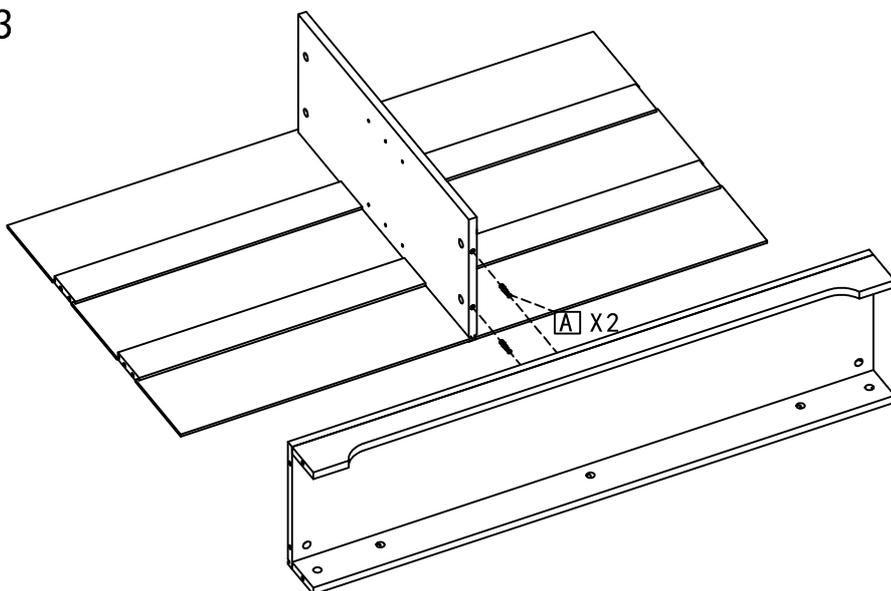


■ Assembly Instructions

1



3





■ Assembly Instructions

4

6

5

A X16

A	6X40MM	
	X16	
B	Ø15MM	
	X16	

5

1

A X6

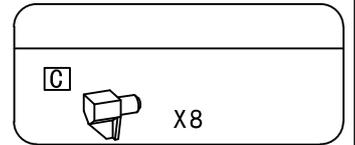
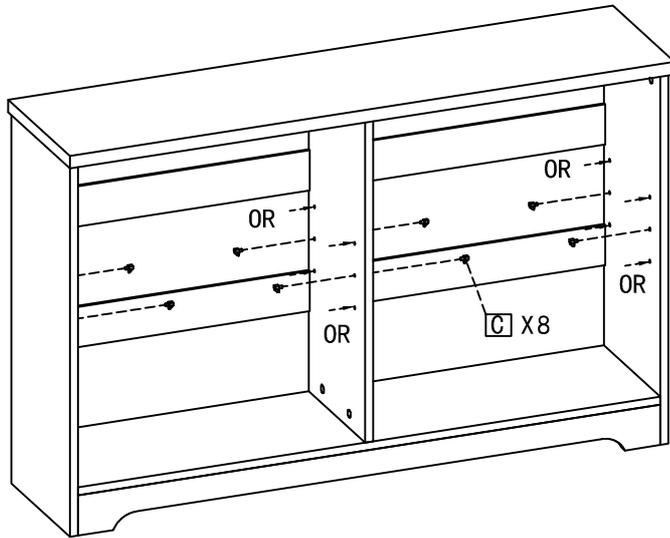
A	6X40MM	
	X6	
B	Ø15MM	
	X6	

6

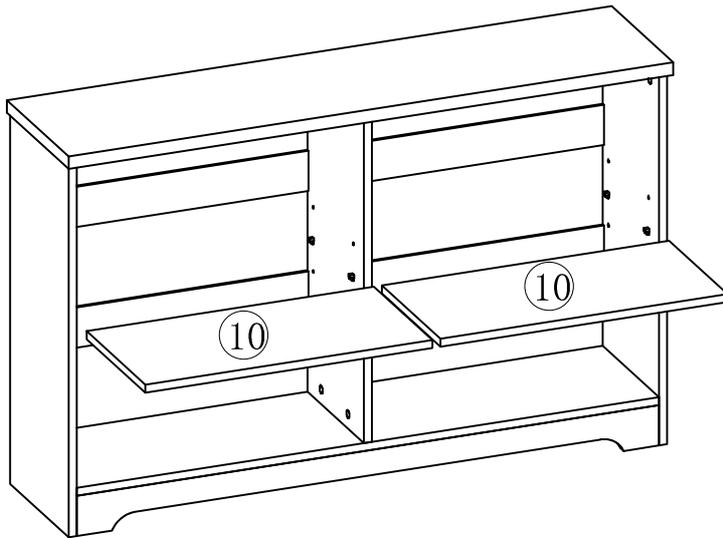


■ Assembly Instructions

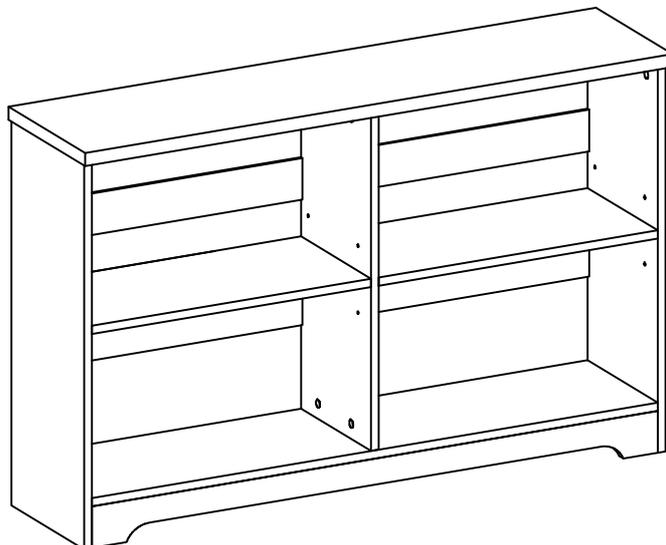
7



8



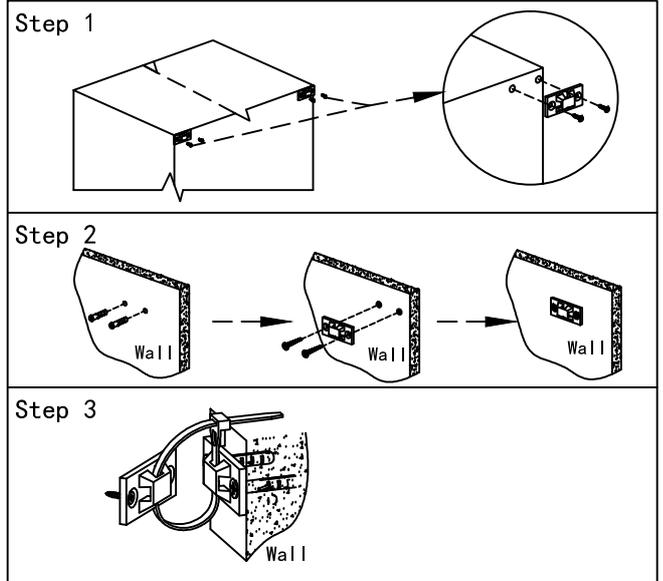
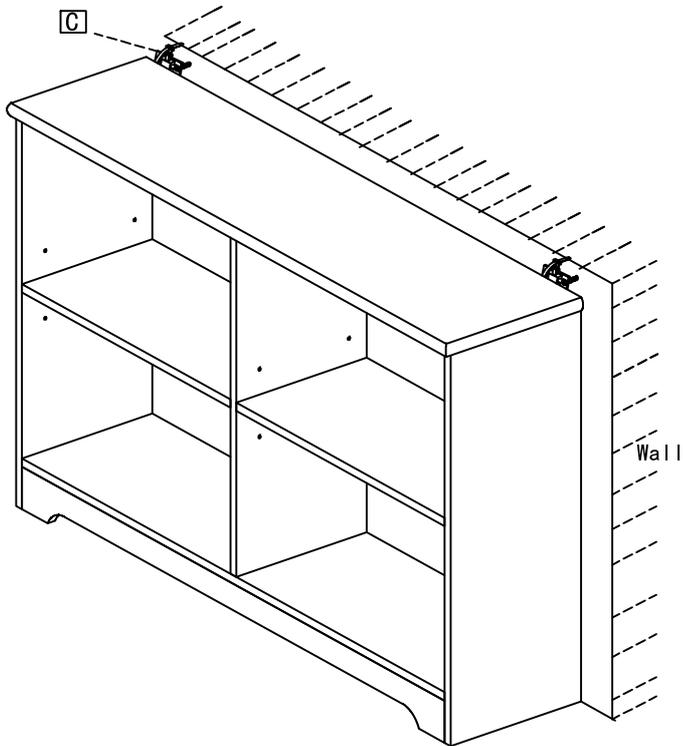
9





■ Assembly Instructions

10



US



001-877-644-9366  
customerservice@aosom.com

CA



001-855-537-6088  
customerservice@aosom.ca

UK



0044-800-240-4004  
enquiries@mhstar.co.uk

DE



0049-(0)40-88307530  
service@aosom.de

FR



0033-1-84166106  
contact@aosom.fr

ES



0034-931294512  
atencioncliente@aosom.es

IT



0039-0249471447  
clienti@aosom.it