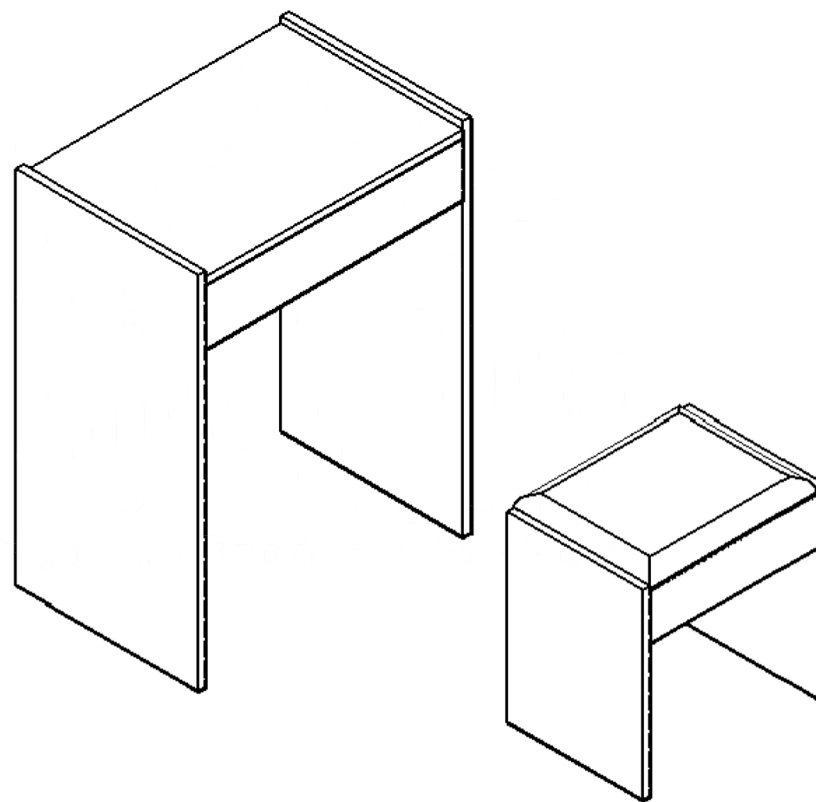
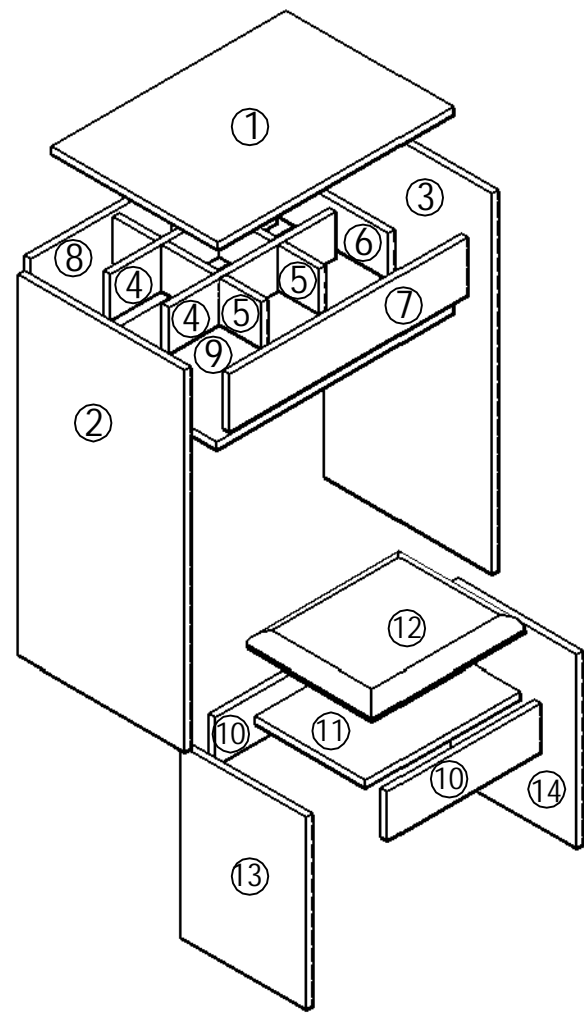
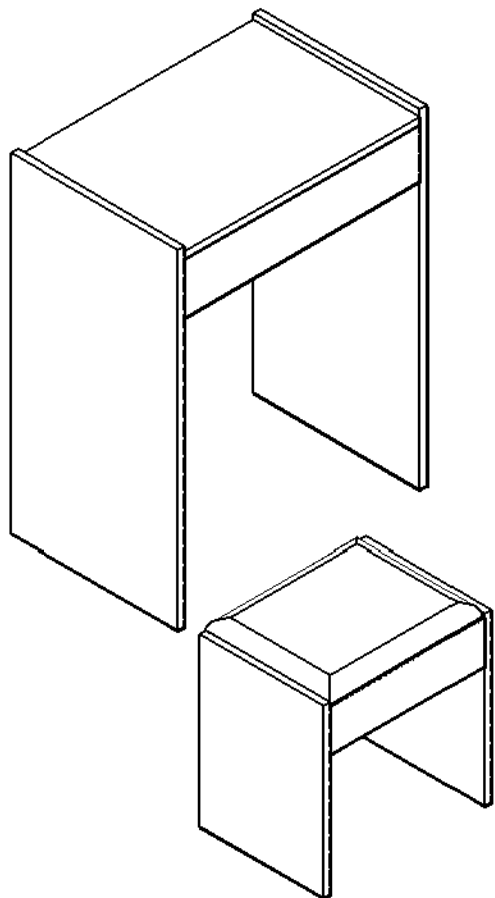
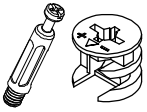
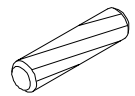
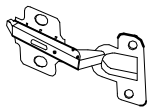
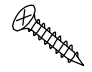
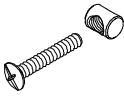
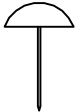



831-191/831-192

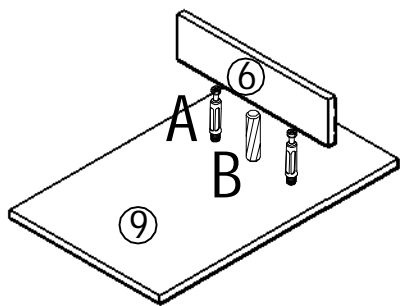


ASSEMBLY INSTRUCTION



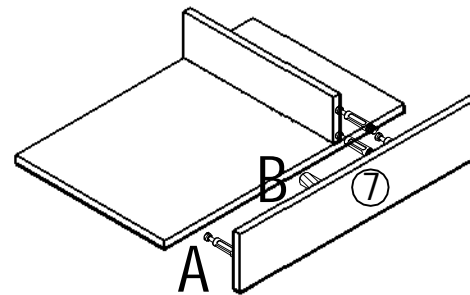
<p>A 22pcs +2</p> 	<p>B 19pcs +2</p> 	<p>C 2pcs</p> 	<p>D 12pcs +2</p> 	<p>E 6pcs</p> 	<p>F 8pcs +2</p> 	<p>G 1pc</p> 
--	--	--	--	--	---	---

1



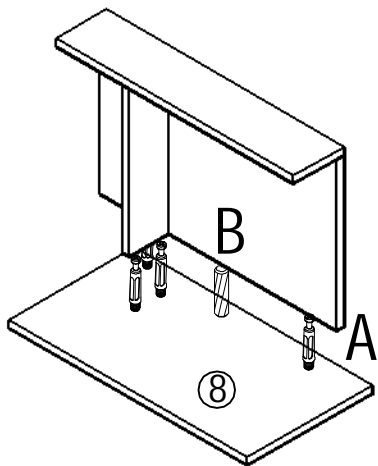
A*2 B*1

2



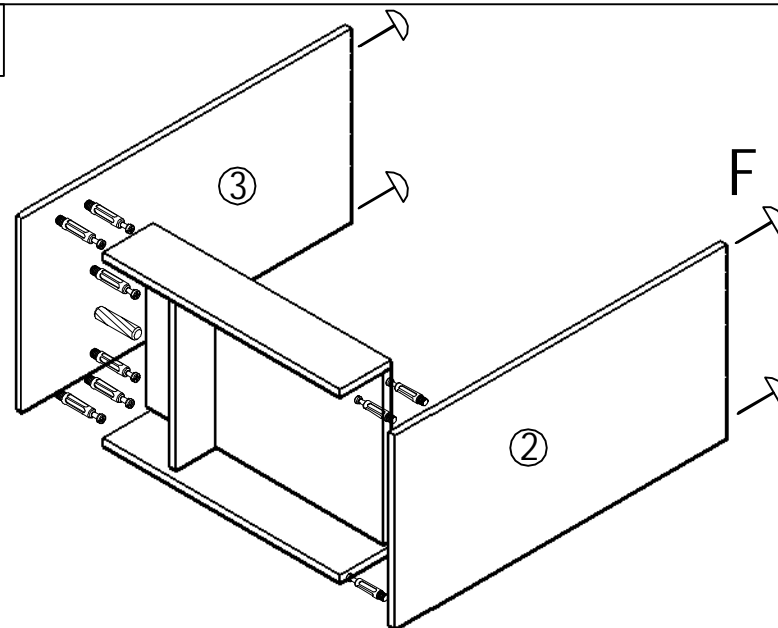
A*4 B*1

3



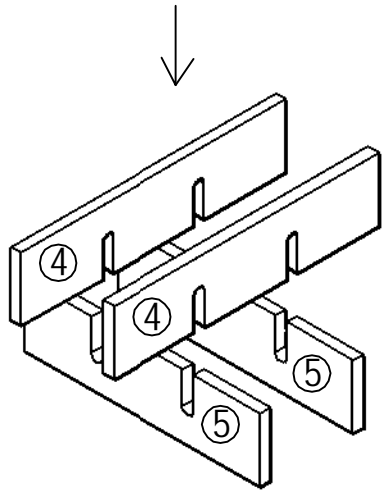
A*4 B*1

4

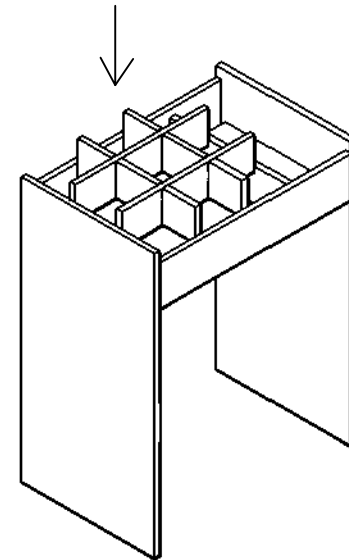


A*12 B*2 F*4

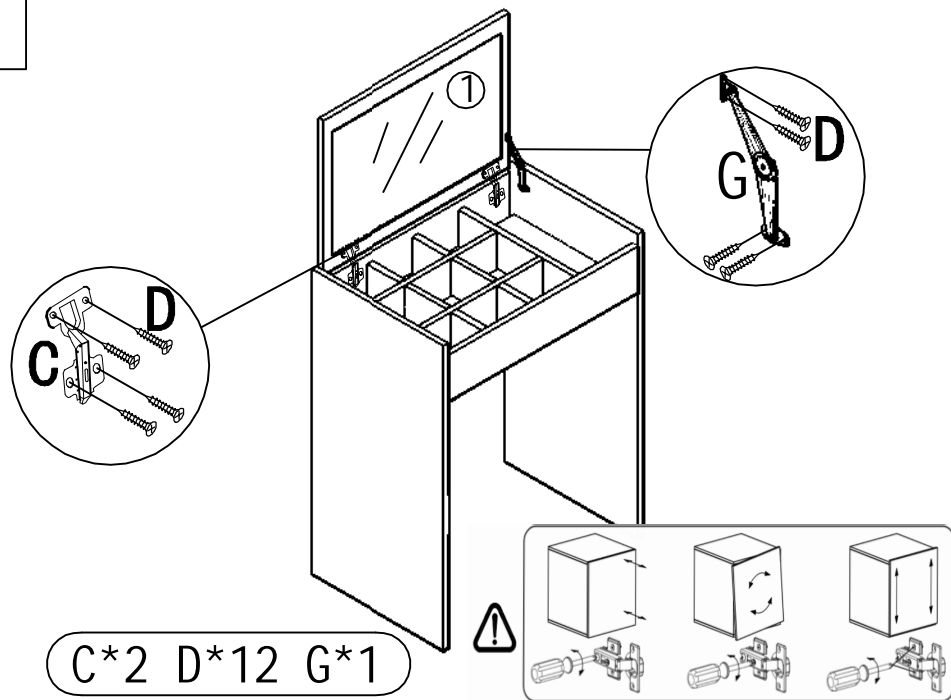
5



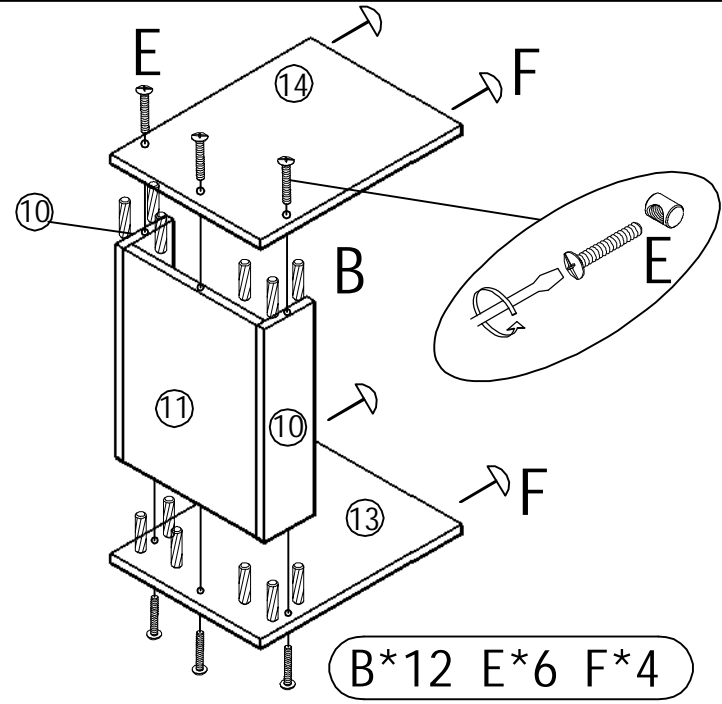
6



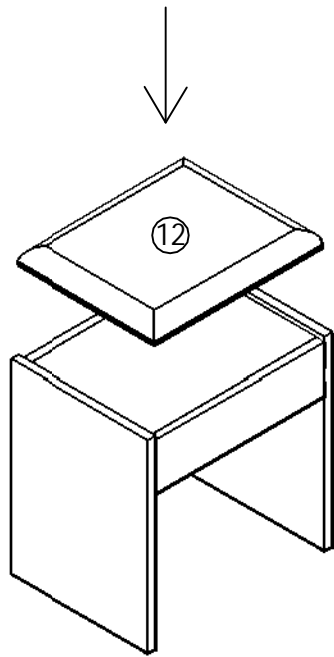
7



8



9



10

