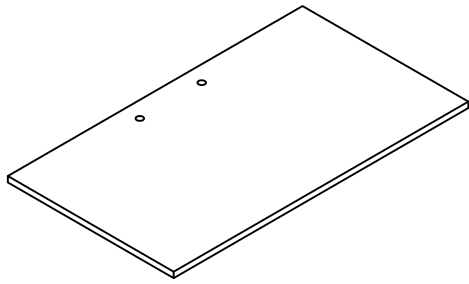


2-3Hours

READ AND SAVE THIS IN STRUCTION FOR FUTURE USE

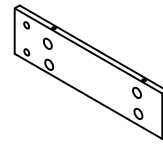
**ASSEMBLY INSTRUCTION**

1



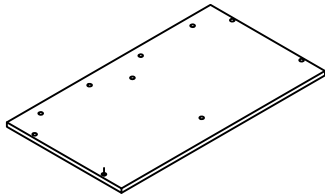
1 PC

2



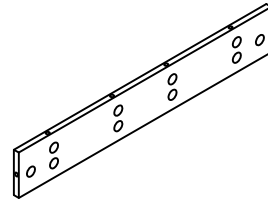
2 PCS

3



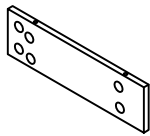
1 PC

4



1 PC

5



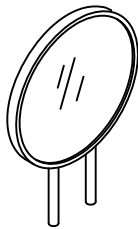
1 PC

6



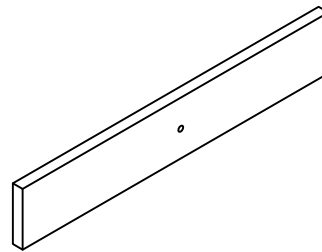
4 PCS

7



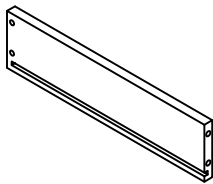
1 PC

8



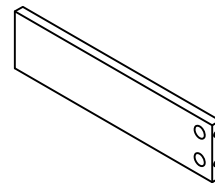
2 PCS

9



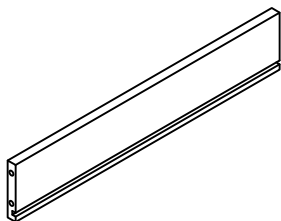
2 PCS

10



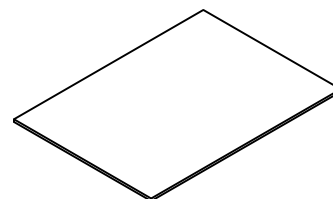
2 PCS

11

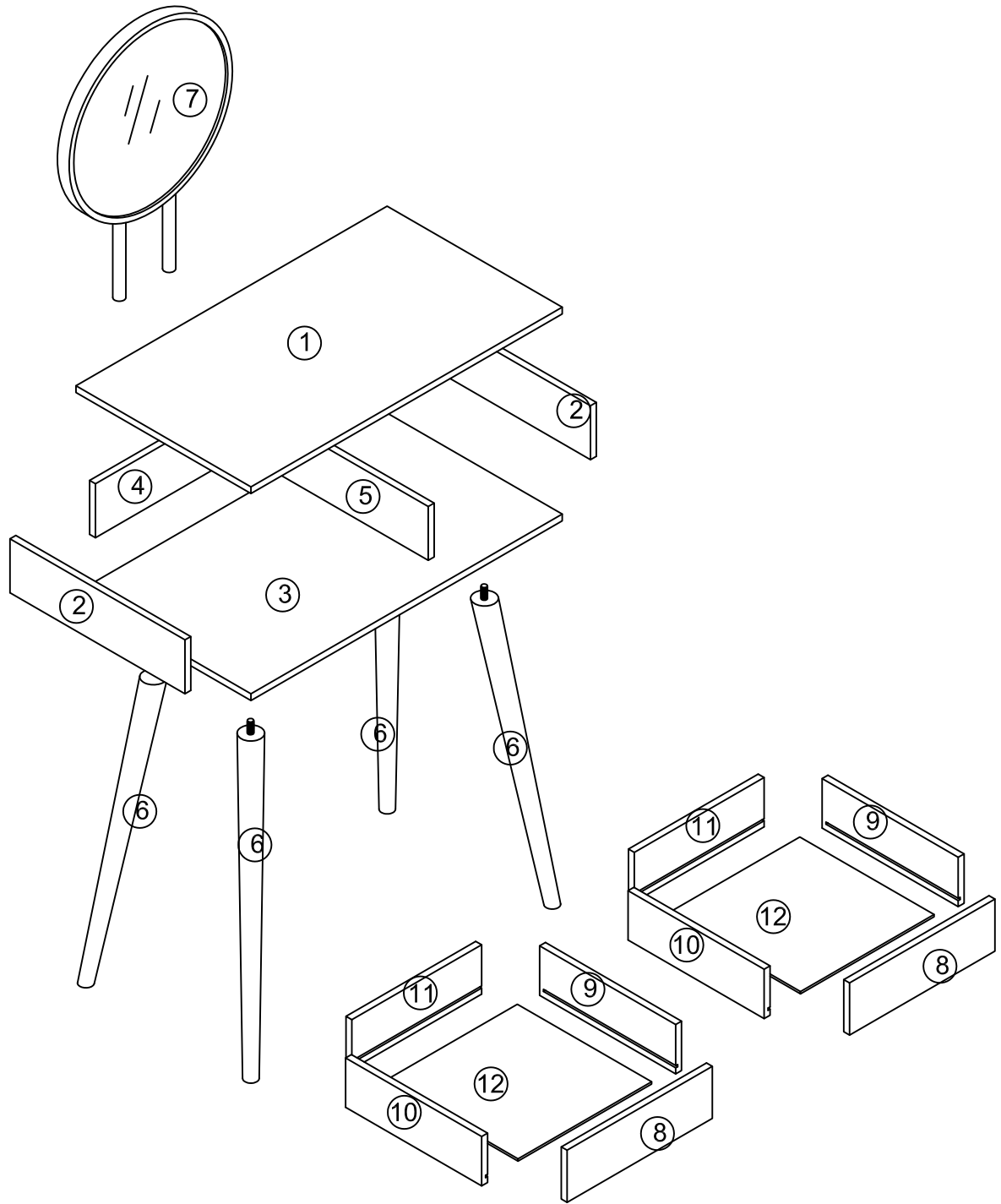


2 PCS



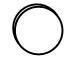
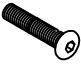
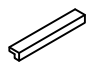







12



2 PCS



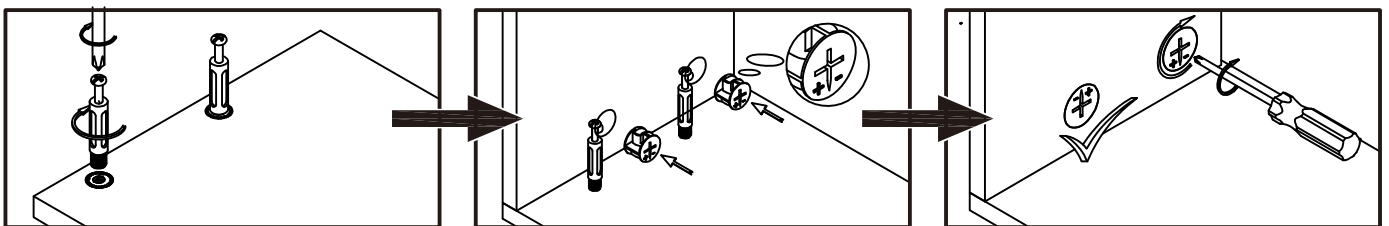
# HARDWARE LIST

<b>A</b>  M5X45 38 PCS	<b>B</b>  38 PCS	<b>C</b>  STICKER N PCS
<b>D</b>  6X40 2 PCS	<b>E</b>  2 PCS	<b>F</b>  4X18 4 PCS
<b>G</b>  2 PCS	<b>H</b>  4X12 2 PCS	<b>I</b>  4 PCS
<b>J</b>  4 PCS	<b>K</b>  2 PCS	<b>N</b>  1 PC

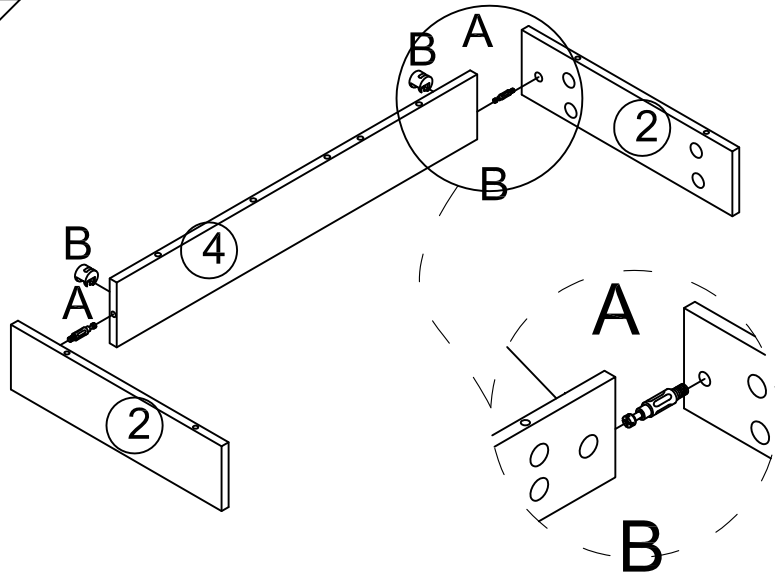
5X45mm bolt installation as below



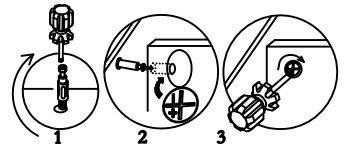
**NOT INCLUDED**



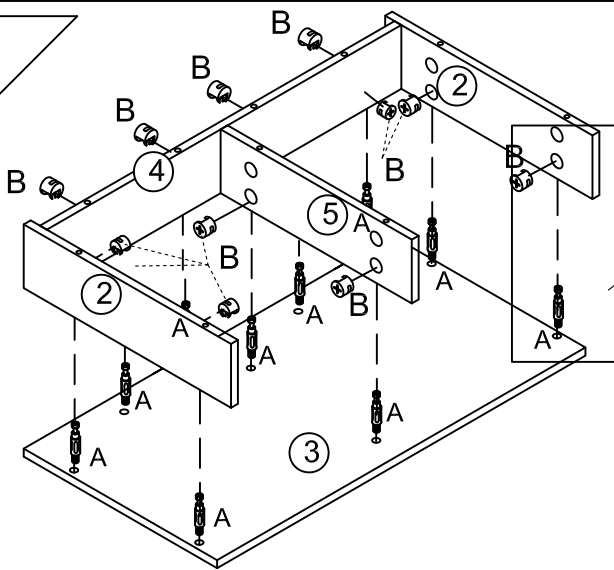
1



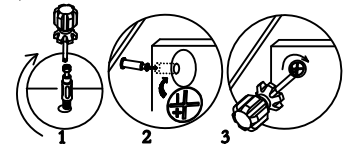
PARTS	
A	M5X45 2 PCS
B	2 PCS



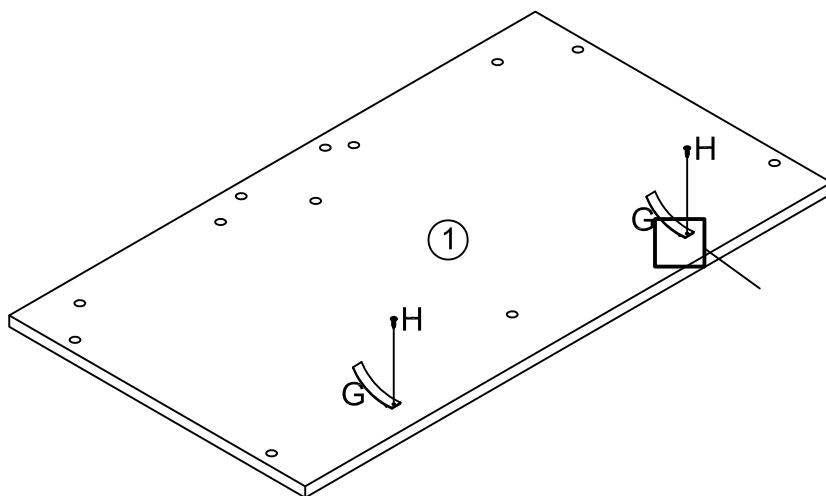
2



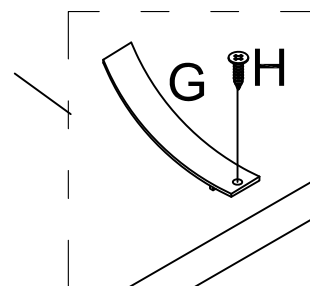
PARTS	
A	M5X45 10 PCS
B	10 PCS



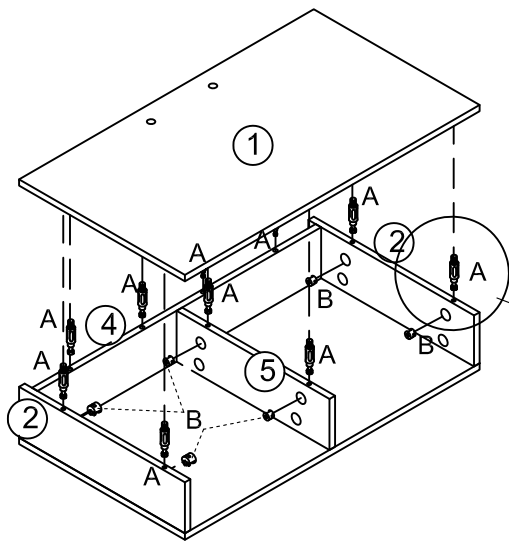
3



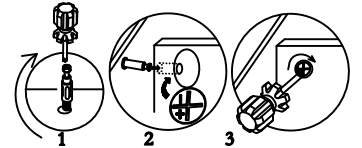
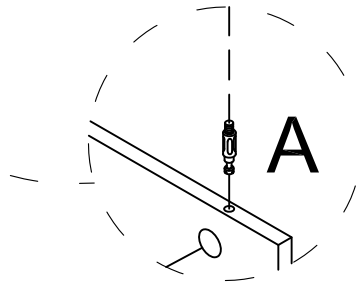
PARTS	
G	2 PCS
H	4X12 2 PCS



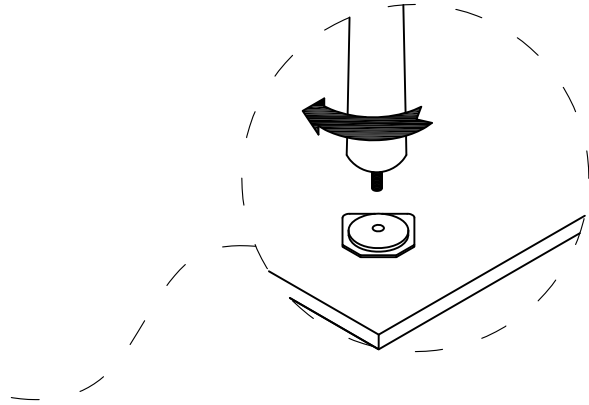
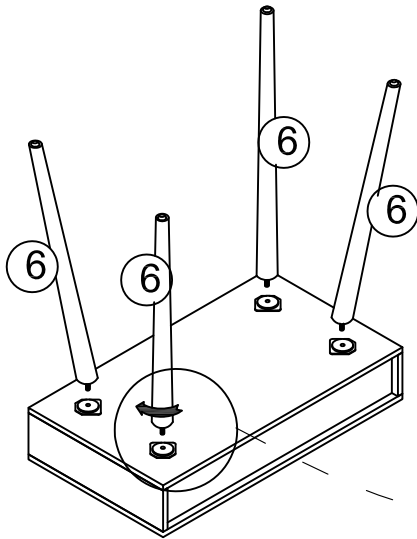
4



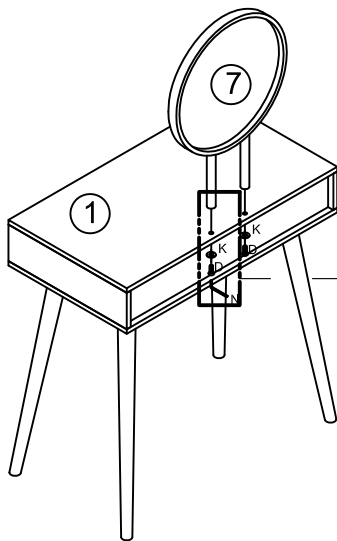
PARTS	
A	M5X45 10 PCS
B	10 PCS



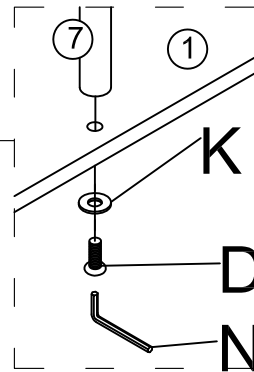
5



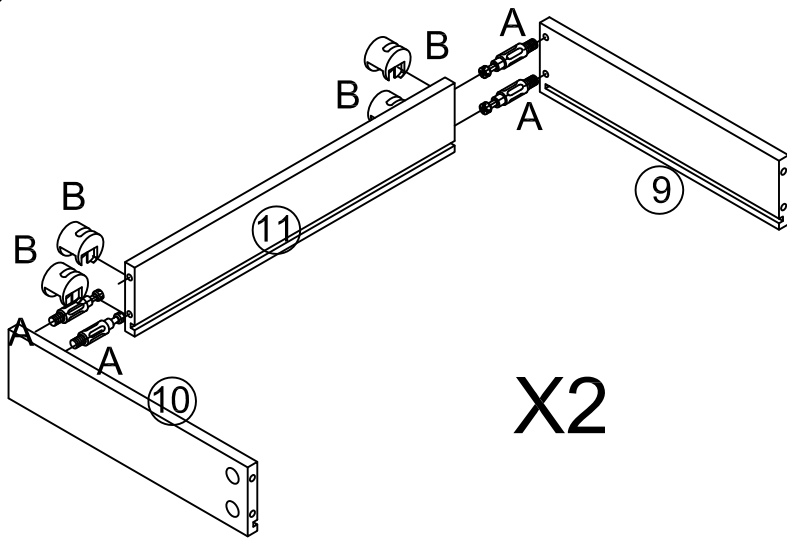
6



PARTS	
K	2 PCS
D	6X40 2 PCS
N	1 PC

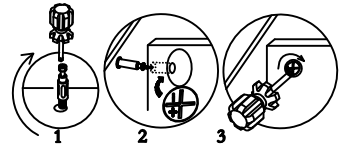


7

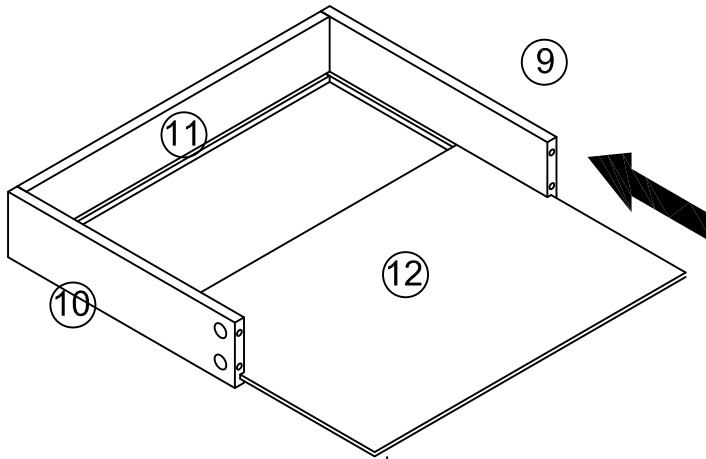


X2

PARTS	
A	M5X45 8 PCS
B	8 PCS

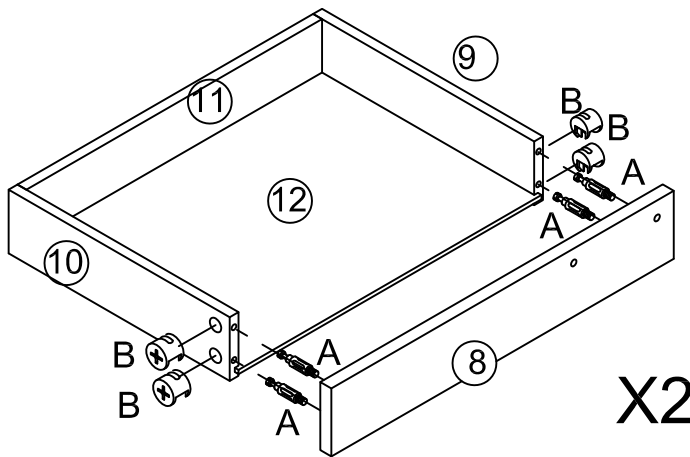


8



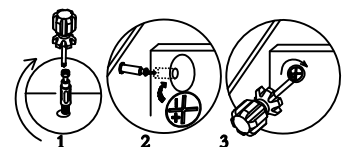
X2

9

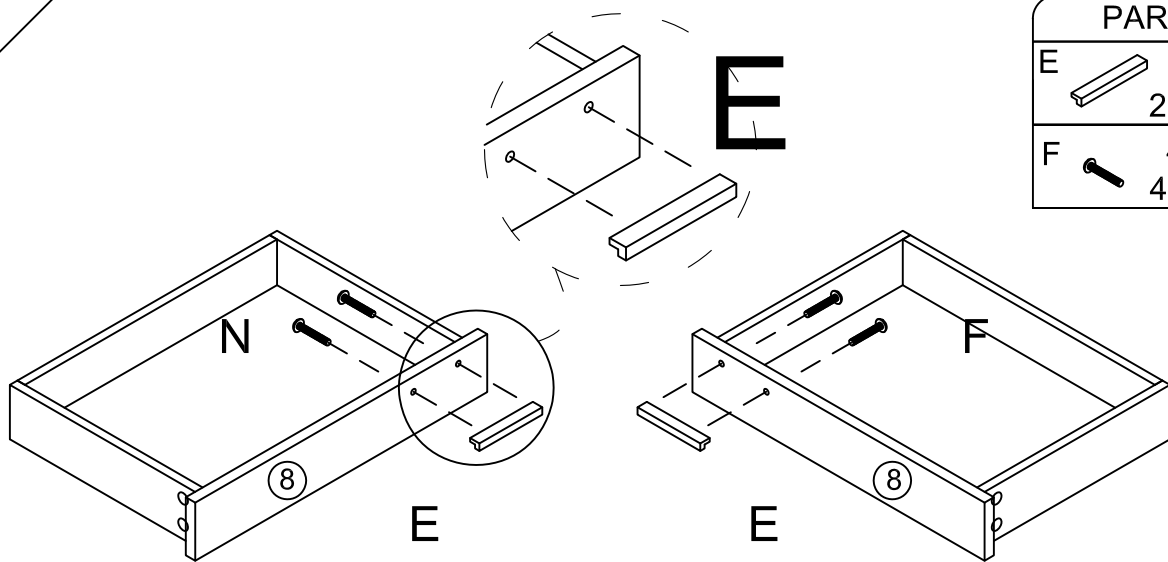


X2

PARTS	
A	M5X45 8 PCS
B	8 PCS

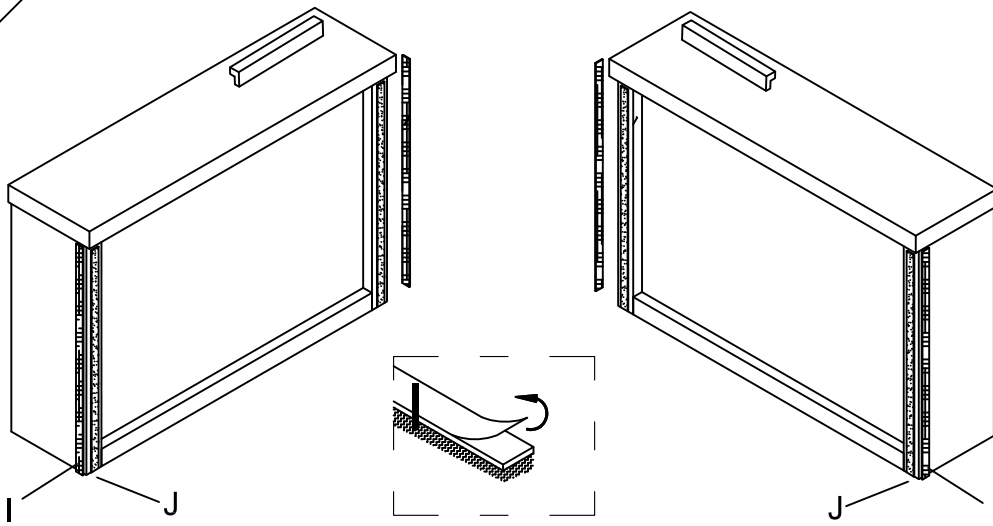


10



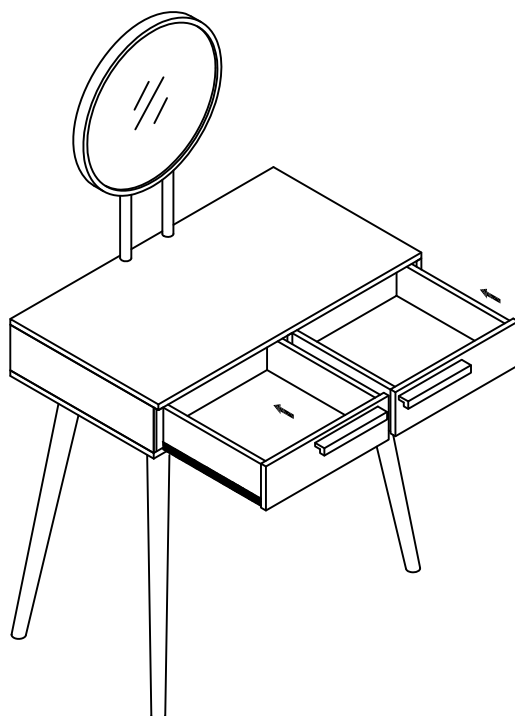
PARTS	
E	2 PCS
F	4X18 4 PCS

11



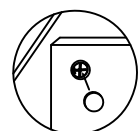
PARTS	
I	4 PCS
J	4 PCS

12



PARTS	
D	STICKER
	N PCS

You may skip this step, the sticker "D" is for covering the screw holes.







US

001-877-644-9366  
customerservice@aosom.com



CA

001-855-537-6088  
customerservice@aosom.ca



UK

0044-800-240-4004  
enquiries@mhstar.co.uk



DE

0049-(0)40-88307530  
service@aosom.de



FR

0033-1-84166106  
contact@aosom.fr



ES

0034-931294512  
atencioncliente@aosom.es



IT

0039-0249471447  
clienti@aosom.it

**Aosom**