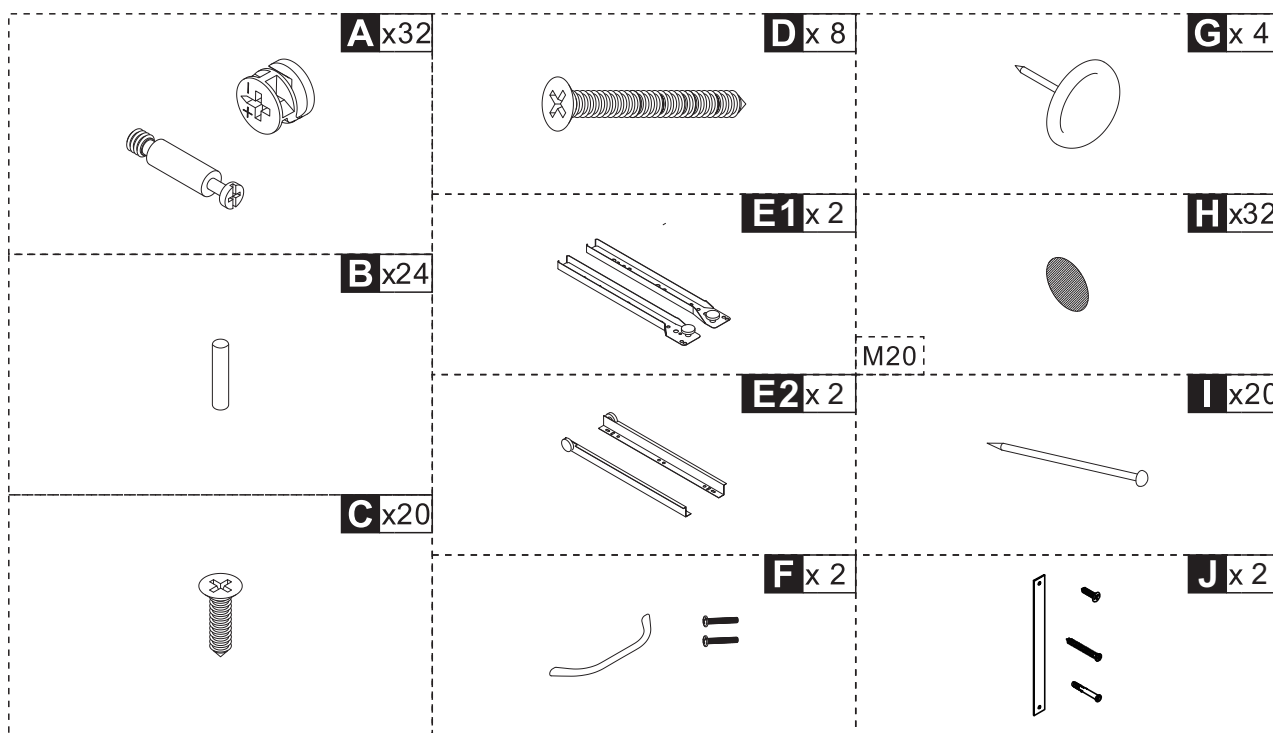
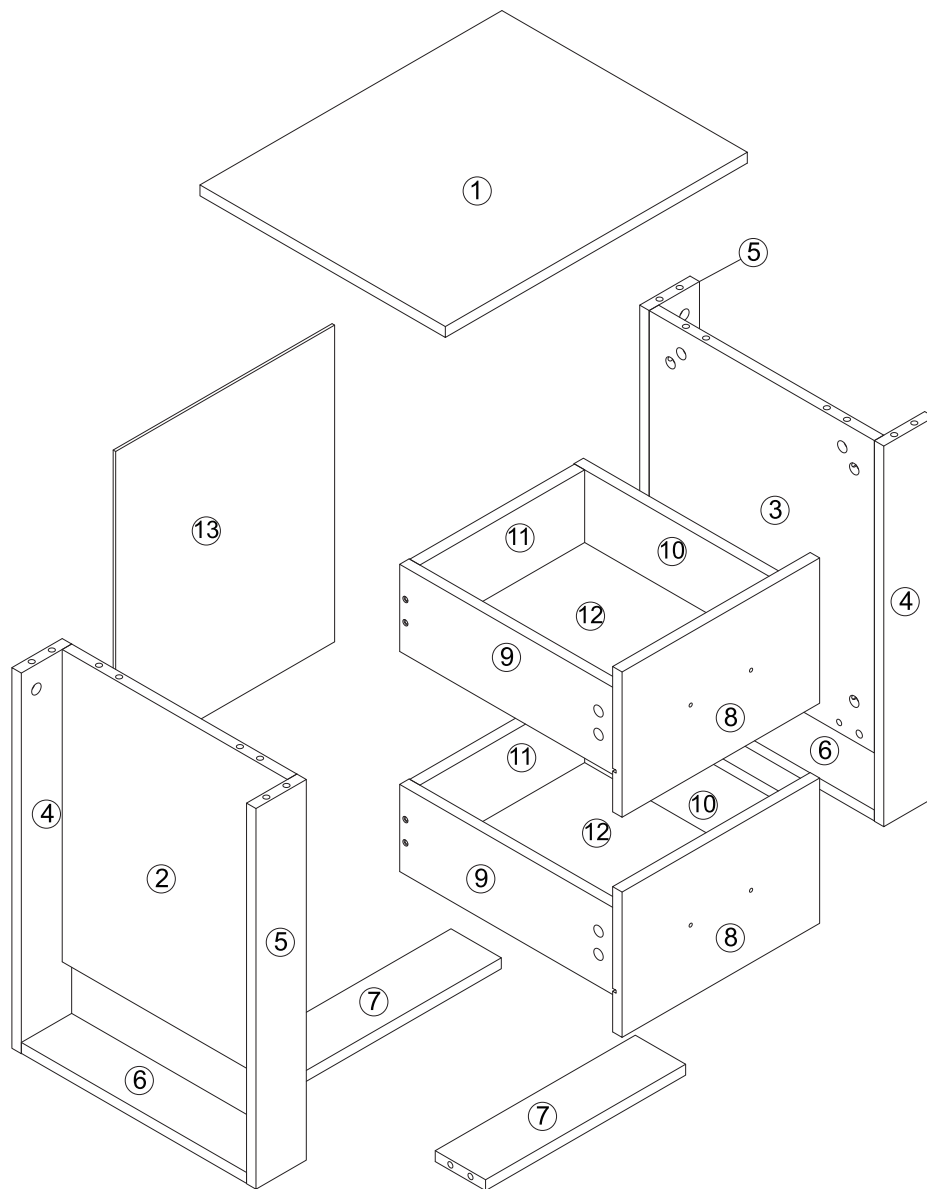


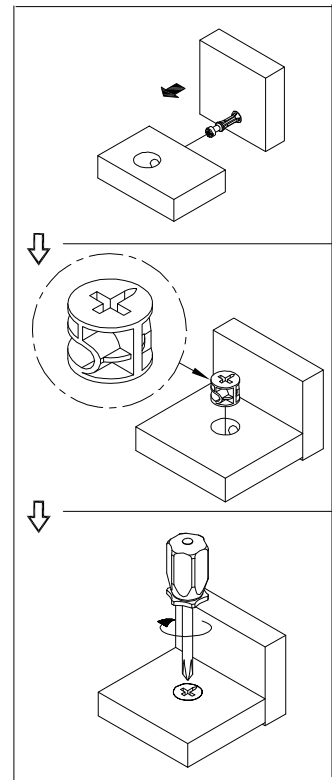
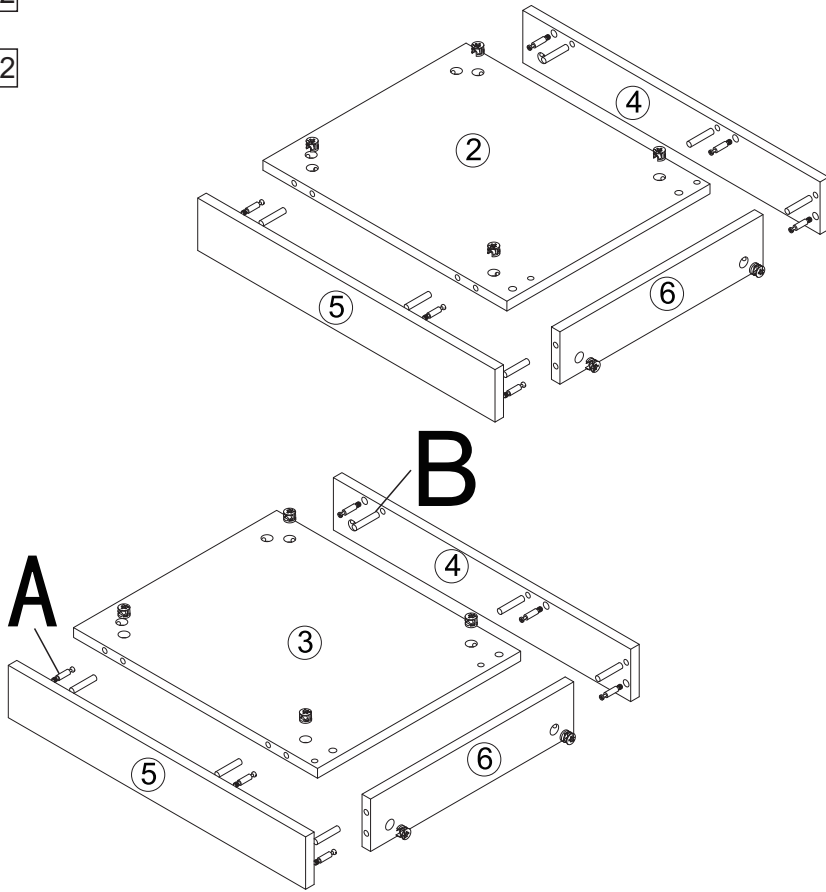
READ AND SAVE THIS INSTRUCTIONS FOR FUTURE USE

# ASSEMBLY & INSTRUCTION MANUAL

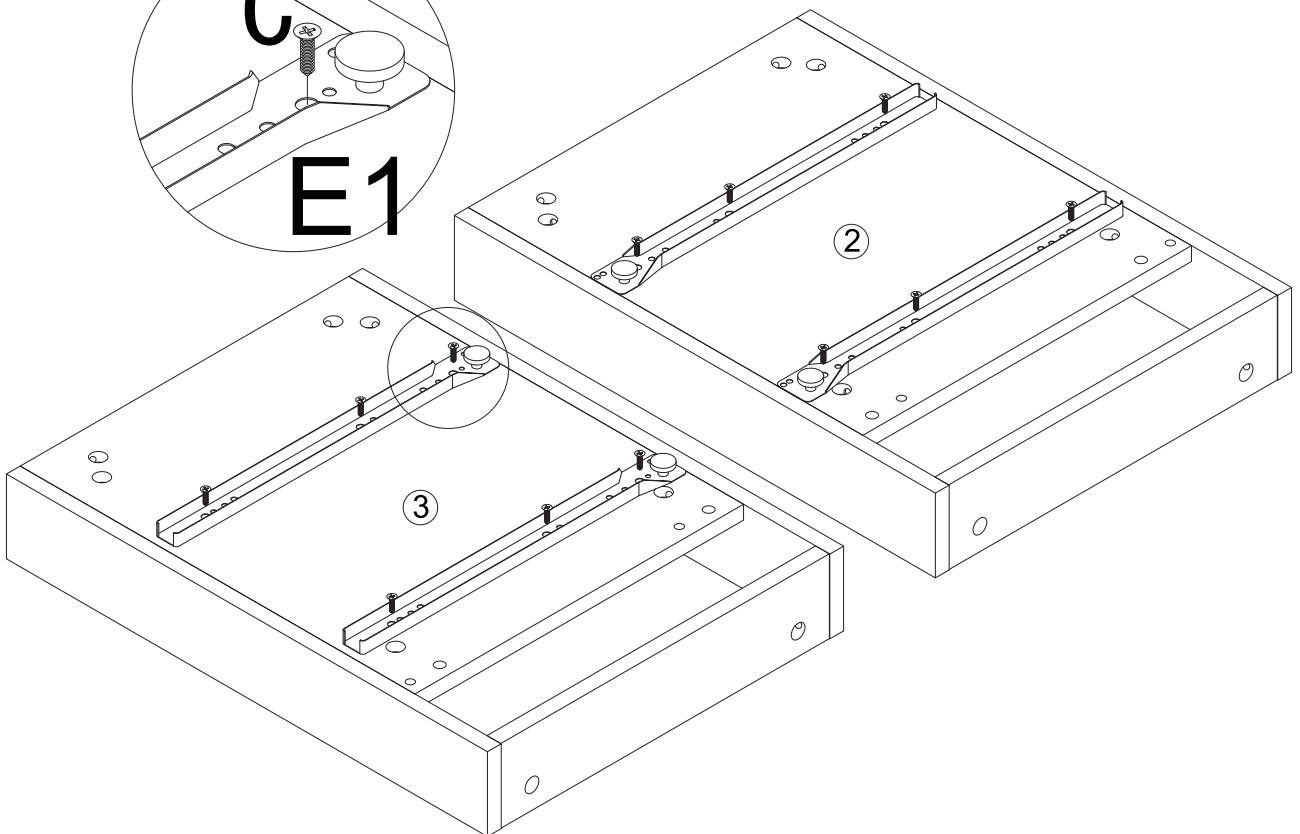
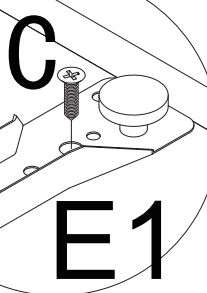


A x12

B x12

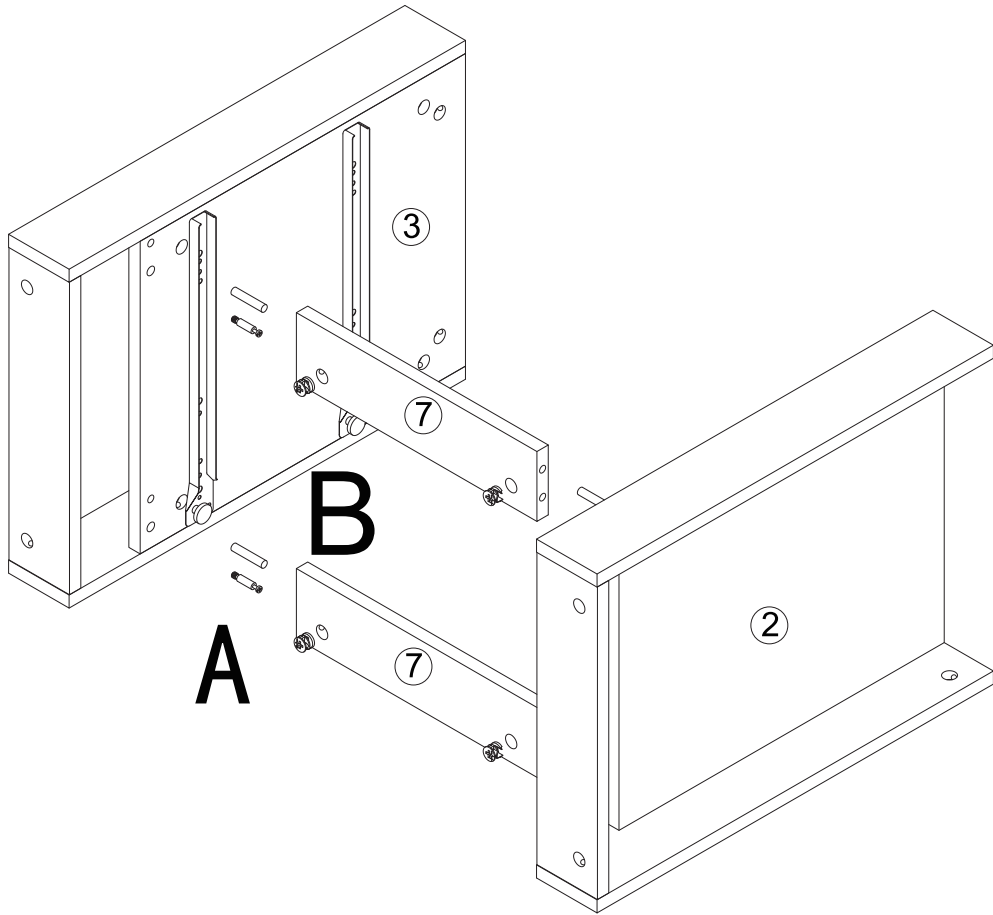


C x12



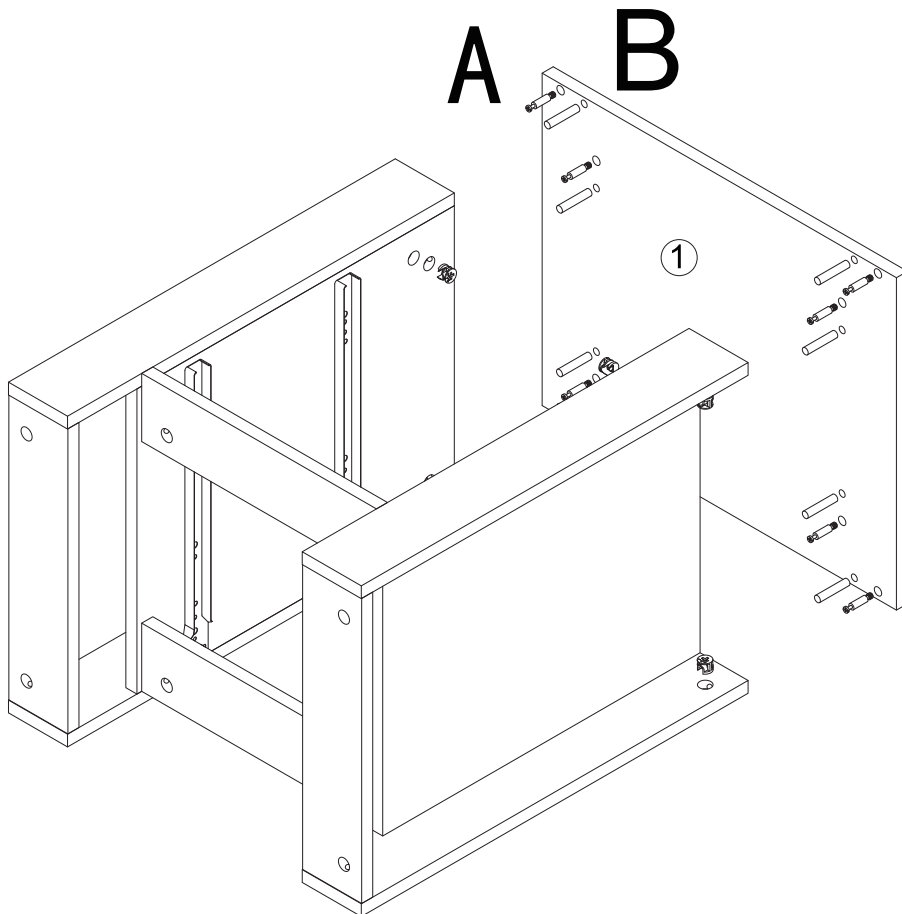
A x 4

B x 4



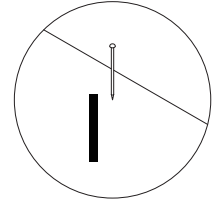
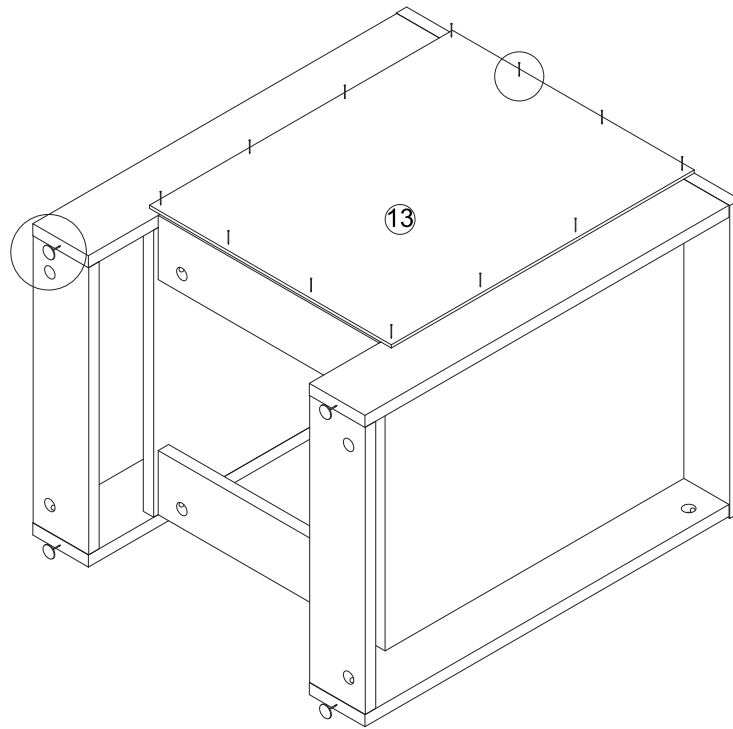
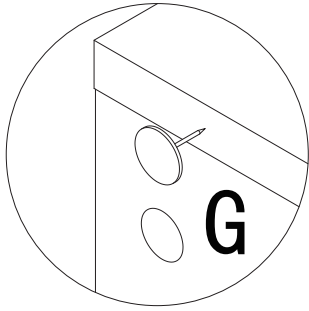
A x 8

B x 8



**G** x 4

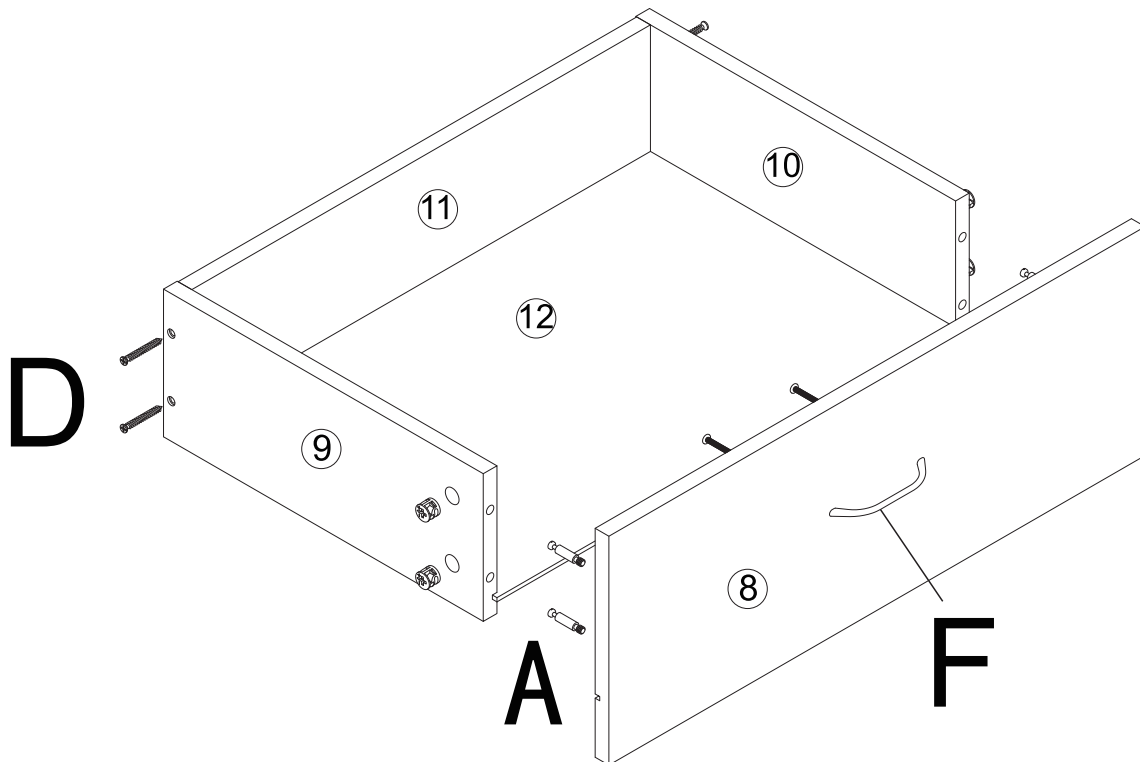
**I** x 20



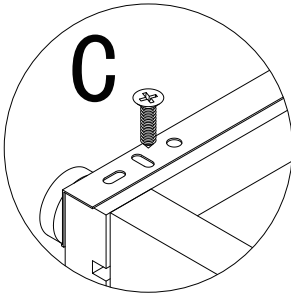
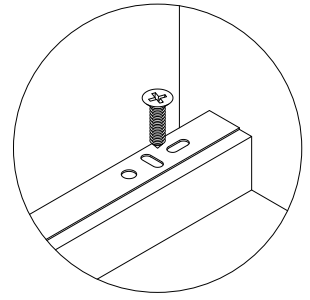
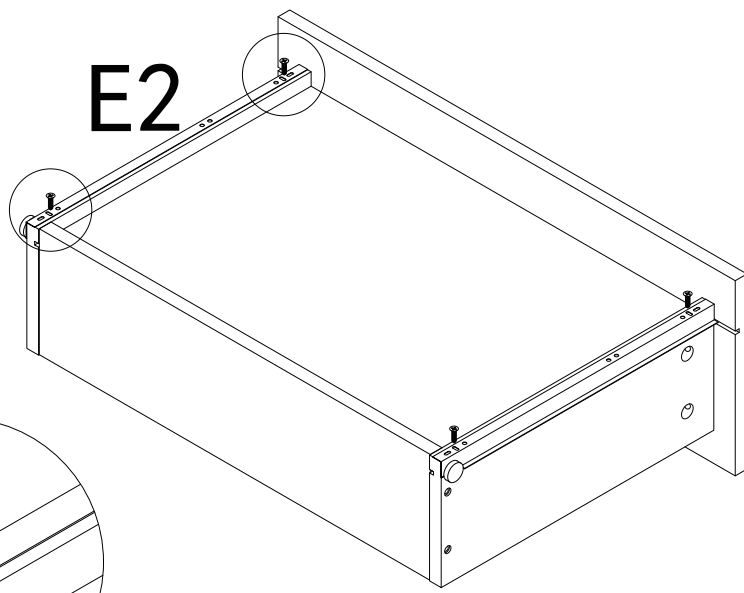
**A** x 8

**D** x 8

**F** x 2

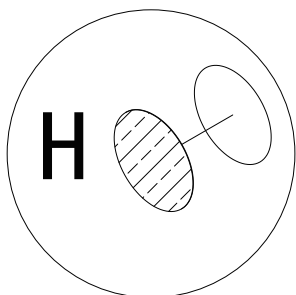
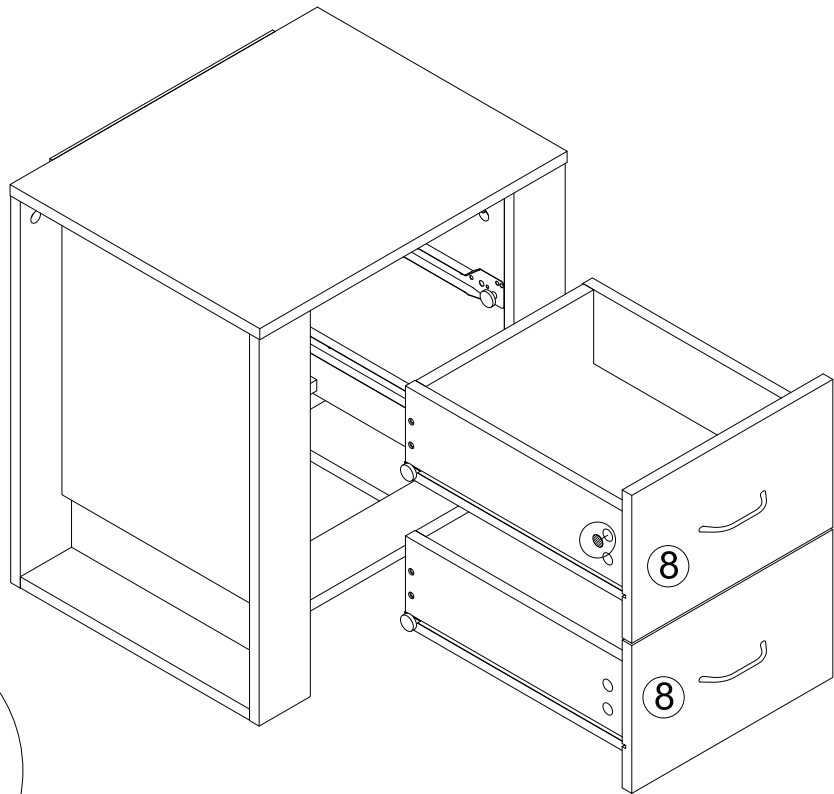


**C** x 8

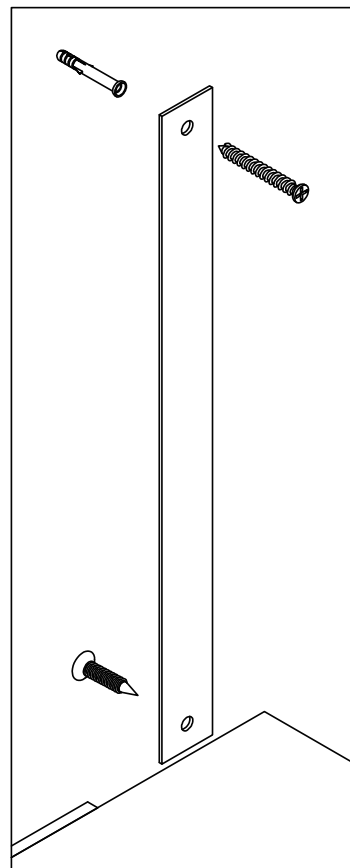
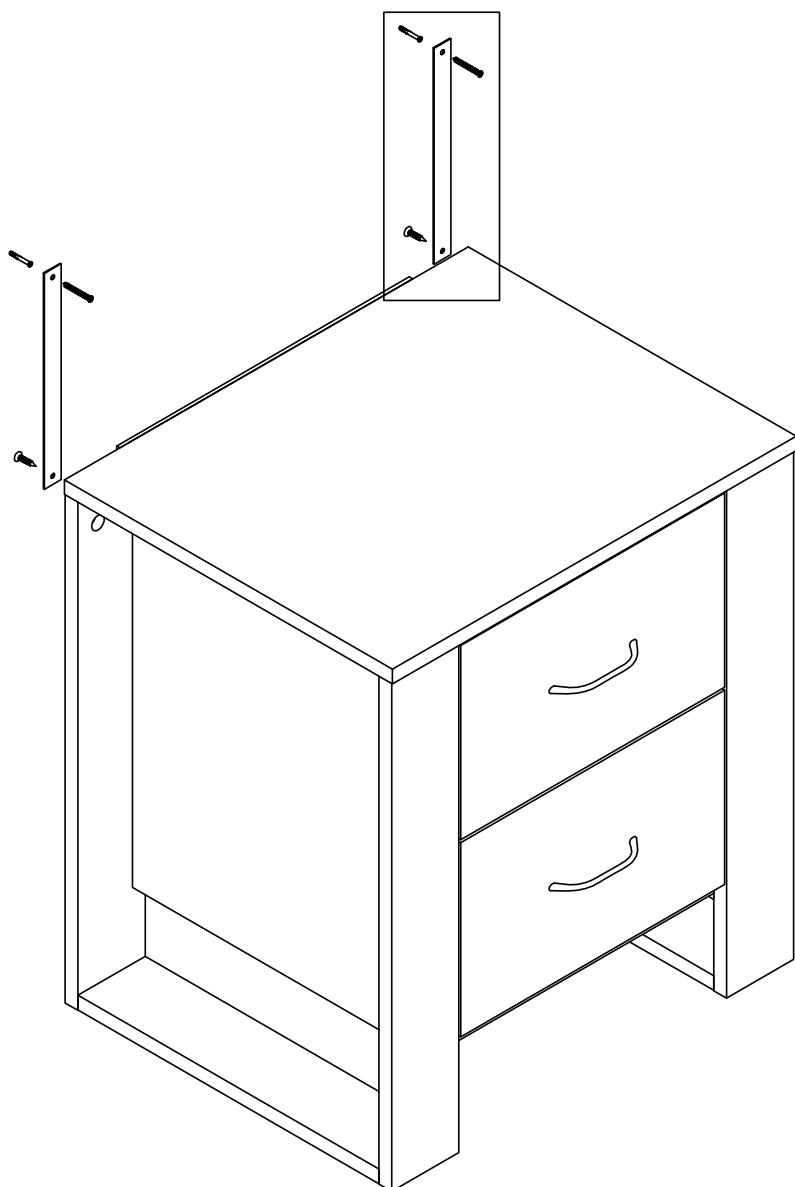


x2

**H** x32



J x 2



US



001-877-644-9366  
customerservice@aosom.com

CA



001-855-537-6088  
customerservice@aosom.ca

UK



0044-800-240-4004  
enquiries@mhstar.co.uk

DE



0049-(0)40-88307530  
service@aosom.de

FR



0033-1-84166106  
contact@aosom.fr

ES



0034-931294512  
atencioncliente@aosom.es

IT



0039-0249471447  
clienti@aosom.it