



INcsb040V01_UK

800-088



IMPORTANT, RETAIN FOR FUTURE REFERENCE: READ CAREFULLY

ASSEMBLY & INSTRUCTION MANUAL

IMPORTANT SAFEGUARDS


ATTENTION

If the supply cord is damaged, it must be replaced by the manufacturer or its service agent or a similarly qualified person in order to avoid a hazard.

The appliance is for household and indoor use only, do not use out doors.

Appliances are not intended to be operated by means of an external timer or separate remote-control system.

The temperature of accessible surfaces may be high when the appliance is operating. The outer surface may get hot, when the appliance is operating.

Symbol  its meaning is: Caution, hot surface!

This appliance can be used by children aged from 8 years and above and persons with reduced physical, sensory or mental capabilities or lack of experience and knowledge if they have been given supervision or instruction concerning use of the appliance in a safe way and understand the hazards involved. Children shall not play with the appliance. Cleaning and user maintenance shall not be made by children unless they are older than 8 and supervised. Keep the appliance and its cord out of reach of children less than 8 years old.

CLEANING

1. It is important that you clean the entire appliance after each use to prevent an accumulation of grease and avoid unpleasant odors.
2. Allow the appliance to cool and unplug from outlet before cleaning
3. Do not immerse appliance in water or wash it under waterspout
4. Removable grill, tray, can be washed, as normal kitchenware.
5. Clean outside of appliance with a damp sponge.
6. Do not use abrasive cleaners or sharp utensils to clean the oven, as it will scratch oven body.
7. Let all parts and surface dry thoroughly prior to operate the oven.

When using electrical appliance, basic safety precautions should always be followed, including the following:

1. Read all instructions before using.
2. To protect against any electrical hazards, DO NOT place unit or cord in water or any other liquids.
3. DO NOT touch any hot surfaces. Use oven mitts for removing or touching any hot parts. Always place oven on heat protected surface. Close supervision is always necessary when this appliance is used by or near children.
4. UNPLUG the unit from outlet when not in use and before cleaning. Always allow to cool before attaching or removing any parts.
5. The use of accessory attachments not recommended by the appliance manufacturer may cause injuries.
6. Always pull the plug out from the wall – **never pull the cord**. Remove the plug from the wall before moving the appliance. Use both hands to move the appliance.
7. Extreme caution should be exercised when using containers constructed of other than metal or glass.

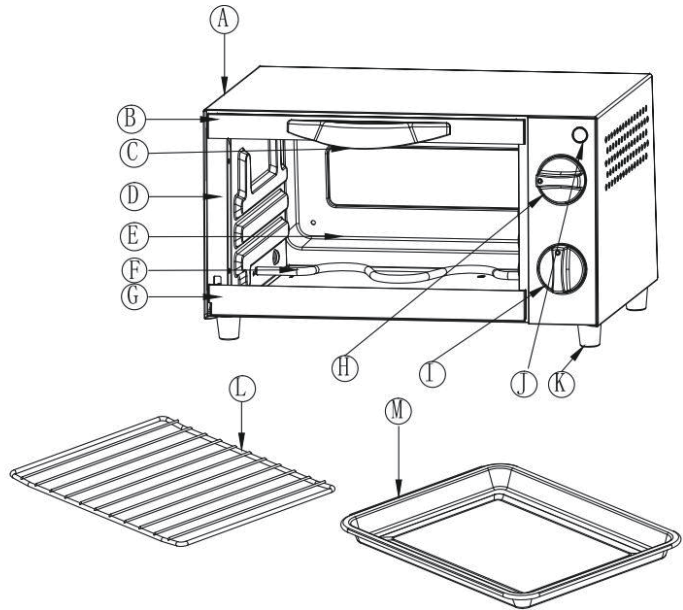
SAVE THESE INSTRUCTIONS

SHORT INSTRUCTIONS:

1. A short power-supply is provided to reduce the risks resulting from entanglement or tripping over a longer cord.
2. Longer detachable power cords or extension cords are available and may be used if care is exercised in their use.
3. If a longer extension cord is used:
 - a. The marked electrical rating of the detachable power supply cord or extension cord should be at least as great as the electrical rating of the appliance.
 - b. Arrange the longer cord so that it will not drape over the counter top or table top where it can be pulled on by children or tripped over unintentionally.

PARTS OF APPLIANCE

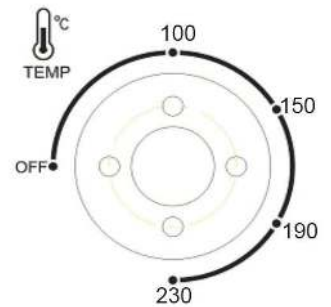
- A. Housing
- B. Upper door clip
- C. Door handle
- D. Front plate
- E. Glass door
- F. 'S' Shape heating element
- G. Down door clip
- H. Temperature control knob
- I. Timer knob
- J. Indicator light
- K. Oven foot
- L. Wire rack
- M. Bake tray



OPERATING INSTRUCTIONS

TEMPERATURE SETTING

Turn the Temperature knob clockwise to the desired temperature setting. The Temperature can be set from 100°C to 230°C



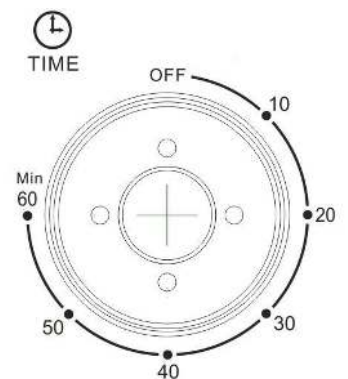
TIME SETTING

0-60 MINUTES: The Timer can be set up to 60 minutes. The oven will not turn on without the timer being set.

When the Time knob is in the "off" position, the oven will not operate. To set the time, turn the Knob clockwise to the desired time.

Indicator Light is lit only when Time has been set.

When the Timer has reached the OFF position, a bell sound will be heard. Power supply will be cut off automatically.



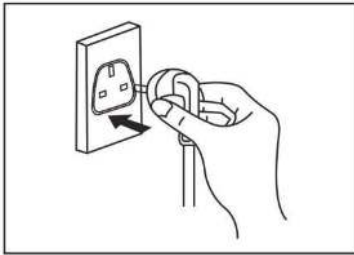
ADJUSTING TIME

Timer can be change during cooking cycle. Just turn the timer knob to the desired time and continue cooking.

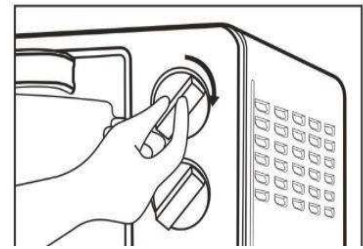
NOTE: To select the cooking time, first rotate the timer knob more than 10 minutes, and then turn the switch back to the time you require.

HOW TO USE YOUR OVEN FOR BAKING AND GRILLING

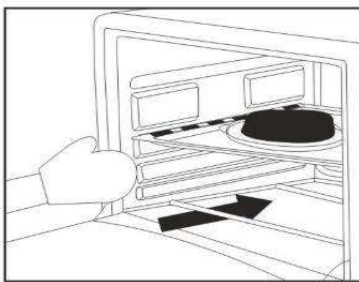
1. Put the power cord in the socket



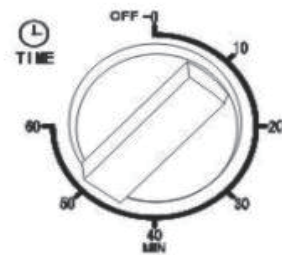
2. Pre-heat the oven with approximate 15 minutes



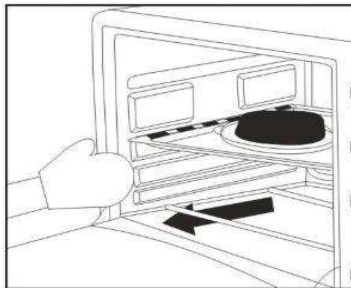
3. Put the food into oven



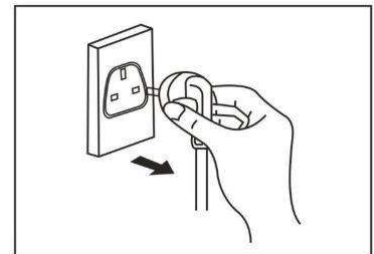
4. Set the timer and temperature



5. Take out the food when the process finished



6. Unplug the power




OPERATING INSTRUCTION

Before using your oven for the first time

Be sure to

1. Make sure that the oven is unplugged and the TIMER switch is on the OFF position.
2. Remove all rack and pans and wash them in hot sudsy water or in the dishwasher.
3. Thoroughly dry all accessories and re-assemble in oven. Plug the power cord into socket and you are ready to use your new oven.
4. After re-assembling your oven, we recommend that you run in at the max temperature for approximately 15 minutes to eliminate any dirty oil on its surface.

Attention: The oven may emit smoke with first time use under normal operating conditions and will soon disappear after 5 minute.

Correct Disposal of this product	
	<p>This marking indicates that this product should not be disposed with other household wastes throughout the EU. To prevent possible harm to the environment or human health from uncontrolled waste disposal, recycle it responsibly to promote the sustainable reuse of material resources. To return your used device, please use the return and collection systems or contact the retailer where the product was purchased. They can take this product for environmental safe recycling.</p>