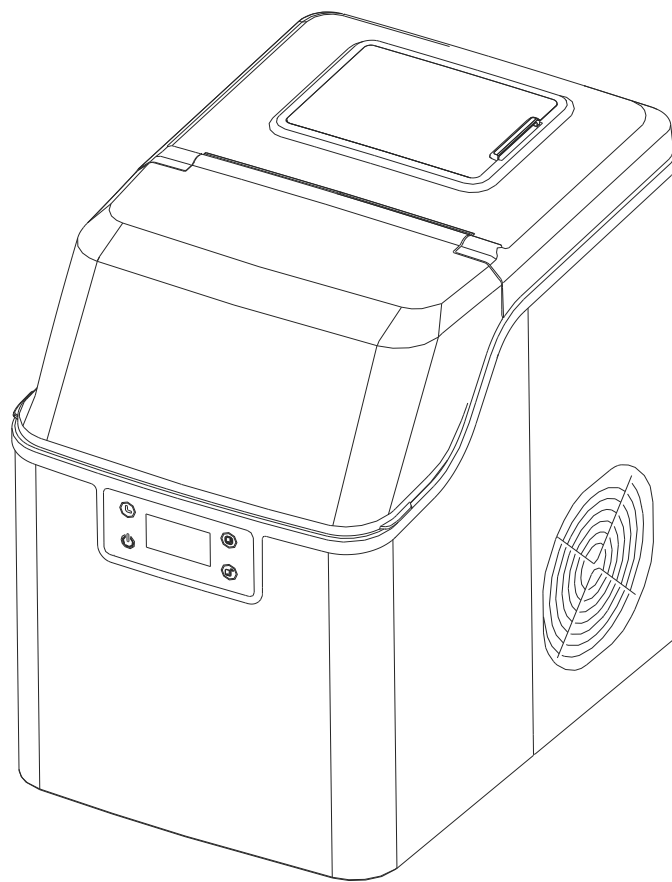




INcsb075\_UK\_DE\_IT

**800-139\_800-139V70**



**ICE MAKER  
EISMASCHINE  
MACCHINA DEL GHIACCIO**



**IMPORTANT, RETAIN FOR FUTURE REFERENCE: READ CAREFULLY**

**ASSEMBLY INSTRUCTION**

## **PREPARING YOUR ICE MAKER FOR USE**

The safety of yourself and others is very important.  
The manual includes important instructions on how to operate the appliance safely.  
Carefully read and follow instructions

This is the safety alert symbol: 

All messages will follow the safety alert symbol and the word 'DANGER' or 'WARNING'

 **DANGER**

 **WARNING**

These words mean:

Serious harm or death may occur if instructions are not properly followed.

Safety messages will include: Details of potential hazards, reducing the chances of injury, and the consequences if instructions are not correctly followed.

### **IMPORTANT SAFETY TIPS**

When using electrical appliances, basic safety precautions should be followed to reduce the risk of fire, electric shock, and injury to persons or property. Read all instructions before using any appliance.

- Under guided supervision, this appliance can be used by children aged eight years and above, provided they understand the potential risks and hazards. Under guided supervision, the appliance can be used by persons with disabilities or persons without experience, provided they understand the potential risks and hazards.
- Children are not permitted to play with the appliance.
- Children should not clean or maintain the appliance without supervision.
- Do not operate this, or any other appliance with a damaged cord.

If the supply cord is damaged, it must be replaced by the manufacturer, its service agent or a similarly qualified person to avoid potential hazards.

The ice maker must be positioned so the plug is accessible .

Connect to properly polarized outlets only. No other appliance should be plugged into the same outlet. Ensure the plug is fully inserted into the receptacle.

- Do not run the power cord over carpeting or other heat insulators. Do not cover the cord. Keep the cord away from congested areas, and do not submerge in water.
- It is not recommended to use an extension cord, as it could overheat and become a fire hazard. If you must use an extension cord, use a minimum size of No.0.75mm<sup>2</sup> and rated no less than 16A/250V~ with a plug.
- Unplug the ice maker before cleaning, servicing or maintenance.
- Be cautious when operating the appliance near children.

- Do not use the ice maker outdoors, and keep the appliance out of direct sunlight. Ensure there is at least six inches of space between the back of your unit and the wall. A minimum distance of six inches on each side of your unit should be free.
- No liquids, other than water, should be used to make ice cubes.
- Do not clean the ice maker with flammable liquids. This is a potential fire or explosion hazard.
- Do not tip the unit over.
- If the ice maker arrives from cold conditions (i.e. outside), wait a few hours for the appliance to warm up to room temperature before plugging it in.
- Do not store explosive substances such as aerosol cans with a flammable propellant in this appliance.
- This appliance must be earthed.
- This appliance is intended to be used in households only.



- **Warning: Risk of fire/flammable materials used.** Please adhere to local regulations regarding the disposal of the appliance, due to its flammable gas.
- **WARNING:** Do not obstruct the ventilation points in the appliance.
- **WARNING:** Do not damage the refrigerant circuit.
- **WARNING:** Do not use mechanical devices or other means to accelerate the defrosting or ice harvesting process, unless recommended by the manufacturer.
- **WARNING:** Do not use other types of electrical appliances inside the ice maker.

**IMPORTANT:**

The wires in the main lead are coloured in accordance with the following code:

Green and yellow:	Grounding
Blue:	Neutral
Brown:	Live

- Before scrapping the appliance, remove the doors to avoid potential hazards.
- This appliance is not intended for use by persons (including children) with reduced physical, sensory or mental capabilities, or lack of experience and knowledge, unless they have been given supervision or instruction concerning use of the appliance by-a person responsible for their safety.
- Young children should be supervised to ensure that they do not play with the appliance.
- Please according to local regulations regarding disposal of the appliance for its flammable refrigerant and blowing gas. Before you scrap the appliance, please take off the doors to prevent children trapped.

## GETTING TO KNOW YOUR UNIT

### 1. Control panel:

#### A. Timer/clean button

Press this button once to enter the 'Timer'. Hold the button for longer than five seconds to enter the cleaning programme.

#### B. ON/OFF button

Press this button to switch on the unit.

When the unit is making ice cubes, hold the button for longer than five seconds to switch to the ice harvesting process.

#### C. LCD Display window

1. The display will show 'M', for the ice making countdown. The display will show '°C' for the ambient temperature.

2. Ice cube symbol: The symbol will rotate when making ice cubes.

3. Automatic self-cleaning sign.

4. ON/OFF sign.

5. Error code E1- There is a fault with the ambient temperature sensor .E2- There is a fault with the water temperature sensor.

E- The ice making machine or the refrigerant is leaking.

6. 'Lack of water' warning sign.

7. 'Ice full' warning sign.

8. Time setting display. When the display shows 'H', press 'ON/OFF'.

When the display shows 'M', set the timer for the ice making cycle.

#### D. Decrease the ice making time.

#### E. Increase the ice making time.

### 2. Ice basket

### 3. Evaporator

### 4. Water separator pipe

### 5. Unit top cover

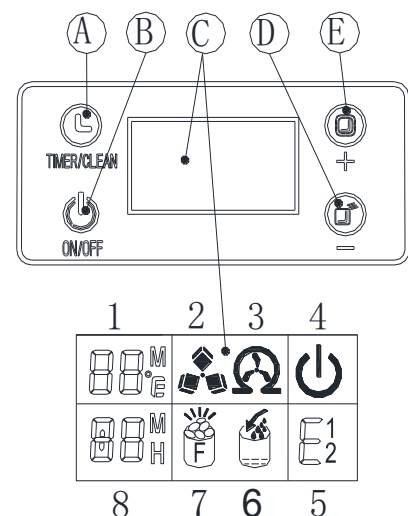
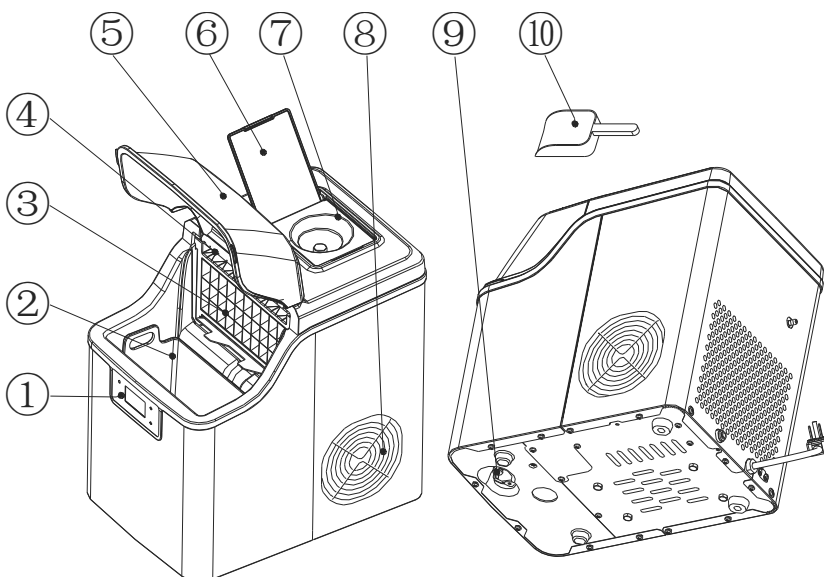
### 6. Cover for the water reservoir

### 7. Support seat for a water bottle

### 8. Hot air outlet

### 9. Water draining cap: To drain the water from unit

### 10. Ice scoop



## OPERATING PROCEDURES & MAINTENANCE

### UNPACKING YOUR ICE MAKER

1. Remove all packaging. Check the ice basket and scoop are included. If any parts are missing, please contact our customer service.
2. Clean the inside with lukewarm water and a soft cloth. Take out the ice basket and clean it.
3. Keep the appliance away from direct sunlight and other sources of heat (i.e. stove, furnace, radiator). Place the ice maker on an even surface. Allow at least six inches of space between the back and sides of the ice maker and the wall.
4. Allow one hour for the refrigerant liquid to settle before plugging in the ice maker.
5. Position the appliance so the plug is accessible.

**WARNING: Fill with drinking water only.**

### DANGER

**\*Improper use of the grounded plug can result in the risk of electrical shock. If the power cord is damaged please call our customer service.**

1. This unit should be properly grounded for your safety. The power cord of this appliance is equipped with a three-prong plug that aligns with standard three-prong wall outlets to reduce the risk of an electric shock.
2. Plug your appliance into an exclusive, properly installed, grounded wall outlet. Under no circumstances, do not cut or remove the third (ground) prong from the power cord.

Any questions concerning power and/or grounding should be directed towards a certified electrician.

3. This appliance requires a standard 220-240volt, 50Hz electrical outlet with three-prong ground.

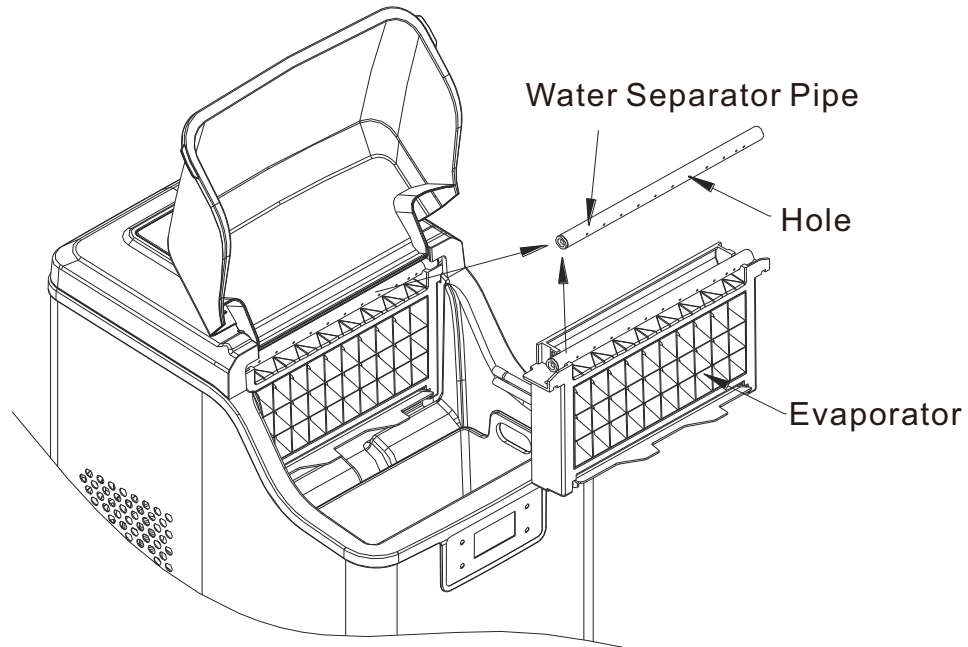
### CLEANING AND MAINTAINING YOUR ICE MAKER

**Before using the ice maker, ensure it is cleaned thoroughly.**

1. Take out the ice basket.
2. Clean the inside with diluted detergent, warm water and a soft cloth.
3. Then use the water to rinse the inside parts, and drain out the water by unplugging the drain cap on the side.
4. Clean the outside of the unit regularly with a mild detergent solution and warm water.
5. Dry the inside and outside with a soft cloth.
6. When the machine is off, open the water drained cap to drain water from the reservoir.

**Clean the appliance regularly. Ensure the water separator pipe and filters are cleaned regularly.**

1. If the water separator pipe is blocked and no water is flowing- The pump is still working. Turn off the unit, take out the pipe and clean it, including each hole. Once cleaned, put the pipe back into its original position.



2. Clean the water tank and the big reservoir with diluted detergent, warm water, and a soft cloth. Use water to rinse the inside, and drain by unplugging the drainage cap at the bottom to maintain good hygiene.

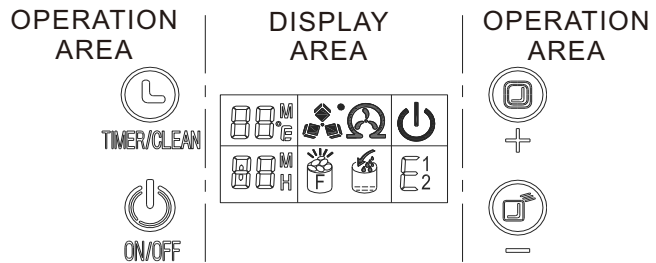
3. If ice cubes are stuck in the machine when cleaning, turn on the unit and start the ice making cycle. Hold the 'ON/OFF' button for longer than 5 seconds to start the ice harvest cycle- This will melt the ice cubes.

#### **How to drain the water from the internal tank and the big reservoir**

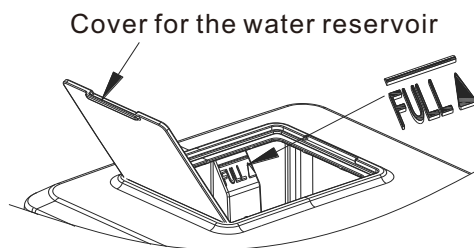
To drain the water, plug in the unit but don't start it. Remove the drain port cap at the back and wait a few minutes for the water to completely drain.

## USING THE ICE MAKER


Operation panel and display area








1. Remove the cover of the reservoir and fill with drinkable water. Keep the water below the maximum level. The maximum level will be marked with FULL, as shown in the picture below.



**Warning:** Do not pour water into the internal tank underneath the ice basket. The tank is too small and will affect the machine's performance.

2. Turning on the machine: Plug in the unit, and the power <  > sign will flash. The current ambient temperature will display at the top left corner. For example, '80F' means 80 Fahrenheit.

Press the 'ON/OFF' button to start the unit, and the water will fill the tank to the standard water level. The compressor will begin to make ice cubes. The ice cube sign <  > will rotate, and the ambient temperature will disappear. A few minutes into the process, flashing digits will display at the top left corner. For example, the digits will display '10M', meaning the cycle has 10 minutes until completion.

3. When ice maker harvest, symbol <  > flash, the water will flow from top water reservoir to bottom water tank through solenoid valve, the symbol <  > will be on, when the water in the bottom water tank is full, the symbol <  > will be off, then the next ice making cycle start again. When there is no water in the water reservoir, the symbol <  > will keep on.

Turn off the unit and fill water again, then restart the unit to make ice cube. Or fill water directly and wait 20mins, the unit will restart.

**Note:** The ice making cycle lasts approximately 13 to 25 minutes, depending on the ambient temperature. The hotter the temperature, the longer it could take.

First-time use might take slightly longer, depending on the water temperature. The cycle time will not exceed 35 minutes.

To change the thickness of the ice cubes during the cycle, press '+' or '-' to change the time. Press once to increase/decrease by one minute, with six minutes being the maximum. This can only be done from a new cycle.

4. The unit will stop when the 'Ice Full' sign  is on. Take out the ice cubes to restart the ice making cycle.

Holding the 'ON/OFF' button for longer than five seconds during the ice making cycle to switch to ice harvesting.






**TIMER SETTING- UNIT OFF SETTING:** The unit will automatically turn off once the set timer is up.

**TIMER SETTING- UNIT ON SETTING:** The unit will automatically turn on once the set timer is up.

Press the 'TIMER' button so the display shows '1H'. Press '+' or '-' to set the time. During this process, the 'H' will flash. Five seconds after time is selected, the 'H' will remain lit, indicating the setting is complete.

5. Draining water: Remove the water draining cap at the bottom of the unit and drain the water. It is best to change the water every 24 hours and clean the unit every three days.

## Automatic self-cleaning programme

**Starting the self-cleaning programme:** Plug in the unit, and hold the 'TIMER/CLEAN' button on the control panel for longer than five seconds. The symbol  will start rotating. It takes approximately 20 minutes to complete one cycle and will turn off automatically once finished.

**Cancel the self-cleaning program:** It takes about 20 minutes to complete one self-cleaning program. When the program is over, the system will be in off-state automatically. And also you can press the "ON/OFF" button on control panel to cancel the self-cleaning program by force.

### Warning

A. Check the water tank, filter and separator pipe is not blocked. Regularly clean them.




B. The water temperature will affect the capacity of ice cubes made. The lower the temperature, the larger quantity of ice cubes produced .

C. The ambient temperature will affect the capacity of ice cubes made. The lower the temperature, the larger quantity of ice cubes produced.

D. Always use good quality water to make sure the pump work well. Bad quality water will cause pump noise, but doesn't effect the unit working.

E. The compressor restart 3mins later if you turn off the unit.

## TROUBLESHOOTING

PROBLEM	POSSIBLE CAUSE	SOLUTION
 is on.	Lack of Water.	Turn off the unit and add water to the <FULL> level, and restart the unit.
 is on.	Too many ice cubes in the basket.	Remove the ice cubes in the basket.
The water reservoir has water, but  is on.	Fault with the solenoid valve.	Check with a qualified technician
<E1> is on	Fault with the ambient temperature sensor.	The unit can still work. Change the sensor.
<E2> is on	Fault with the ambient temperature sensor.	The unit can still work. Change the sensor.
No water in the water Separator pipe	The holes are blocked.	Clean out each hole until the water can flow.
	Water filter is blocked.	Clean the water filter.



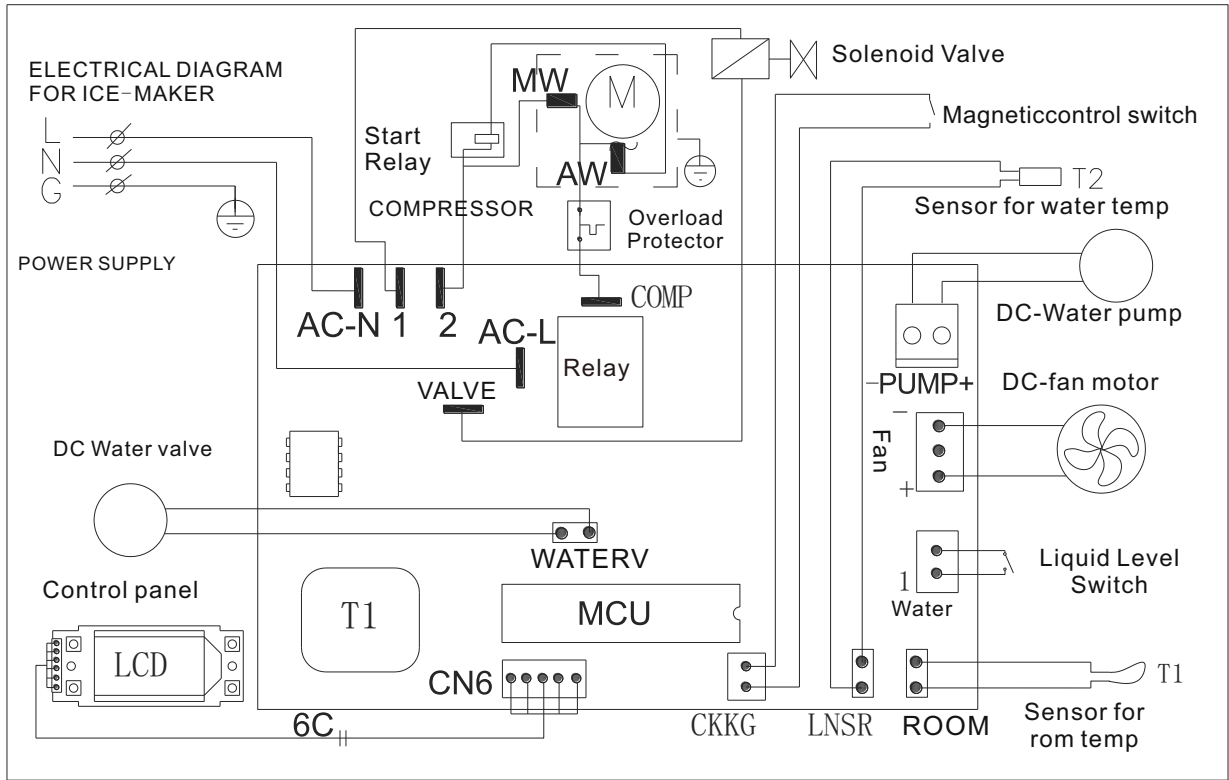
<b>Ice cubes are thick and are stuck in the machine.</b>	Ice making cycle is too long.	Press '-' to decrease the time.
<b>The ice cubes are too thin.</b>	High ambient temperature.	Move the unit to a cooler place.
	High water temperature.	The water temperature should be 25°C (77°F) maximum.
	Ice making cycle is too short.	Press '+' to increase the time.
<b>No ice cubes are being produced.</b>	Ambient or water temperature is too high.	Ensure the ambient temperature is lower than 30°C (86°F). Fill the tank with cold water.
	Refrigerant system has a leakage.	Check with a qualified technician.
	Refrigerant system is blocked.	Check with a qualified technician.

## TECHNICAL PARAMETERS & CIRCUIT DIAGRAM

### TECHNICAL PARAMETERS

Model	800-139
Protection Type	I
Climate Type	SN/N/ST/T
Power	220-240V~50Hz
Ice Making Current	1.1A
Ice Harvest Current	1.3A
Refrigerant	R290/32g
Net Weight	9.5 kg
Vesicant	C <sub>5</sub> H <sub>10</sub>
Enclosure	Plastic

CIRCUIT DIAGRAM



## VORBEREITUNG DER EISMASCHINE FÜR DEN GEBRAUCH

Ihre Sicherheit und die Sicherheit anderer Personen sind sehr wichtig.

Wir haben viele wichtige Sicherheitshinweise im Handbuch und in Ihrem Gerät angegeben. Lesen und befolgen Sie stets alle Sicherheitshinweise.

Dies ist das Symbol für Sicherheitswarnungen: 

Alle Sicherheitshinweise folgen dem Sicherheitswarnsymbol und dem Wort „GEFAHR“ oder „WARNUNG“.

 **GEFAHR**

 **WARNUNG**

Dies kann bedeuten:

Sie können getötet oder schwer verletzt werden, wenn Sie die Anweisungen nicht sofort befolgen.

Alle Sicherheitshinweise informieren Sie über die potenzielle Gefahr und sagen Ihnen, wie Sie das Verletzungsrisiko vermeiden können, und informieren Sie darüber, was passieren kann, wenn die Anweisungen nicht befolgt werden.

Bei der Verwendung von Elektrogeräten sind grundlegende Sicherheitsmaßnahmen zu beachten, um die Gefahr von Brand, Stromschlägen und Verletzungen oder Sachschäden zu verringern. Lesen Sie alle Anweisungen, bevor Sie ein Gerät benutzen.

### WICHTIGE SICHERHEITSTIPPS

- Dieses Gerät kann von Kindern ab 8 Jahren und darüber, sowie von Personen mit verringerten physischen, sensorischen oder mentalen Fähigkeiten oder Mangel an Erfahrung und Wissen benutzt werden, wenn sie beaufsichtigt oder bezüglich des sicheren Gebrauchs des Geräts unterwiesen wurden und die daraus entstehenden Gefahren verstehen.
- Kinder dürfen nicht mit dem Gerät spielen.
- Die Reinigung und Benutzerwartung dürfen nicht von Kindern ohne Aufsicht durchgeführt werden.
- Betreiben Sie dieses oder ein anderes Gerät nicht mit einem beschädigten Kabel.

Wenn das Stromkabel beschädigt ist, muss es durch den Hersteller oder seinen Kundendienst oder eine ähnlich qualifizierte Person ersetzt werden, um eine Gefährdung zu vermeiden.

Diese Eismaschine muss so aufgestellt werden, dass der Stecker zugänglich ist.

Schließen Sie das Gerät nur an ordnungsgemäß gepolte Steckdosen an. Kein anderes Gerät darf an dieselbe Steckdose angeschlossen werden. Achten Sie darauf, dass der Stecker vollständig in die Steckdose eingesteckt ist.

- Verlegen Sie das Stromkabel nicht über Teppichböden oder andere wärmeisolierende Materialien. Decken Sie das Kabel nicht ab. Halten Sie das Kabel von belebten Bereichen fern, und tauchen Sie es nicht in Wasser ein.
- Wir raten von der Verwendung eines Verlängerungskabels ab, da es sich überhitzen und eine Brandgefahr darstellen kann. Wenn Sie ein Verlängerungskabel verwenden müssen, verwenden Sie ein Kabel mit einem Mindestquerschnitt von 0,75 mm<sup>2</sup> und einem Stecker mit mindestens 16 A/250 V~.

- Ziehen Sie den Stecker aus der Steckdose, bevor Sie die Eismaschine reinigen oder Reparaturen und Wartungen durchführen.
- Seien Sie vorsichtig und beaufsichtigen Sie das Gerät auf angemessene Weise, wenn es in der Nähe von Kindern verwendet wird.
- Verwenden Sie Ihre Eismaschine nicht im Freien. Stellen Sie die Eismaschine nicht in direktem Sonnenlicht auf, und achten Sie darauf, dass zwischen der Rückseite des Geräts und der Wand ein Abstand von mindestens 10 cm besteht. Halten Sie auf jeder Seite des Geräts einen Mindestabstand von 10 cm frei.
- Verwenden Sie zur Herstellung von Eiswürfeln keine andere Flüssigkeit als Wasser.
- Reinigen Sie Ihre Eismaschine nicht mit brennbaren Flüssigkeiten. Die Dämpfe können eine Brand- oder Explosionsgefahr darstellen.
- Kippen Sie das Gerät nicht um.
- Wenn die Eismaschine im Winter von draußen hereingebracht wird, lassen Sie sie einige Stunden auf Raumtemperatur aufwärmen, bevor Sie sie anschließen.
- Bewahren Sie keine explosiven Substanzen wie z.B. Aerosol-Dosen mit einem brennbaren Treibmittel in diesem Gerät auf.
- Dieses Gerät muss geerdet sein.
- Dieses Gerät ist für den Gebrauch in Haushalten.



- **Warnung:** Brandgefahr/entzündliche Materialien verwendet. Bitte beachten Sie die örtlichen Vorschriften für die Entsorgung des Geräts aufgrund des brennbaren Treibmittels.
- **WARNUNG:** Halten Sie die Belüftungsöffnungen im Gerätegehäuse oder im Einbauort frei von Hindernissen.
- **WARNUNG:** Beschädigen Sie nicht den Kältemittelkreislauf.
- **WARNUNG:** Verwenden Sie keine mechanischen Vorrichtungen oder andere Mittel zur Beschleunigung des Abtauvorgangs oder der Eisgewinnung, die nicht vom Hersteller empfohlen werden.
- **WARNUNG:** Verwenden Sie keine anderen elektrischen Geräte im Inneren der Eismaschine.

### WICHTIG:

Die Drähte in diesem Stromkabel sind nach folgendem Code gefärbt:

Grün und Gelb:	Erdung
Blau:	Neutral
Braun:	Live

- Um eine Gefährdung durch Instabilität des Geräts zu vermeiden, muss es auf einer ebenen oder flachen Fläche aufgestellt werden.
- Dieses Gerät ist nicht dafür bestimmt, durch Personen (einschließlich Kinder) mit eingeschränkten physischen, sensorischen oder geistigen Fähigkeiten oder mangels Erfahrung und mangels Wissen benutzt zu werden, es sei denn, sie werden durch eine für ihre Sicherheit zuständige Person beaufsichtigt oder erhalten von ihr Anweisungen, wie das Gerät zu benutzen ist.
- Kleinkinder sollten beaufsichtigt werden, um sicherzustellen, dass sie nicht mit dem Gerät spielen.

- Bitte beachten Sie die örtlichen Vorschriften für die Entsorgung des Geräts wegen des entflammaren Kältemittels und des Treibgases. Bevor Sie das Gerät entsorgen, nehmen Sie bitte die Türen ab, um ein Einklemmen von Kindern zu verhindern.

## KENNENLERNEN DES GERÄTS

### 1. Bedienfeld:

#### A. Timer-/Reinigungstaste

Drücken Sie diese Taste einmal kurz, um das Timer-Einstellprogramm aufzurufen; und drücken Sie diese Taste länger als 5 Sekunden, um das Reinigungsprogramm aufzurufen

#### B. EIN/AUS-Taste

Wenn das Gerät ausgeschaltet ist, drücken Sie diese Taste, um das Gerät einzuschalten;

Wenn das Gerät Eiskwürfel herstellt, drücken Sie diese Taste länger als 5 Sekunden, das Gerät schaltet zwangsweise auf Eisgewinnung um.

#### C. LCD-Anzeigefenster

1. Symbol für die Umgebungstemperatur und den Countdown für die Eiskwürfelherstellung: Wenn das Display <M> anzeigt, läuft der Countdown für die Eiskwürfelherstellung, wenn das Display <°C> anzeigt, ist dies die Umgebungstemperatur.

2. Eiskwürfelsymbol: Wenn sich das Symbol dreht, stellt das Gerät Eiskwürfel her, wenn das Symbol blinkt, gewinnt das Gerät Eis.

3. Automatisches Selbstreinigungssymbol zeigt

4. EIN/AUS-Symbol.

5. Fehlercode E1 - Ausfall des Lufttemperatursensors, E2 - Ausfall des Wassertemperatursensors, E- bedeutet eine Anomalie bei der Eiskwürfelherstellung oder ein Kältemittelleck.

6. Warnsymbol für fehlendes Wasser.

7. Warnsymbol Eis voll.

8. Anzeigebereich für die Zeiteinstellung. Wenn <H> angezeigt wird, wird die Zeitschaltuhr EIN/AUS geschaltet, wenn <M> angezeigt wird, wird die Eiskwürfelherstellungszeit eingestellt.

#### D. Eiskwürfelherstellung und Timer verringern.

#### E. Eiskwürfelherstellung und Timer erhöhen.

### 2. Eiskorb

#### 3. Verdampfer

#### 4. Wasserabscheiderrohr

#### 5. Obere Geräteabdeckung

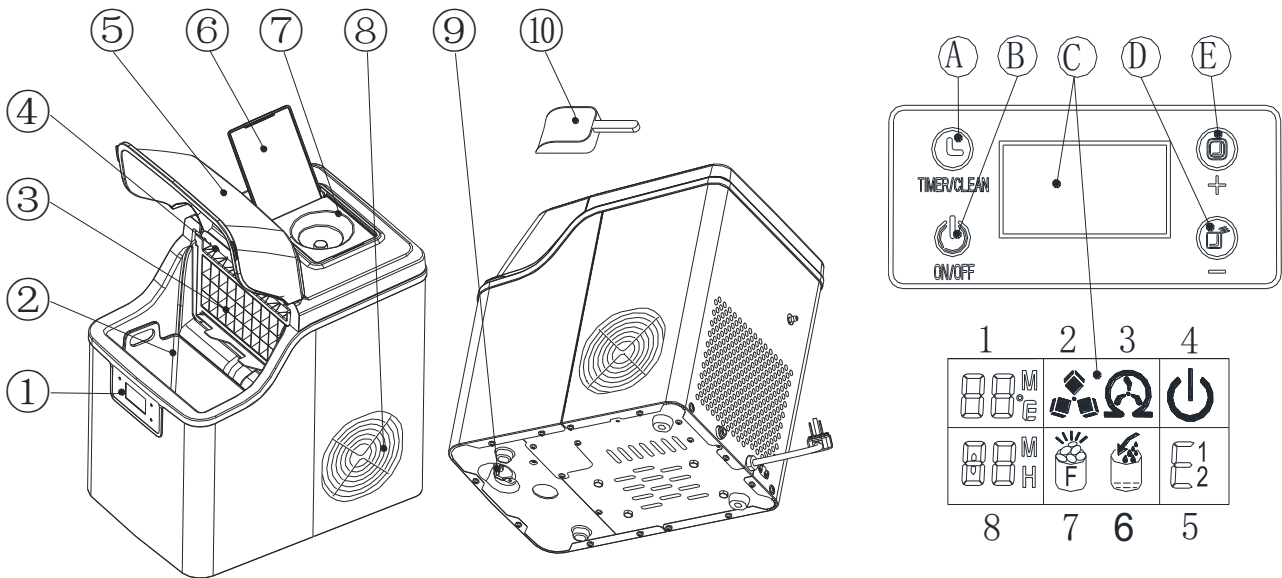
#### 6. Abdeckung für den Wasserbehälter

#### 7. Halterung für die Wasserflasche (Optional, speziell für das Gerät mit Flaschenwasser)

#### 8. Heißluftauslass

#### 9. Wasserablasskappe: Zum Ablassen des Wassers aus dem Gerät

#### 10. Eisportionierer



## BETRIEBSVERFAHREN & WARTUNG

### AUSPACKEN DER EISMASCHINE

1. Entfernen Sie die äußere und innere Verpackung. Überprüfen Sie, ob der Eiskorb und die Eisproportionierer enthalten sind. Sollten Teile fehlen, wenden Sie sich bitte an unseren Kundendienst.
2. Reinigen Sie den Innenraum mit lauwarmem Wasser und einem weichen Tuch. Nehmen Sie den Eiskorb heraus und reinigen Sie ihn.
3. Suchen Sie einen Platz für Ihre Eismaschine, der vor direkter Sonneneinstrahlung und anderen Wärmequellen (z. B. Herd, Ofen, Heizkörper) geschützt ist. Stellen Sie die Eismaschine auf eine ebene Fläche. Vergewissern Sie sich, dass zwischen der Rückseite und den Seiten der Eismaschine und der Wand ein Abstand von mindestens 6 Zoll vorhanden ist.
4. Warten Sie eine Stunde, bis sich die Kühlflüssigkeit gesetzt hat, bevor Sie die Eismaschine einstecken.
5. Das Gerät muss so aufgestellt werden, dass der Stecker zugänglich ist.

**WARNUNG: Füllen Sie das Gerät nur mit Trinkwasser.**

### ⚠ GEFAHR

**\* Bei unsachgemäßer Verwendung des geerdeten Steckers besteht die Gefahr eines Stromschlags. Wenn das Stromkabel beschädigt ist, wenden Sie sich bitte an unseren Kundendienst.**

1. Dieses Gerät sollte zu Ihrer Sicherheit ordnungsgemäß geerdet sein. Das Stromkabel dieses Geräts ist mit einem dreipoligen Stecker ausgestattet, der in normale dreipolige Steckdosen eingesteckt werden kann, um die Gefahr eines Stromschlags zu minimieren.
2. Stecken Sie das Gerät in eine exklusive, ordnungsgemäß installierte und geerdete Wandsteckdose ein. Schneiden oder entfernen Sie unter keinen Umständen den dritten (geerdeten) Pol des Stromkabels. Wenden Sie sich bei Fragen zur Stromversorgung und/oder Erdung an einen zugelassenen Elektriker.
3. Dieses Gerät benötigt eine Standard-Steckdose mit 220-240 Volt, 50 Hz und dreipoliger Erdung.

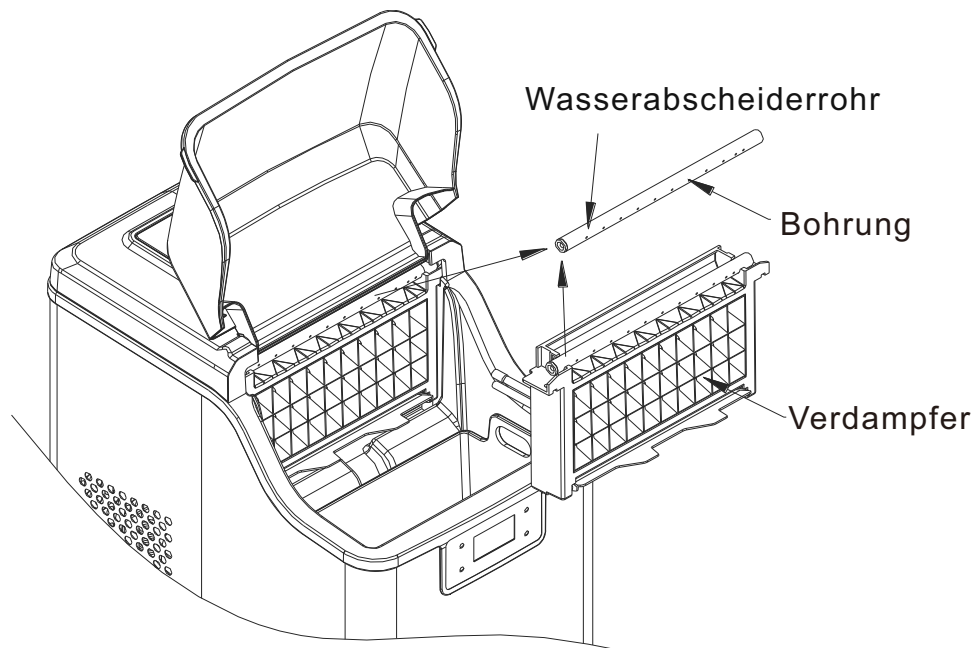
## REINIGUNG UND WARTUNG DER EISMASCHINE

**Bevor Sie Ihre Eismaschine verwenden, sollten Sie sie gründlich reinigen.**

1. Nehmen Sie den Eiskorb heraus.
2. Reinigen Sie das Innere mit verdünntem Spülmittel, warmem Wasser und einem weichen Tuch.
3. Verwenden Sie dann das Wasser, um die Innenteile zu spülen, und lassen Sie das Wasser aus der Ablassöffnung ab, indem Sie den Wasserablassdeckel an der Unterseite abnehmen.
4. Die Außenseite der Eismaschine sollte regelmäßig mit einer milden Spülmittellösung und warmem Wasser gereinigt werden.
5. Trocknen Sie das Innere und Äußere mit einem weichen Tuch ab.
6. Wenn Sie die Eismaschine längere Zeit nicht benutzen, öffnen Sie den Wasserablassdeckel, um das Wasser vollständig aus dem Wasserbehälter abzulassen.

**Reinigen Sie das Gerät regelmäßig. Stellen Sie sicher, dass das Wasserabscheiderrohr und die Filter regelmäßig gereinigt werden.**

1. Wenn das Wasserabscheiderrohr verstopft ist und kein Wasser fließt - Die Pumpe funktioniert noch. Schalten Sie das Gerät aus, nehmen Sie das Rohr heraus und reinigen Sie es, einschließlich jedes Lochs. Bringen Sie das Rohr nach der Reinigung wieder in seine ursprüngliche Position.



2. Reinigen Sie den Wassertank und den großen Behälter mit verdünntem Reinigungsmittel, warmem Wasser und einem weichen Tuch. Verwenden Sie Wasser, um das Innere zu spülen, und entleeren Sie, indem Sie die Ablaufkappe an der Unterseite abziehen, um eine gute Hygiene zu gewährleisten.
3. Wenn beim Reinigen Eiswürfel in der Maschine stecken bleiben, schalten Sie das Gerät ein und starten Sie den Eisbereitungszyklus. Halten Sie die Taste „ON/OFF“ länger als 5 Sekunden gedrückt, um den Eiserntezyklus zu starten. Dadurch werden die Eiswürfel geschmolzen.



## Wie kann man das Wasser aus dem internen Tank und dem großen Wasserbehälter vollständig ablassen?

Da das Wasser im großen Wasserbehälter durch das Wasserventil zum Abfluss gestoppt wird, müssen Sie, wenn Sie das gesamte Wasser ablassen wollen, das Gerät anschließen, aber nicht starten, und dann den Deckel des Abflusses auf der Rückseite entfernen. Warten Sie einige Minuten, bis das Wasser vollständig abgelaufen ist.

## BENUTZUNG IHRER EISMASCHINE

### Bedienfeld und Anzeigebereich





1. Entfernen Sie die Abdeckung des Wasserbehälters und gießen Sie Trinkwasser in den Wasserbehälter.





Achten Sie darauf, dass der Wasserstand unter dem in der folgenden Abbildung dargestellten Höchststand mit der Markierung **FULL** bleibt.



Warnung: Gießen Sie kein Wasser in den internen Wassertank, der sich unter dem Eiskorb befindet. Dieser Tank ist nicht groß genug und beeinträchtigt die Leistung der Eisherstellung.

2. Einschalten des Geräts: Stecken Sie das Gerät ein und das Power <  >-Zeichen blinkt. Die aktuelle Umgebungstemperatur wird in der oberen linken Ecke angezeigt. '80°F' bedeutet beispielsweise 80 Fahrenheit.

Drücken Sie die Taste 'ON/OFF', um das Gerät zu starten, und das Wasser füllt den Tank bis zum Standardwasserstand. Der Kompressor beginnt mit der Herstellung von Eiswürfeln. Das Eiswürfelsymbol <  > rotiert, die Anzeige der Umgebungstemperatur erlischt. Nach einigen Minuten der Eisherstellung wird die blinkende Ziffer im Anzeigebereich der Umgebungstemperatur gezeigt, die blinkende Ziffer „10M“ bedeutet zum Beispiel, dass es 10 Minuten dauert, bis der Eisherstellungsprozess abgeschlossen ist.


3. Wenn die Eismaschinen Eis gewinnt, blinkt das Symbol <  >, das Wasser fließt durch das Magnetventil vom oberen Wasserbehälter zum unteren Wassertank, das Symbol <  > leuchtet, wenn das Wasser im unteren Wassertank voll ist, das Symbol <  > erlischt, dann beginnt der nächste Eisherstellungszyklus von neuem. Wenn kein Wasser im Wasserbehälter ist, leuchtet das Symbol <  > weiterhin.

Schalten Sie das Gerät aus und füllen Sie erneut Wasser ein, dann starten Sie das Gerät neu, um Eiswürfel zu machen. Oder füllen Sie direkt Wasser ein und warten Sie 20 Minuten, dann startet das Gerät neu.

Anmerkung: Der Eisherstellungszyklus dauert etwa 13 bis 25 Minuten, je nach Umgebungstemperatur. Beim ersten Mal dauert die Eisherstellung je nach der anfänglichen Wassertemperatur ein wenig länger. Bei heißen Raumtemperaturen kann die Eisbereitungszeit

stark schwanken, aber sie wird 35 Minuten nicht überschreiten.

Wenn Sie der Meinung sind, dass die Eiswürfel nicht dick genug sind, drücken Sie während der Eisherstellung die Tasten <+> und <->, um die Vorlaufzeit der Eisherstellung einzustellen. Drücken Sie einmal, und der Eisherstellungszyklus wird um eine Minute verkürzt, maximal um 6 Minuten. Dies beginnt mit einem neuen Zyklus.

4. Wenn das Symbol für Eis voll  leuchtet, schaltet sich das Gerät ab, nehmen Sie den Eiswürfel heraus und das Gerät beginnt wieder zu arbeiten.


Wenn Sie die Taste <EIN/AUS> länger als 5 Sekunden drücken, wenn die Eismaschine in Betrieb ist, beginnt das Gerät mit der Gewinnung. Drücken Sie die Taste <EIN/AUS>, und das Gerät schaltet sich aus.

Timer-Einstellung: Gerät auf Timer-Einstellung. Wenn das Gerät in Betrieb ist, schaltet die Timer-Einstellung das Gerät aus. Timer-Einstellung: Wenn das Gerät ausgeschaltet ist, schaltet der Timer das Gerät ein.

Drücken Sie die Taste <TIMER>, auf der Anzeige erscheint <1H>, und drücken Sie dann <+> und <->, um die Zeit einzustellen. Während der Einstellung blinkt das H, nach 5 Sekunden leuchtet das H stetig und das Gerät befindet sich in der Timer-Einstellung.

5. Wasserablass: Nehmen Sie die Wasserablasskappe an der Unterseite des Geräts ab, dann lassen Sie das Wasser im Inneren ab. Es ist besser, das Wasser alle 24 Stunden zu wechseln und das Gerät alle 3 Tage zu reinigen.

## Automatisches Selbstreinigungsprogramm

Starten Sie das Selbstreinigungsprogramm: Schalten Sie das Gerät ein, drücken Sie die Taste „TIMER/REINIGUNG“ auf dem Bedienfeld für mehr als 5 Sekunden, um das Selbstreinigungsprogramm aufzurufen, es dauert 20 Minuten. Das Symbol  rotiert auf der Anzeige, die Zeit zählt 20 Minuten ab.

Abbrechen des Selbstreinigungsprogramms: Die Dauer eines Selbstreinigungsprogramms beträgt etwa 20 Minuten. Wenn das Programm beendet ist, schaltet sich das System automatisch aus. Sie können auch die Taste „EIN/AUS“ auf dem Bedienfeld drücken, um das Selbstreinigungsprogramm zwangsweise abzubrechen.

### Warnung

- A. Stellen Sie sicher, dass der Wassertank, der Wasserfilter und das Wasserabscheiderrohr nicht verstopft sind und reinigen Sie sie
- B. Die Wassertemperatur wirkt sich auf die Eisherstellungskapazität aus; je niedriger die Temperatur, desto mehr Eiswürfel werden produziert.
- C. Je kühler die Umgebungstemperatur ist, desto mehr Eiswürfel werden produziert.
- D. Verwenden Sie immer Wasser von guter Qualität, um sicherzustellen, dass die Pumpe gut funktioniert. Schlechte Wasserqualität verursacht Pumpengeräusche, beeinträchtigt aber nicht den Betrieb des Geräts.
- E. Der Kompressor startet 3 Minuten später neu, wenn Sie das Gerät ausschalten.

## FEHLERSUCHE

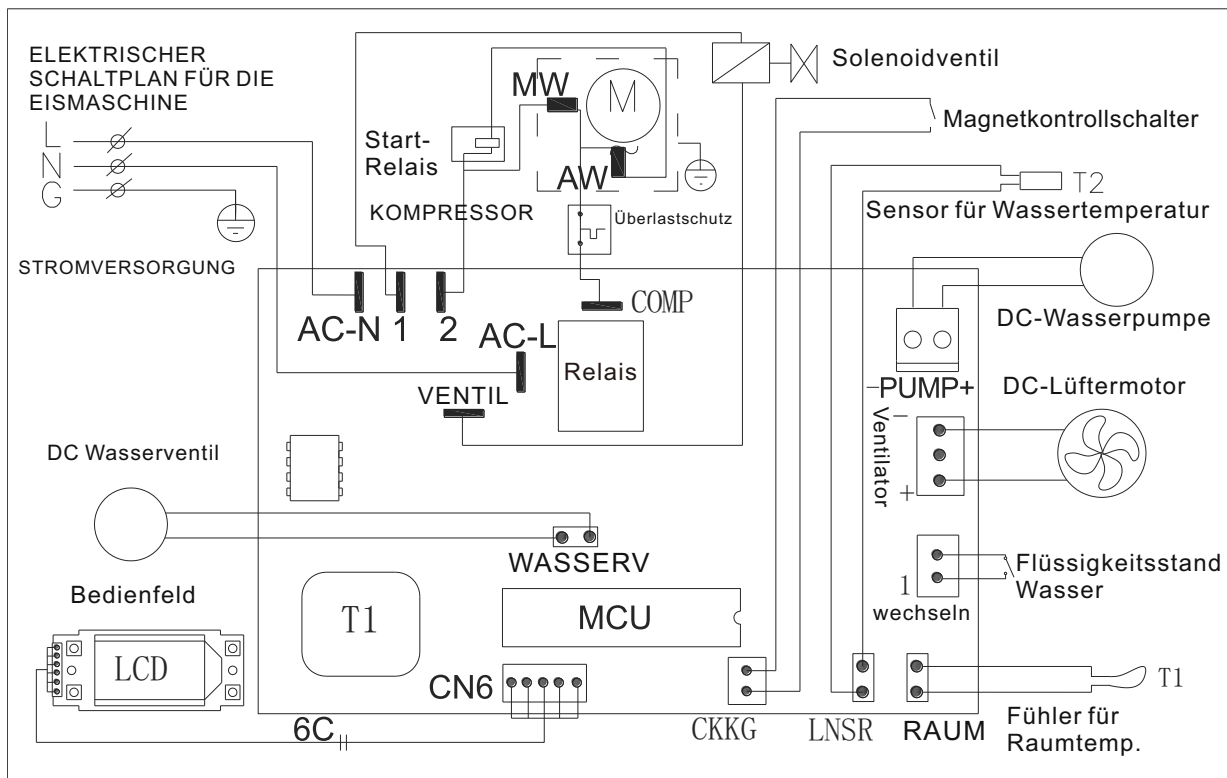
Problem	Mögliche Ursache	Lösung
<  > ist eingeschaltet	Wassermangel	Schalten Sie das Gerät aus und füllen Sie Wasser bis zum Füllstand <VOLL> ein, dann starten Sie das Gerät erneut.
<  > ist eingeschaltet	Zu viele Eiswürfel im Korb	Entfernen Sie die Eiswürfel aus dem Korb
Der Wasserbehälter enthält Wasser, aber <  > ist eingeschaltet	Das Einlassmagnetventil ist defekt	Der technische Kundendienst muss das Gerät warten.
<E1> ist eingeschaltet	Ausfall des Umgebungstemperatursensors	Das Gerät kann noch funktionieren, ersetzen Sie ihn durch einen neuen Sensor
<E2> ist eingeschaltet	Ausfall des Wassertemperatursensors	Das Gerät kann noch funktionieren, ersetzen Sie ihn durch einen neuen Sensor
Kein Wasser im Wasserabscheiderrohr	Die Löcher sind verstopft	Stechen Sie mit einem dünnen Draht in jedes Loch, bis das Wasser leicht abfließen kann.
	Wasserfilter verstopft	Reinigen Sie den Wasserfilter
Eiswürfel sind dick und können nicht herunterfallen	Der Eisherstellungszyklus ist zu lang	Drücken Sie <->, um die Eisherstellungszeit zu verringern.
Eiswürfel dünn	Umgebungstemperatur zu hoch	Stellen Sie das Gerät an einen kühlen Ort
	Wassertemperatur zu hoch	Die Wassertemperatur sollte nicht mehr als 25 °C (77 °F) betragen.
	Eisherstellung zu kurz	Drücken Sie <+>, um die Eisherstellungszeit zu erhöhen.
Gerät funktioniert, aber kein Eiswürfel	Die Umgebungstemperatur ist zu hoch oder die Wassertemperatur ist zu hoch	Stellen Sie das Gerät an einen anderen Ort Temperatur niedriger als 30 °C (86 °F), kühles Wasser einfüllen.
	Kältemittelsystem leckt	Der technische Kundendienst muss das Gerät warten.
	Blockierung des Kühlsystems	Der technische Kundendienst muss das Gerät warten.

# TECHNISCHE PARAMETER & SCHALTPLAN

## TECHNISCHE PARAMETER

Modell	800-139
Schutzart	I
Klima-Typ	SN/N/ST/T
Leistung	220-240V~50Hz
Strom für die Eisherstellung	1.1A
Strom für Eisgewinnung	1.3A
Kältemittel	R290/32g
Netto Gewicht	9.5 kg
Vesicant	C <sub>5</sub> H <sub>10</sub>
Fangzaun	Kunststoff

## SCHALTPLAN



## PREPARARE LA MACCHINA DEL GHIACCIO PER L'USO

La vostra sicurezza e quella degli altri sono molto importanti.

Nel manuale e sull'apparecchio sono presenti molti importanti messaggi sulla sicurezza. Leggere e seguire sempre tutte le precauzioni.

Questo è il simbolo di avviso di sicurezza: 

Tutti i messaggi di sicurezza seguiranno il simbolo di avviso di sicurezza e la parola "PERICOLO" o "AVVERTENZA".

 **PERICOLO**

 **AVVERTENZA**

Queste parole significano:

**Potreste morire o essere feriti gravemente se non seguite immediatamente le istruzioni.**

Tutti i messaggi di sicurezza riporteranno qual è il potenziale pericolo, indicheranno come ridurre la possibilità di incorrere lesioni personali e indicheranno cosa può succedere se le istruzioni non vengono seguite.

Quando si utilizzano apparecchi elettrici, è necessario seguire le precauzioni di sicurezza di base per ridurre il rischio di incendi, scosse elettriche e lesioni a persone o cose. Leggere tutte le istruzioni prima di utilizzare un qualsiasi apparecchio elettrico.

### IMPORTANTI CONSIGLI SULLA SICUREZZA

- Questo apparecchio può essere utilizzato da bambini di età pari o superiore a 8 anni e da persone con capacità fisiche, sensoriali o mentali ridotte o prive di esperienza e conoscenza tecnica, se sono stati supervisionati o istruiti sull'uso dell'apparecchio in modo sicuro e hanno ne comprendono i pericoli.
- I bambini non devono giocare con l'apparecchio.
- La pulizia e la manutenzione non devono essere eseguite da bambini senza diretta supervisione.
- Non mettere in funzione questo o altri apparecchi con il cavo di alimentazione danneggiato. Se il cavo di alimentazione è danneggiato, deve essere sostituito dal produttore o dal suo agente di servizio o da personale qualificato per evitare pericoli. Questa macchina del ghiaccio deve essere posizionata in modo che la spina sia facilmente accessibile. Collegare solo a prese di corrente correttamente polarizzate. Nessun altro apparecchio deve essere collegato alla stessa presa. Assicurarsi che la spina sia completamente inserita nella presa
- Non far passare il cavo di alimentazione su moquette o altri materiali isolanti termici. Non coprire il cavo. Tenere il cavo lontano dalle aree trafficate e non immergerlo in acqua.
- Si sconsiglia l'uso di una prolunga, poiché potrebbe surriscaldarsi e risultare in un incendio. Se è necessario utilizzare una prolunga, utilizzarne una con la dimensione minima n. 0,75mm<sup>2</sup> e una potenza nominale non inferiore a 16A/250V~ con spina.
- Scollegare la macchina del ghiaccio dalla corrente prima di pulirla o effettuare qualsiasi riparazione o manutenzione.

- Fare attenzione e prestare un'attenta supervisione quando l'apparecchio viene utilizzato vicino a bambini.
- Non utilizzare la macchina del ghiaccio all'esterno. Posizionarla lontano dalla luce solare diretta e assicurarsi che ci siano almeno 10 cm di spazio tra il retro dell'unità e la parete. Mantenere una distanza minima di 10 cm su ciascun lato attorno all'unità.
- Non usare altri liquidi oltre all'acqua per fare il ghiaccio.
- Non pulire la macchina del ghiaccio con liquidi infiammabili. I fumi possono comportare un incendio o un'esplosione.
- Non capovolgere.
- Se la macchina del ghiaccio viene conservata all'esterno in inverno, attendere alcune ore affinché si riscaldi a temperatura ambiente prima di collegarla alla corrente.
- Non conservare sostanze esplosive come bombolette spray con propellente infiammabile dentro questo apparecchio.
- Questo apparecchio deve essere collegato a terra.
- Questo apparecchio è destinato all'uso in ambienti domestici.



- **Avvertenza:** rischio di incendio/vengono utilizzati materiali infiammabili. Si prega di attenersi alle normative locali relative allo smaltimento dell'apparecchio per il suo gas infiammabile.
- **ATTENZIONE:** Tenere le prese di ventilazione, nell'alloggiamento dell'apparecchio o nella struttura incorporata, libere da ostruzioni.
- **ATTENZIONE:** Non danneggiare il circuito refrigerante.
- **ATTENZIONE:** Non utilizzare dispositivi meccanici o altri mezzi per accelerare il processo di sbrinamento o il processo di raccolta del ghiaccio diversi da quelli consigliati dal produttore.
- **ATTENZIONE:** Non utilizzare altri apparecchi elettrici all'interno della macchina del ghiaccio.

#### **IMPORTANTE:**

I fili in questo cavo di alimentazione sono colorati secondo la seguente codifica:

Verde e giallo:	collegamento a terra
Blu:	neutro
Marrone:	corrente

- Per evitare i pericoli dovuti all'instabilità dell'apparecchio, esso deve essere posizionato su una superficie in piano.
- Questo apparecchio non è destinato all'uso da parte di persone (bambini compresi) con capacità fisiche, sensoriali o mentali ridotte o prive di esperienza e conoscenza tecnica, a meno che non siano state supervisionate o istruite sull'uso dell'apparecchio da una persona responsabile della loro sicurezza.
- I bambini piccoli devono essere sorvegliati per assicurarsi che non giochino con l'unità.
- Si prega di attenersi alle normative locali in materia di smaltimento di apparecchi elettrici per il refrigerante infiammabile e gas di scarico. Prima di smaltire l'apparecchio, rimuovere lo sportello per evitare che i bambini rimangano intrappolati.

## ACQUISIRE FAMILIARITA' CON L'UNITA'

1. Pannello di controllo:

A. Pulsante timer/pulizia

Premere rapidamente questo pulsante una volta per entrare nel programma di impostazione del timer; tenere premuto questo pulsante per più di 5 secondi per accedere al programma di pulizia.

B. Pulsante ON/OFF

Quando l'unità è spenta, premere questo pulsante per accenderla;

Quando l'unità sta preparando i cubetti di ghiaccio, tenere premuto questo pulsante per più di 5 secondi, l'unità passerà al processo di raccolta forzata del ghiaccio.

C. Schermata del display LCD

1. Simbolo conto alla rovescia temperatura ambiente e produzione ghiaccio: quando il display mostra <M>, il conto alla rovescia produzione ghiaccio inizierà, e quando il display mostra <°C>, significa che quella è la temperatura ambiente.

2. Simbolo del tipo di cubetti di ghiaccio: quando il simbolo ruota, l'unità sta producendo cubetti di ghiaccio, quando il simbolo lampeggia, l'unità sta raccogliendo il ghiaccio.

3. Simbolo del programma di pulizia automatica.

4. Simbolo ON/OFF.

5. Codice errore E1-Guasto sensore temperatura ambiente. E2- Guasto sensore temperatura acqua. E- Indica un'anomalia nella produzione del ghiaccio o una perdita di liquido refrigerante.

6. Simbolo di avvertimento in caso di mancanza di acqua.

7. Simbolo di avvertimento quando la macchina è piena di ghiaccio.

8 Area di visualizzazione dell'impostazione dell'ora. Quando viene mostrato <H>, il timer dell'unità è ON/OFF, quando viene mostrato <M>, indica l'impostazione del tempo di produzione del ghiaccio.

D. La produzione di ghiaccio e il timer si riducono.

E. Produzione di ghiaccio e incremento del timer.

2. Cestello del ghiaccio

3. Evaporatore

4. Tubo separatore d'acqua

5. Coperchio superiore dell'unità

6. Coperchio del serbatoio dell'acqua

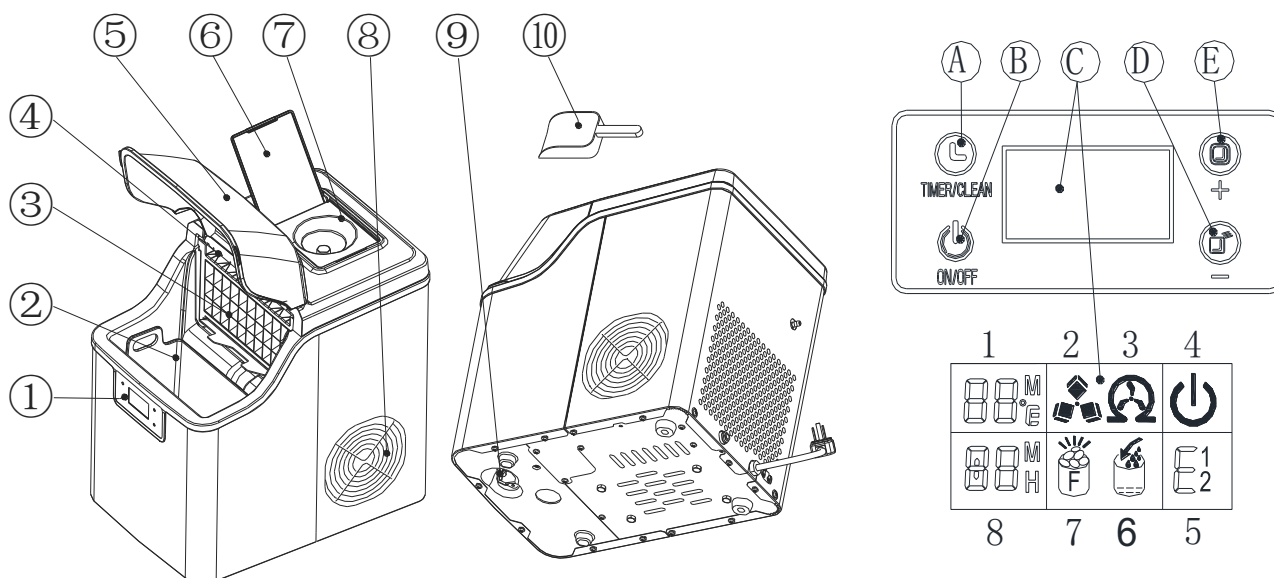
7. Supporto porta bottiglia d'acqua (opzionale, speciale per l'unità fornita di acqua in bottiglia)

8. Presa d'uscita di aria calda

9. Tappo di drenaggio dell'acqua: per drenare l'acqua dall'unità.

10. Spatola per il ghiaccio.





## PROCEDURE D'USO & MANUTENZIONE

### DISIMBALLARE LA MACCHINA DEL GHIACCIO

1. Rimuovere l'imballaggio esterno e interno. Controllare che il cestello del ghiaccio e la spatola per il ghiaccio siano inclusi all'interno. Se mancano delle parti, contattare il nostro servizio assistenza clienti.
2. Pulire l'interno con acqua tiepida e un panno morbido. Estrarre fuori il cestello del ghiaccio e pulirlo.
3. Individuare un luogo per la macchina del ghiaccio che sia protetto dalla luce solare diretta e da altre fonti di calore (ad es.: stufa, forno, radiatore). Posizionare la macchina del ghiaccio su una superficie piana. Lasciare almeno 6 pollici di spazio libero tra il retro e i lati della macchina del ghiaccio e la parete.
4. Attendere un'ora affinché il fluido refrigerante si stabilizzi prima di collegare la macchina del ghiaccio.
5. L'unità deve essere posizionata in modo che la spina sia facilmente accessibile.

**ATTENZIONE: riempire solo con acqua potabile.**

### ⚠ PERICOLO

**\*L'uso improprio della spina con collegamento a terra può comportare il rischio di scosse elettriche. Se il cavo di alimentazione è danneggiato, contattare il nostro servizio assistenza clienti.**

1. Questa unità deve essere adeguatamente collegata a terra per garantire la vostra sicurezza. Il cavo di alimentazione di questo apparecchio è dotato di una spina di collegamento a terra a tre poli che si accoppia con le normali prese di corrente a parete con collegamento a terra per ridurre al minimo la possibilità di incorrere in scosse elettriche.
2. Collegare l'apparecchio a una presa di corrente a parete esclusiva, correttamente installata e dotata di collegamento a terra. Non danneggiare in nessun caso il terzo polo di collegamento a terra della spina. Qualsiasi domanda relativa all'alimentazione e/o al collegamento a terra deve essere rivolta a un elettricista certificato.
3. Questo apparecchio richiede una presa elettrica standard da 220-240 Volt, 50 Hz con un adeguato collegamento a terra.

## PULIZIA E MANUTENZIONE DELLA MACCHINA DEL GHIACCIO

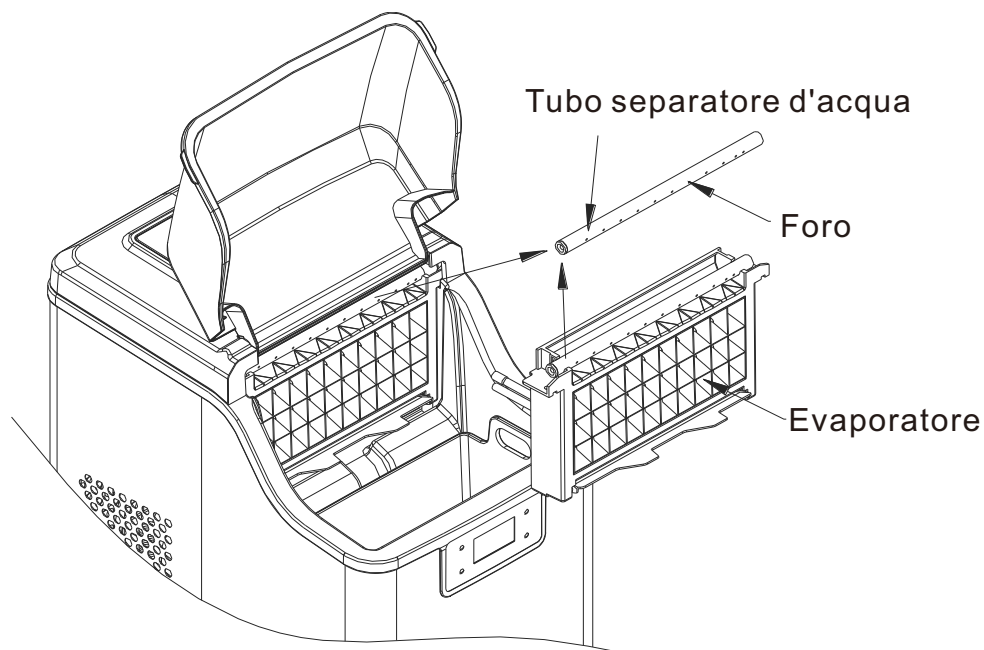
**Prima di utilizzare la macchina del ghiaccio, si consiglia vivamente di pulirla con cura.**

1. Estrarre il cestello del ghiaccio.
2. Pulire l'interno con un detersivo diluito, dell'acqua tiepida e un panno morbido.
3. Sciacquare con acqua le parti interne e drenare l'acqua scollegando il tappo di scarico sul lato inferiore.
4. L'esterno della macchina del ghiaccio deve essere pulito regolarmente con una soluzione detergente delicata e acqua calda.
5. Asciugare l'interno e l'esterno passando un panno morbido.
6. Quando la macchina non viene utilizzata a lungo, aprire il tappo di scarico dell'acqua per drenare completamente l'acqua dal serbatoio.

Dopo aver utilizzato a lungo la macchina del ghiaccio, consigliamo di pulire l'unità.

**Soprattutto, è necessario pulire periodicamente il tubo del separatore d'acqua e i filtri dell'acqua.**

1. Se il tubo del separatore d'acqua è ostruito e l'acqua non scorre verso il basso quando invece sia il compressore che la pompa dell'acqua all'interno della macchina funzionano correttamente, spegnere prima l'unità e smontare questo tubo e pulirlo. Pulire ogni foro del tubo come mostrato nella figura seguente. Dopo la pulizia, rimontare il tubo del separatore d'acqua e assicurarsi che l'estremità destra del tubo si colleghi bene al tubo in silicone come era inizialmente.



2. Sia il serbatoio dell'acqua piccolo che quello grande devono essere puliti con detersivo diluito, acqua calda e un panno morbido. Quindi, sciacquare con l'acqua l'interno e drenare l'acqua scollegando il tappo di drenaggio dell'acqua sul fondo. Questa operazione aiuterà a mantenere l'unità e i cubetti di ghiaccio più igienici e anche a far funzionare normalmente l'unità.
3. Durante la pulizia, se si rileva che i cubetti di ghiaccio sono rimasti sull'evaporatore e non possono essere estratti facilmente, è possibile accendere l'unità per entrare nel ciclo di produzione del ghiaccio, quindi tenere premuto il pulsante "ON/OFF" per più di 5 secondi per consentire all'unità di avviare il processo di raccolta del ghiaccio per sciogliere i cubetti rimasti attaccati. Questa operazione aiuterà a rimuovere i cubetti di ghiaccio duro.

## Come scaricare completamente l'acqua dal serbatoio interno e dal serbatoio grande.

Poiché l'acqua nel serbatoio dell'acqua grande viene drenata dalla valvola di drenaggio dell'acqua, se si desidera scaricare tutta l'acqua, collegare l'unità alla corrente ma non accenderla, quindi rimuovere il tappo della porta di scarico sul fondo. Aspettare qualche minuto, tutta l'acqua fuoriuscirà.

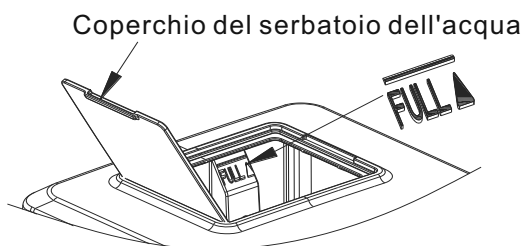
## USARE LA MACCHINA DEL GHIACCIO

Pannello di controllo e area display



1. Rimuovere il coperchio del serbatoio dell'acqua e versare acqua potabile all'interno.

Assicurarsi di mantenere il livello dell'acqua al di sotto del massimo. L'indicatore **FULL** viene mostrato nell'immagine seguente.



**Avvertenza:** Non versare l'acqua nel serbatoio interno situato sotto il cestello del ghiaccio. Questo serbatoio non è abbastanza grande e ciò influirà sulle prestazioni di produzione del ghiaccio.

Come accendere l'unità: collegare l'unità, il simbolo di alimentazione elettrica <⏻> inizierà a lampeggiare e la temperatura ambiente attuale verrà visualizzata nell'angolo in alto a sinistra del display, ad esempio, "80F" significa che la temperatura ambiente è di 80 gradi Fahrenheit.


Premere nuovamente il pulsante "ON/OFF" per avviare l'unità, all'inizio l'acqua scorrerà nel serbatoio dell'acqua fino al livello standard dell'acqua, quindi il compressore inizierà a funzionare per produrre cubetti di ghiaccio, il simbolo del ghiaccio <❄️> inizierà a ruotare, mentre il display della temperatura ambiente scomparirà. Dopo alcuni minuti di produzione del ghiaccio, una cifra lampeggerà nell'area di visualizzazione della temperatura ambiente, ad esempio, la cifra lampeggiante "10M" significa che ci vorranno 10 minuti per completare questo ciclo di produzione del ghiaccio.

3. Quando la macchina inizia a raccogliere il ghiaccio, il simbolo <❄️> lampeggerà, l'acqua scorrerà dal serbatoio dell'acqua superiore al serbatoio dell'acqua inferiore attraverso l'elettrovalvola, il simbolo <🚰> sarà acceso fisso, quando l'acqua nel serbatoio inferiore è piena, il simbolo <🚰> si spegnerà, quindi ricomincerà il ciclo di produzione del ghiaccio successivo. Quando non c'è acqua nel serbatoio dell'acqua, il simbolo <🚰> rimarrà acceso.

Spegnere l'unità e riempire nuovamente con acqua, quindi riavviare l'unità per produrre altri cubetti di ghiaccio. Oppure riempire direttamente l'acqua e attendere 20 minuti, l'unità si riavvierà automaticamente.

Nota: il ciclo di produzione del ghiaccio dura da 13 a 25 minuti, a seconda della temperatura ambiente. Durante il primo ciclo, in base alla temperatura dell'acqua iniziale, la produzione del ghiaccio durerà più a lungo. In caso di temperatura ambiente estremamente calda, il tempo di produzione del ghiaccio potrebbe variare molto, ma non supererà i 35 minuti.

Se ritenete che i cubetti di ghiaccio non siano abbastanza spessi, durante la produzione del ghiaccio potete premere i pulsanti <+> e <-> per modificare il tempo di preparazione del ghiaccio. Premere il tasto una volta aumenterà o diminuirà il ciclo di produzione di un minuto, per un massimo di 6 minuti. Questa impostazione è valida solo dal nuovo ciclo.

4. Quando il simbolo Ghiaccio Pieno  è acceso, l'unità si arresterà, quindi estrarre i cubetti di ghiaccio all'interno, infine l'unità riprenderà a funzionare.


Se si tiene premuto il pulsante <ON/OFF> per più di 5s, quando la macchina del ghiaccio è in funzione, l'unità inizierà il ciclo di raccolta. Premendo il pulsante <ON/OFF>, l'unità si spegne.

Impostazione del timer. Impostare il timer quando l'unità è in funzione farà in modo che l'unità si spenga. Impostare il timer quando l'unità è spenta farà in modo che l'unità si accenda.

Premere il pulsante <TIMER>, il display mostrerà <1H>, quindi premere <+> e <-> per impostare il tempo. Durante l'impostazione, la H lampeggerà, dopo 5 secondi la H rimarrà accesa e l'unità si accenderà.

5. Drenaggio dell'acqua: rimuovere il tappo di scarico dell'acqua sul fondo dell'unità, quindi drenare l'acqua all'interno. È consigliabile di cambiare l'acqua ogni 24 ore e di pulire l'unità ogni 3 giorni.

## Programma di Autolavaggio Automatico

Avviare il programma di autolavaggio: collegare l'unità alla corrente, tenere premuto il pulsante "TIMER/PULIZIA" sul pannello di controllo per più di 5 secondi per entrare nel programma di autolavaggio, il quale necessita di 20 minuti. Il simbolo  inizierà a ruotare sul display, visualizzazione dell'area del conto alla rovescia del tempo 20M.

Annullare il programma di autolavaggio: sono necessari circa 20 minuti per completare un ciclo di autolavaggio. Al termine del programma, il sistema sarà automaticamente in stato OFF. Inoltre, è possibile premere il pulsante "ON/OFF" sul pannello di controllo per forzare l'annullamento del programma di autolavaggio.

### Avvertenza

A、assicurarsi che il serbatoio dell'acqua, il filtro dell'acqua e il tubo del separatore d'acqua non siano ostruiti, e in tal caso pulirli.

B、La temperatura dell'acqua influirà sulla capacità di produzione del ghiaccio. Più bassa è la temperatura, più cubetti di ghiaccio verranno prodotti.

C、Più la temperatura ambiente è bassa, più cubetti di ghiaccio verranno prodotti.

D、Più la temperatura ambiente è bassa, più cubetti di ghiaccio verranno prodotti.

Usare sempre acqua di buona qualità per assicurarsi che la pompa funzioni al meglio. L'acqua di qualità inottimale causerà un rumore alla pompa, ma non influirà sul funzionamento dell'unità.

E、Il compressore si riavvia dopo 3 minuti se si spegne l'unità.

## RISOLUZIONE PROBLEMI

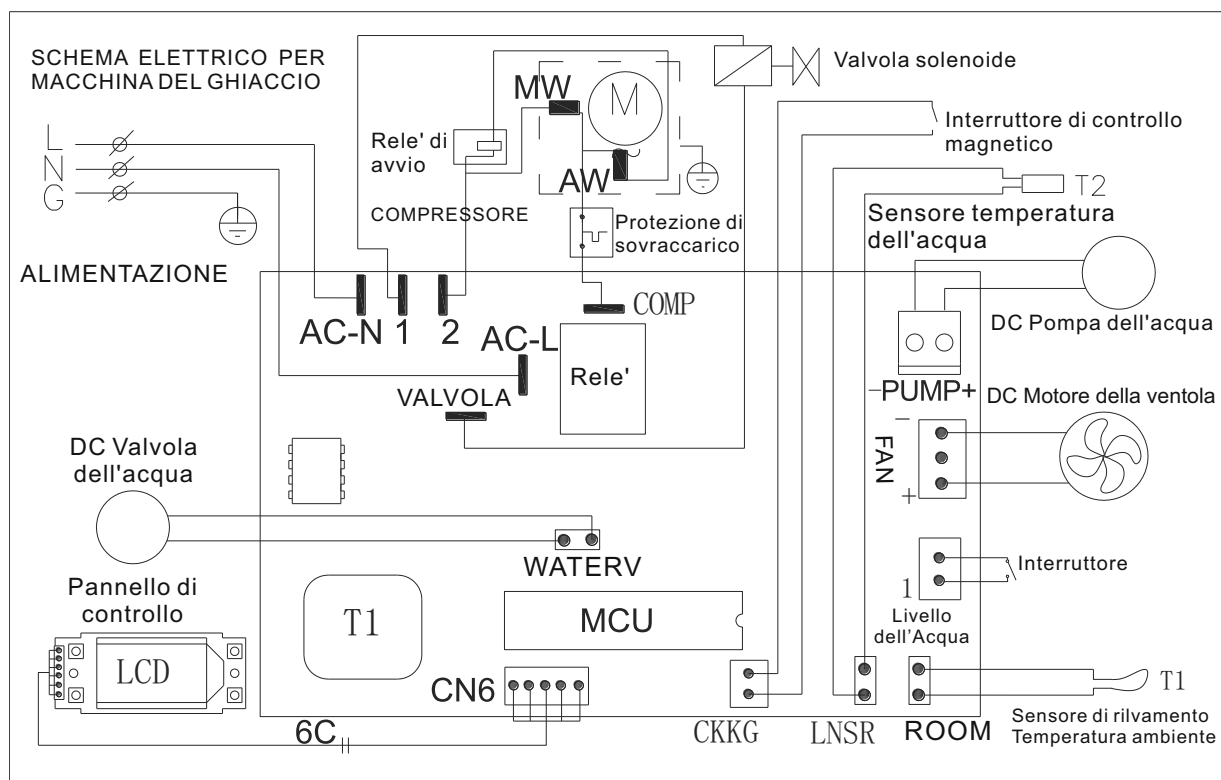
PROBLEMA	POSSIBILE CAUSA	SOLUZIONE
<  > è acceso	Manca acqua	Spegnere l'unità e aggiungere acqua fino al livello <FULL>, quindi riavviare l'unità.
<  > è acceso	Troppi cubetti di ghiaccio nel cestello	Rimuovere i cubetti di ghiaccio dal cestello.
C'è acqua nel serbatoio, ma <  > è acceso	Guasto dell'elettrovalvola di aspirazione	È necessaria la manutenzione di un tecnico qualificato.
<E1> è acceso	Guasto del sensore di rilevamento della temperatura ambiente	L'unità può ancora funzionare, sostituire con un sensore nuovo
<E2> è acceso	Guasto del sensore di rilevamento della temperatura dell'acqua	L'unità può ancora funzionare, sostituire con un sensore nuovo
Manca acqua nel tubo separatore d'acqua	Fori ostruiti	Far passare un filo sottile attraverso ogni foro, finché l'acqua non riesce a defluire facilmente.
	Filtro dell'acqua ostruito	Pulire il filtro dell'acqua
Cubetti di ghiaccio spessi che non si staccano	Ciclo di produzione del ghiaccio troppo lungo	Premere <-> per ridurre la durata del ciclo di produzione del ghiaccio.
Cubetti di ghiaccio sottili	Temperatura ambiente troppo alta	Spostare l'unità in un luogo fresco.
	Temperatura dell'acqua troppo alta	La temperatura dell'acqua non dovrebbe essere più di 25°C (77°F) .
	Ciclo di produzione del ghiaccio troppo corto	Premere <+> per aumentare la durata del ciclo di produzione del ghiaccio.
L'unità funziona ma non produce cubetti di ghiaccio	Temperatura ambiente o dell'acqua troppo alte	Spostare l'unità in un luogo la cui temperatura ambiente è inferiore a 30 °C (86 °F), e riempire con acqua fredda.
	Perdita nel sistema di refrigerazione	È necessaria la manutenzione di un tecnico qualificato.
	Ostruzione nel sistema di refrigerazione	È necessaria la manutenzione di un tecnico qualificato.

## PARAMETRI TECNICI & DIAGRAMMA DI CIRCUITO

### PARAMETRI TECNICI

Modello	800-139
Tipo di protezione	I
Tipo di climatizzazione	SN/N/ST/T
Alimentazione	220-240V~50Hz
Corrente per la produzione di ghiaccio	1.1A
Corrente per la raccolta di ghiaccio	1.3A
Refrigerante	R290/32g
Peso netto	9.5 kg
Vescicante	C <sub>5</sub> H <sub>10</sub>
Alloggiamento	Plastica

### DIAGRAMMA DI CIRCUITO



IMPORTER ADDRESS:  
MH STAR UK LTD  
Unit 27, Perivale Park,  
Horsenden lane South  
Perivale, UB6 7RH  
MADE IN CHINA

ADRESSE DES IMPORTEURE:  
MH Handel GmbH  
Wendenstraße 309  
D-20537 Hamburg  
Germany  
IN CHINA HERGESTELLT

IMPORTATO DA:  
AOSOM Italy srl  
Centro Direzionale Milanofiori  
Strada 1 Palazzo F1  
20057 Assago (MI)  
P.I.: 08567220960  
FATTO IN CINA