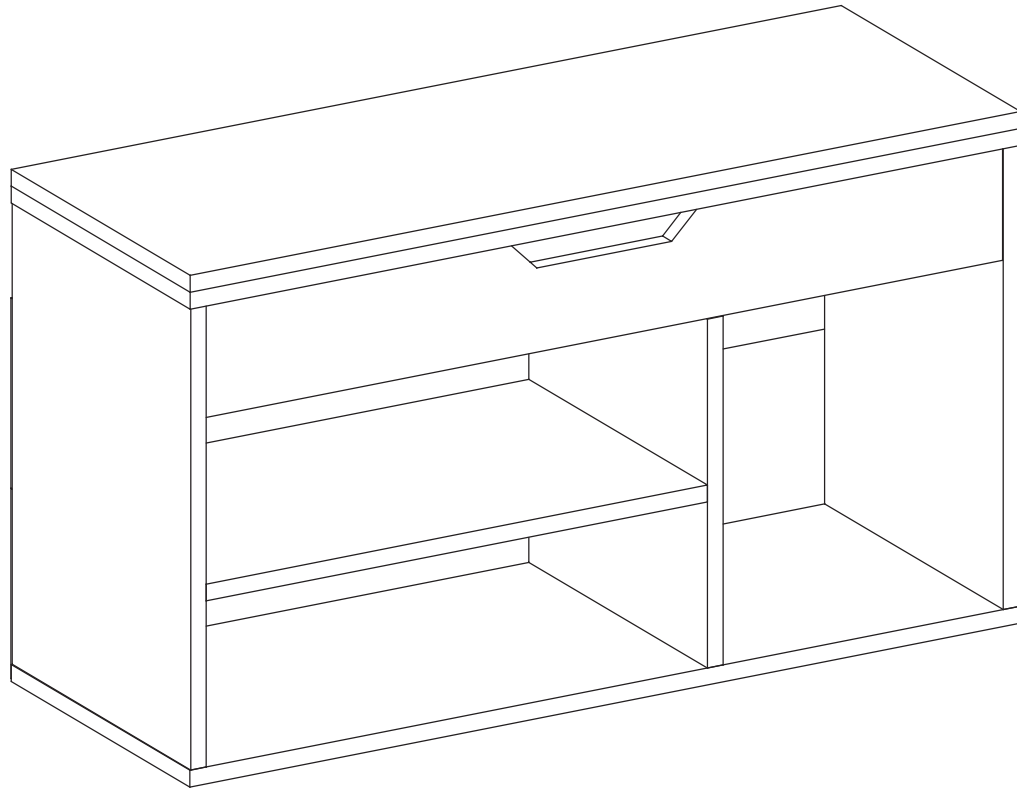


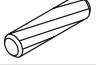







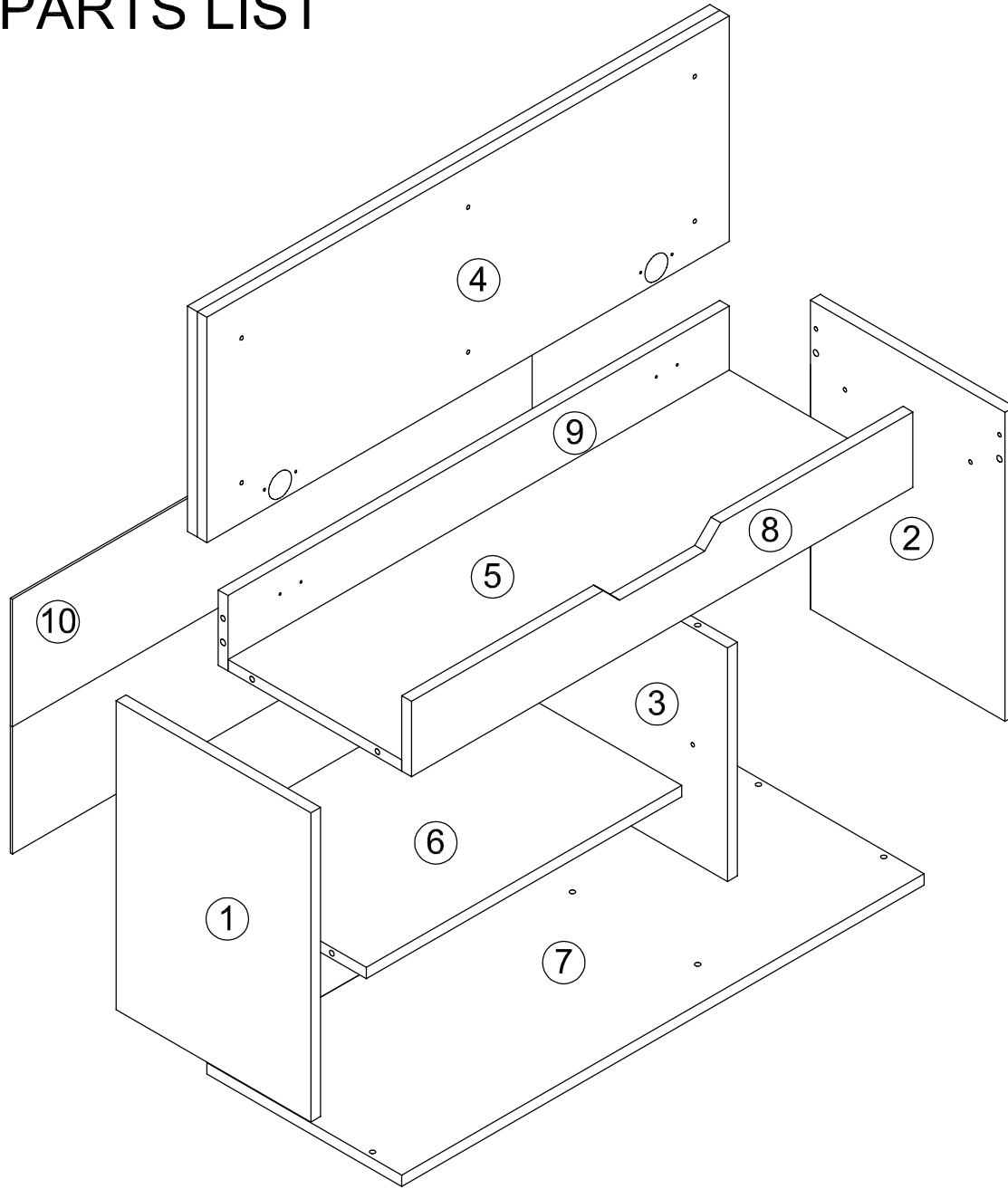


Assembly Instruction



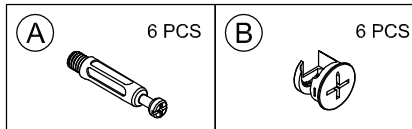
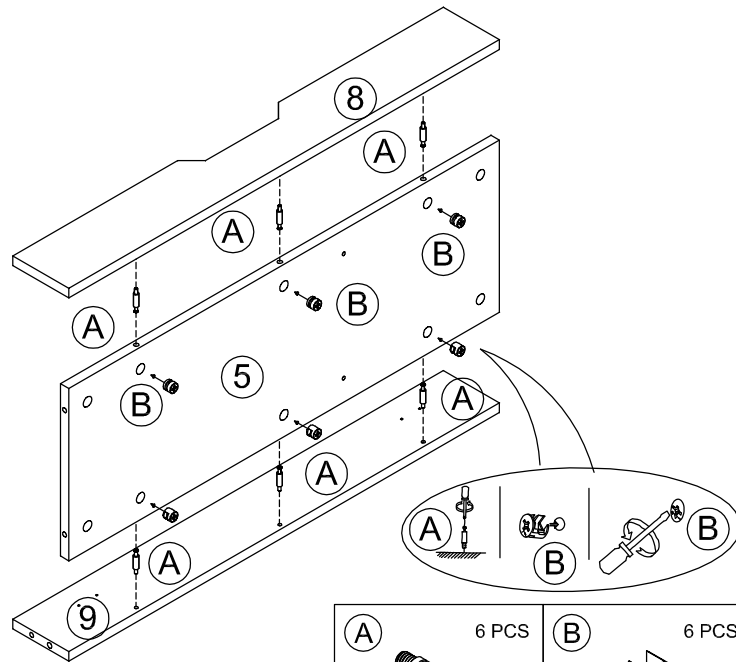
NO.	QTY.	LINEDRAWING	DESCRIPTION
(A)	20		
(B)	20		
(C)	4	 Ø8*40	
(D)	6	 Ø7*50	
(E)	12	 Ø3.5*14	
(F)	2		
(G)	6		
(H)	22		

PARTS LIST

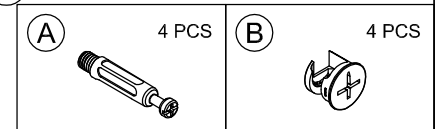
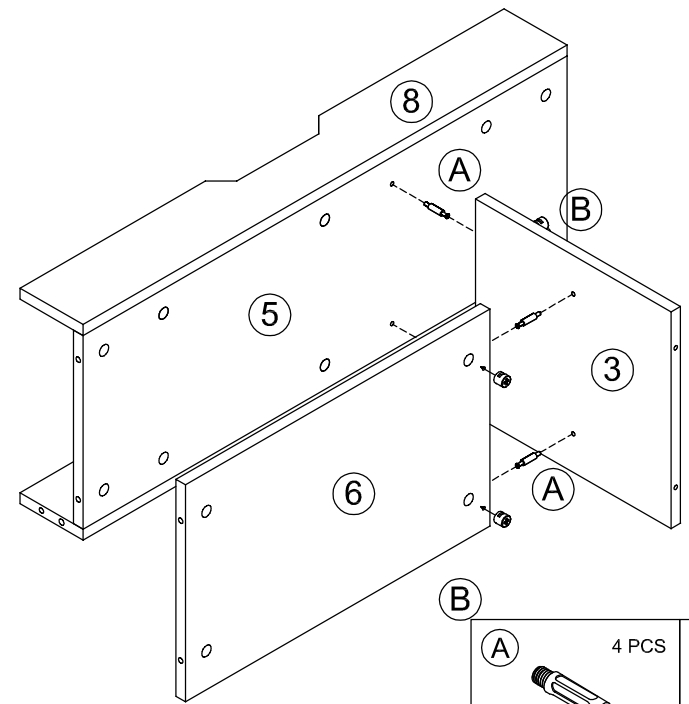


NO.	QTY.	LINEDRAWING	DESCRIPTION
①	1		
②	1		
③	1		
④	1		
⑤	1		
⑥	1		
⑦	1		
⑧	1		
⑨	1		
⑩	1		

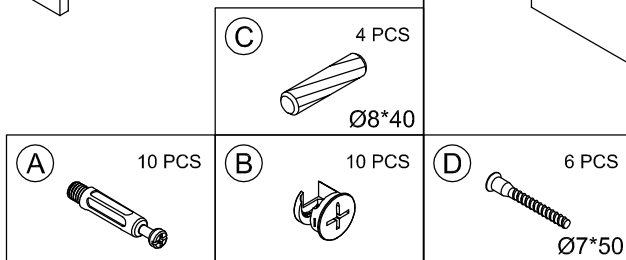
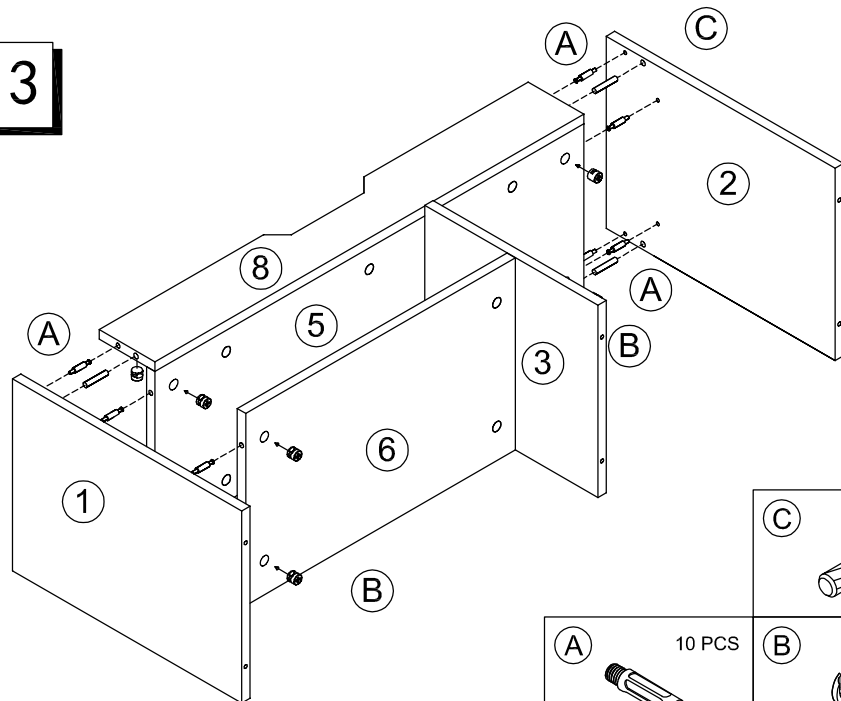
1



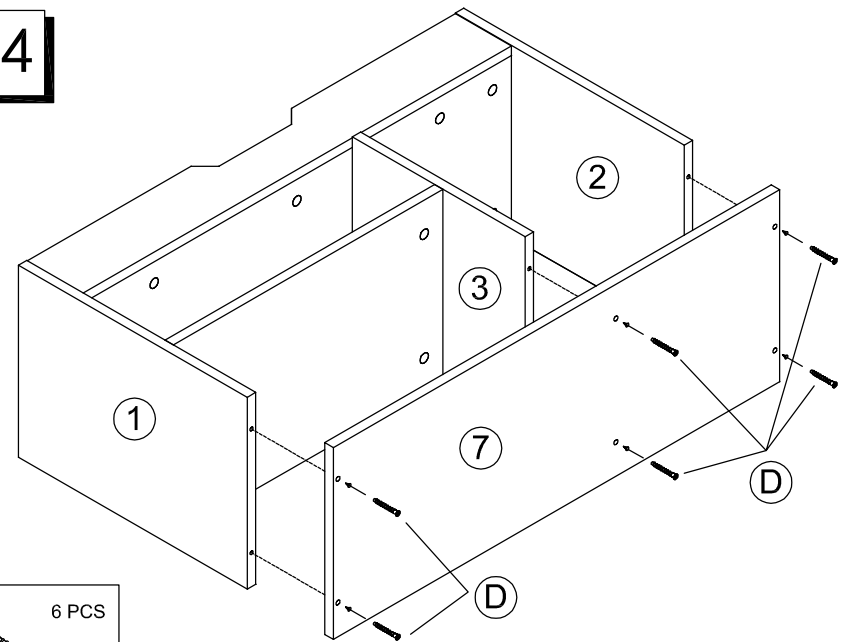
2



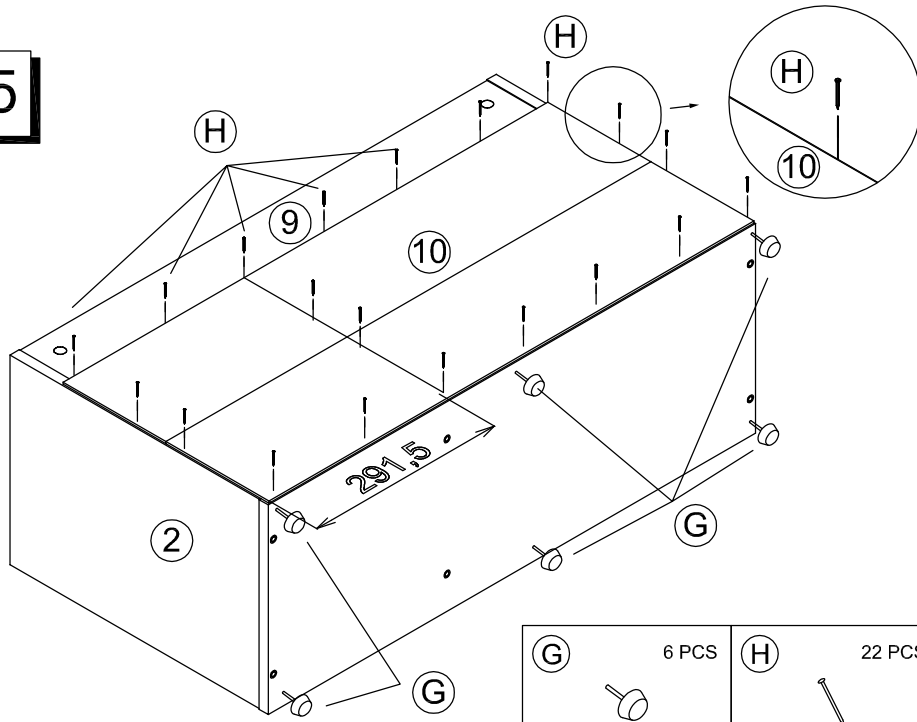
3



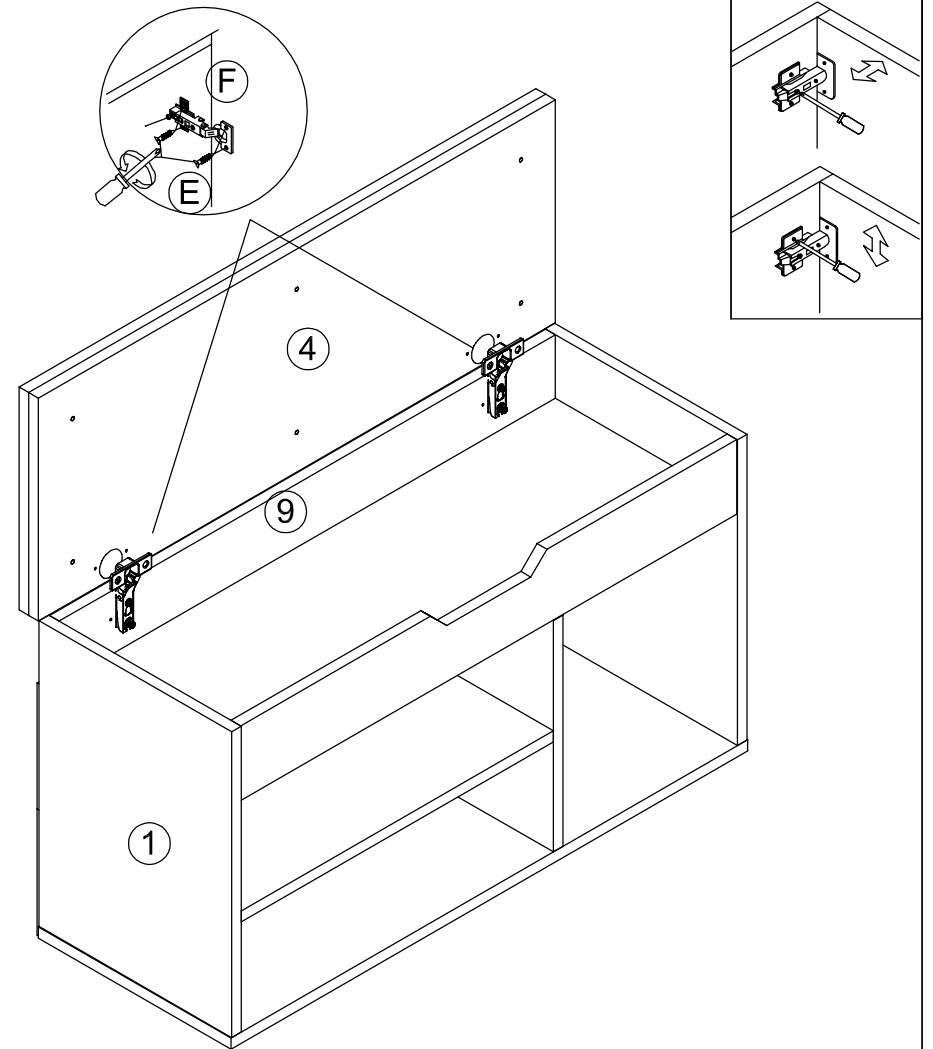
4



5



6



7

