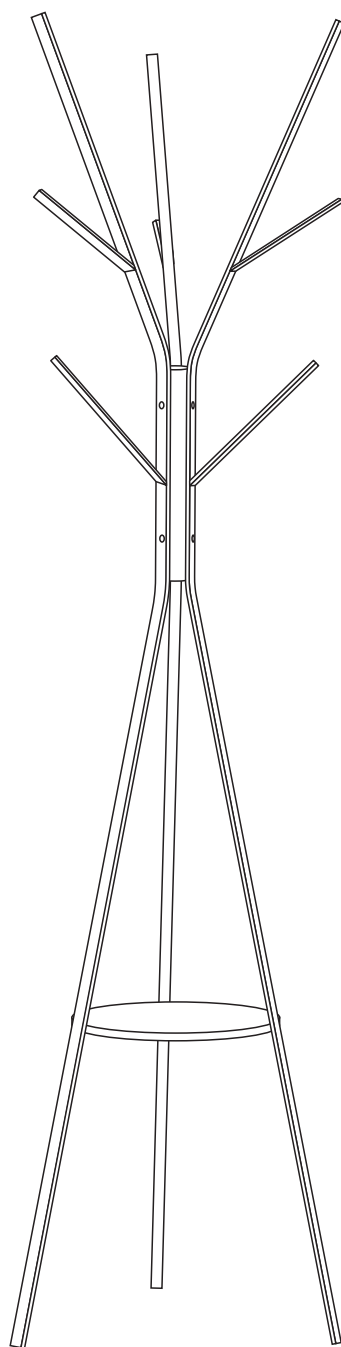




INcta042V01\_GL

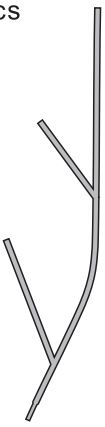

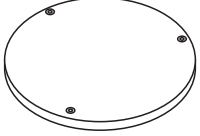

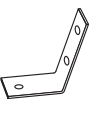

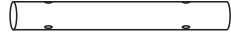



**831-174**



IMPORTANT, RETAIN FOR FUTURE REFERENCE: READ CAREFULLY

# ASSEMBLY INSTRUCTION

# Accessories List

3pcs 	<b>A</b>	3pcs 	<b>B</b>	1pcs 	<b>C</b>	12pcs 	<b>J</b>	3pcs 	<b>E</b>	6pcs 	<b>G</b> M6*20
				1pcs 	<b>D</b>			3pcs 	<b>F</b>	9pcs 	<b>H</b> M6*10
										1pcs 	<b>I</b>

