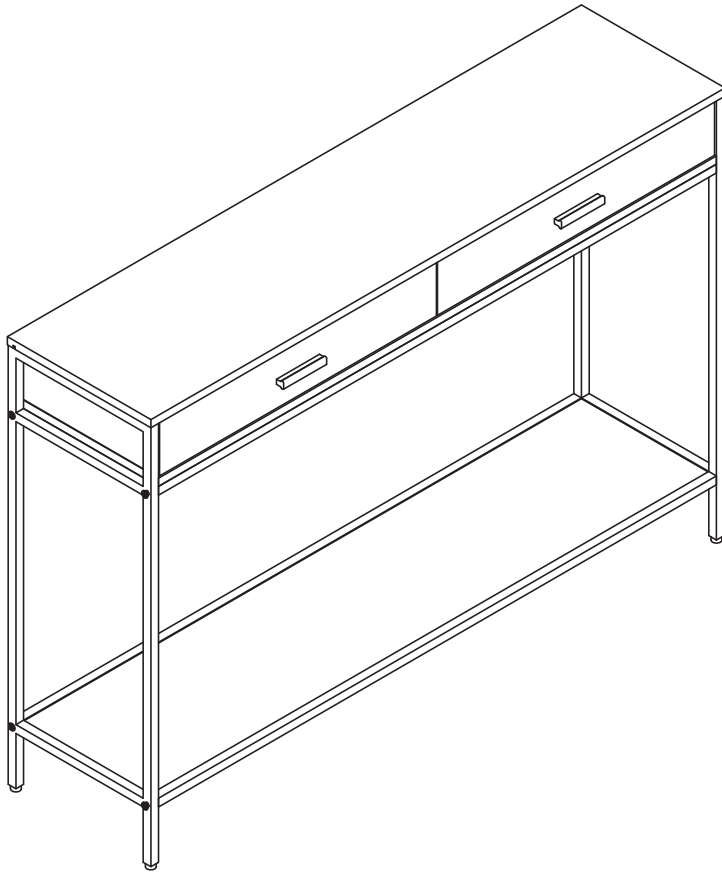
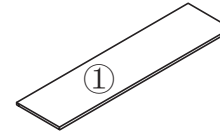


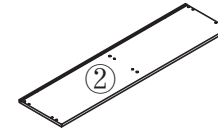
837-026



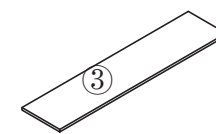
Board Identification



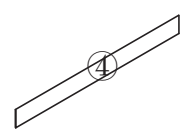
Board x1



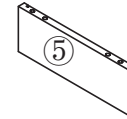
Bottom board x1



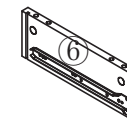
Large layer board x1



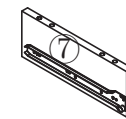
Back board x1



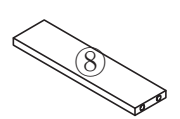
Left side board x1



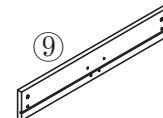
Right side board x1



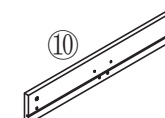
vertical board x1



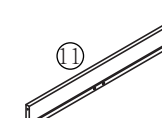
Reinforcement board x2



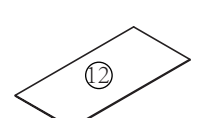
Left Drawer panel x1



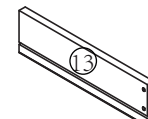
Right Drawer panel x1



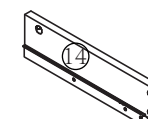
Back Drawer x2



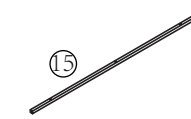
Bottom Drawer x2



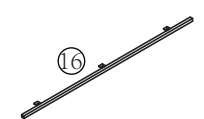
Drawer side panel left x2



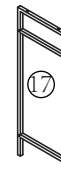
Drawer side panel right x2



Pipe x2



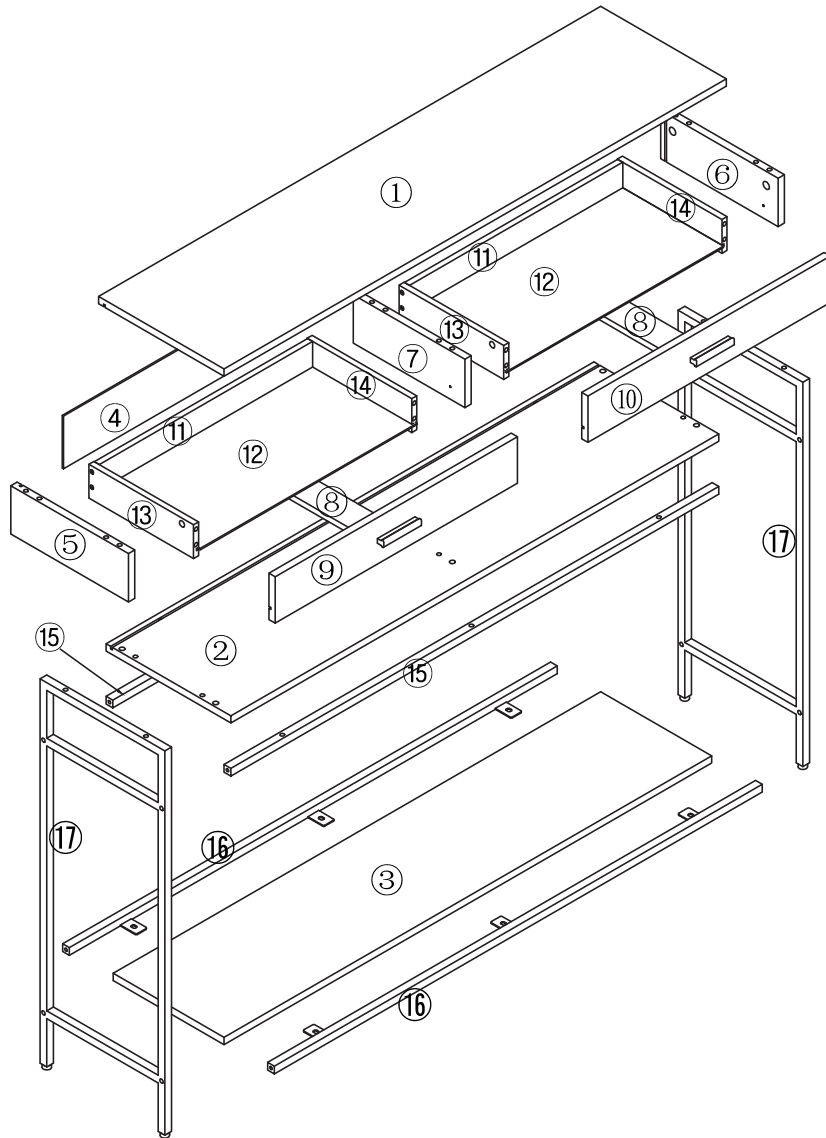
Pipe x2



Legex2

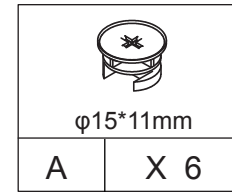
Board Identification

Not actual size

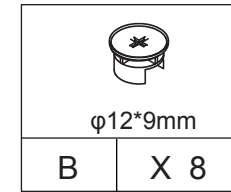


Hardware List

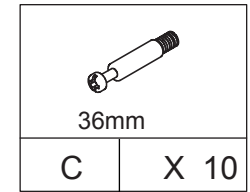
Actual size



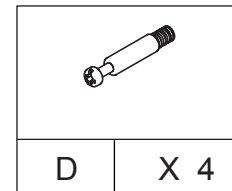
CAM LOCK



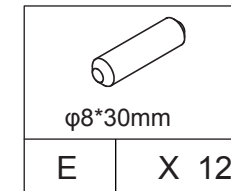
CAM LOCK



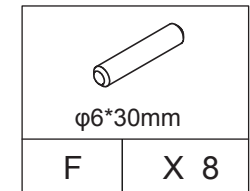
CAM BOLT



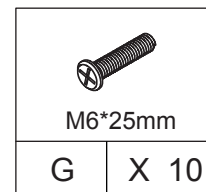
CAM BOLT



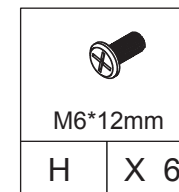
WOOD DOWEL



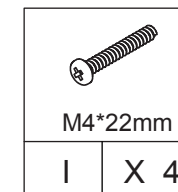
WOOD DOWEL



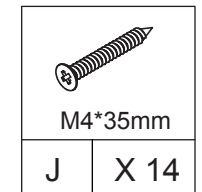
SCREW



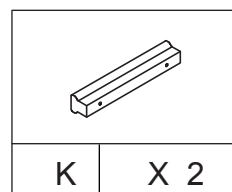
SCREW



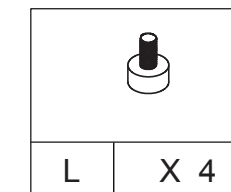
SCREW



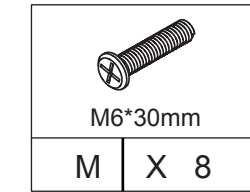
SCREW



HANDLE



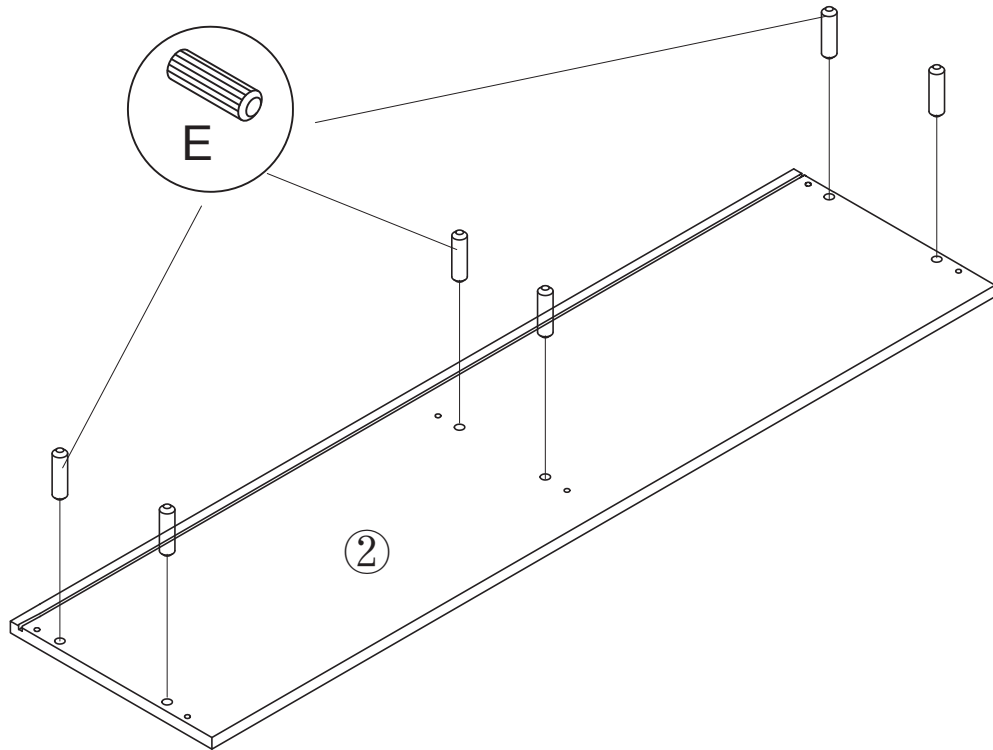
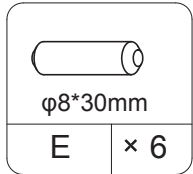
ADJUSTING FOOT



SCREW

PRODUCT ASSEMBLY

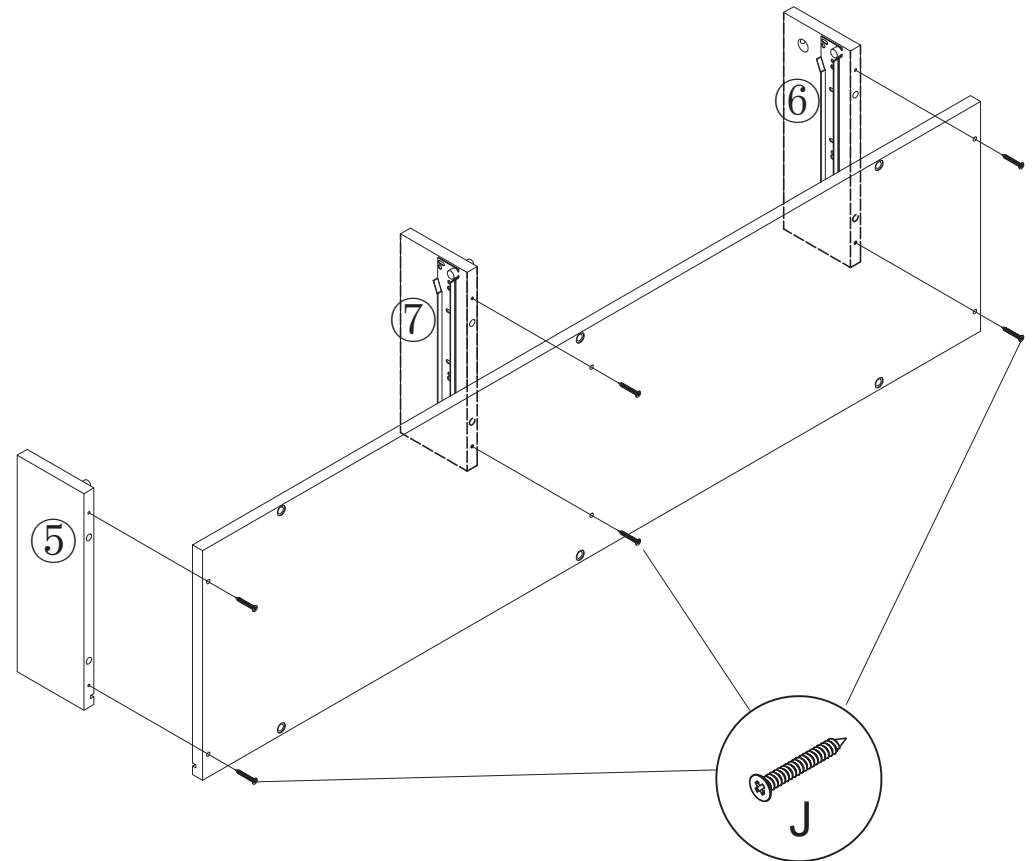
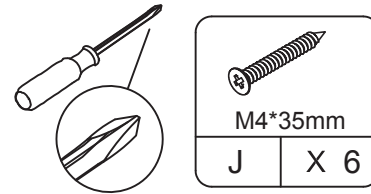
STEP 1



5

PRODUCT ASSEMBLY

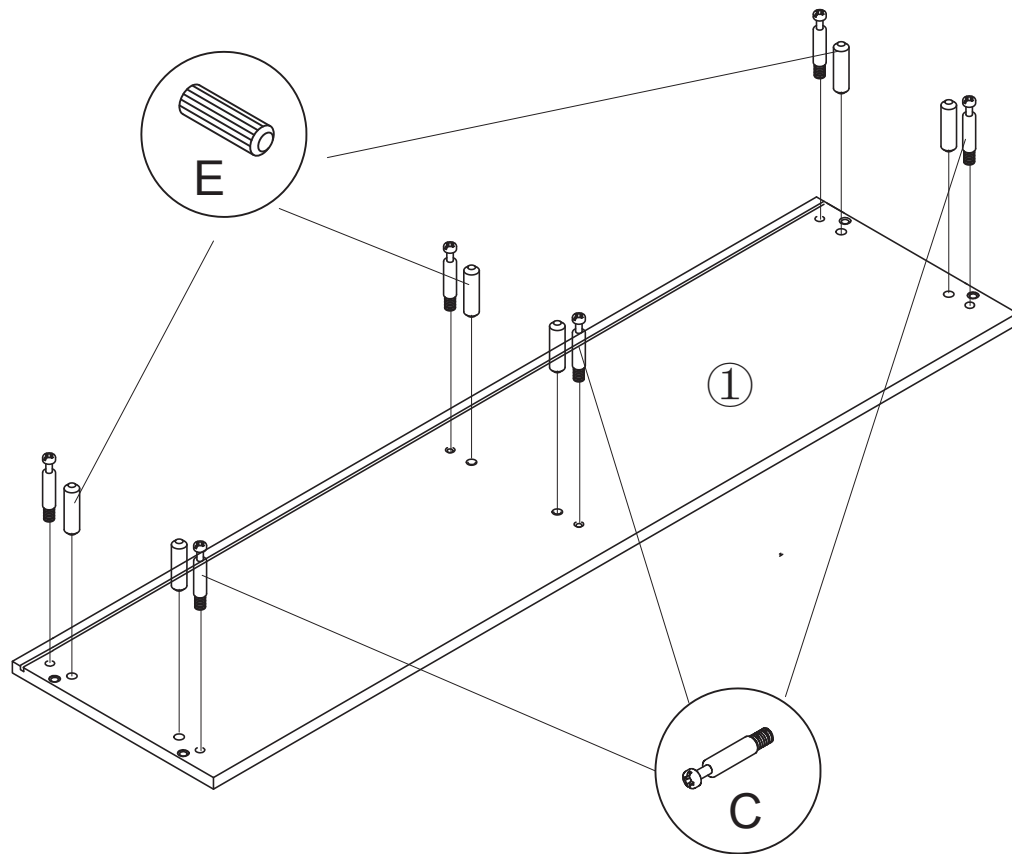
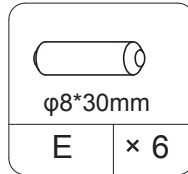
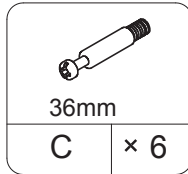
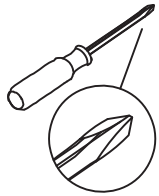
STEP 2



6

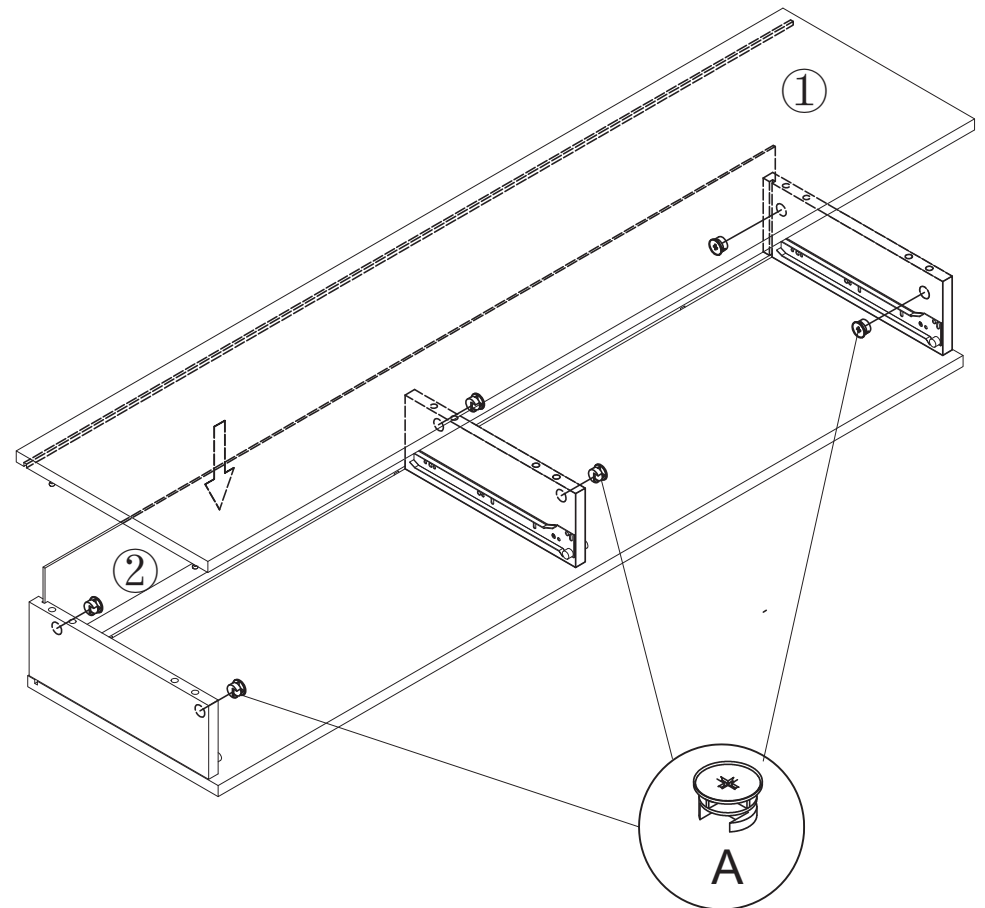
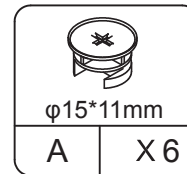
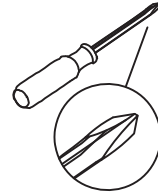
PRODUCT ASSEMBLY

STEP 3

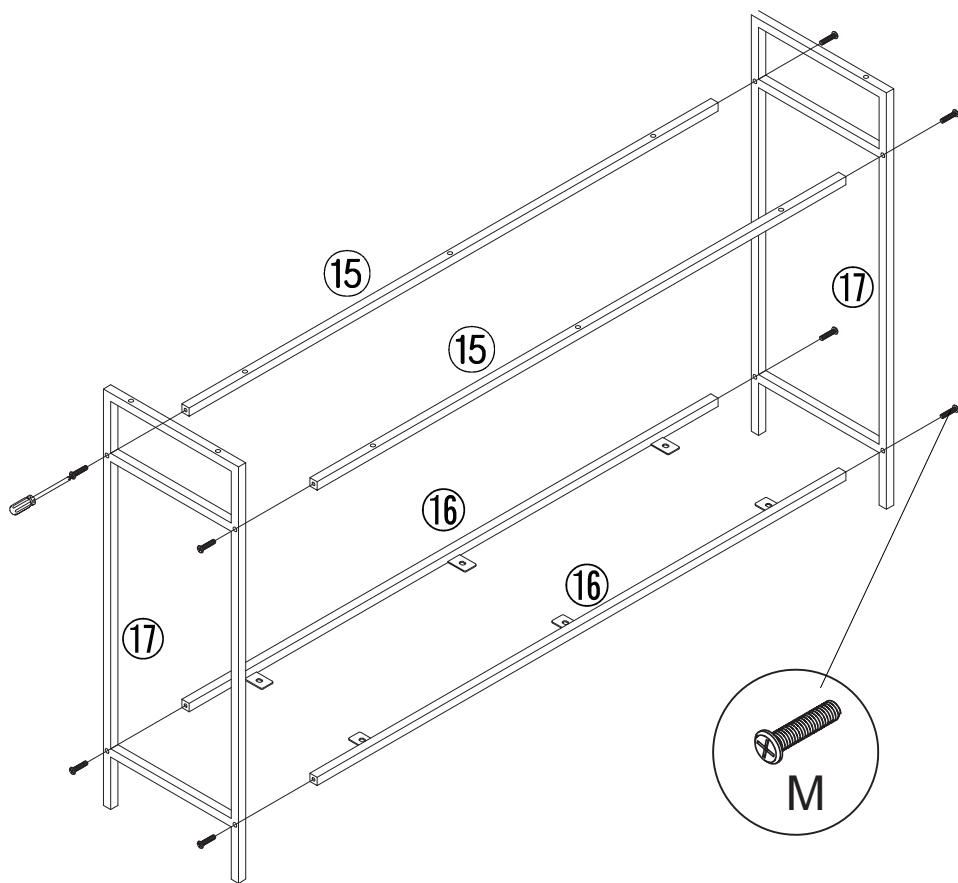
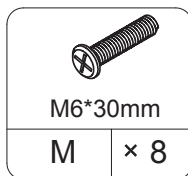
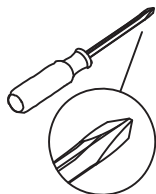


PRODUCT ASSEMBLY

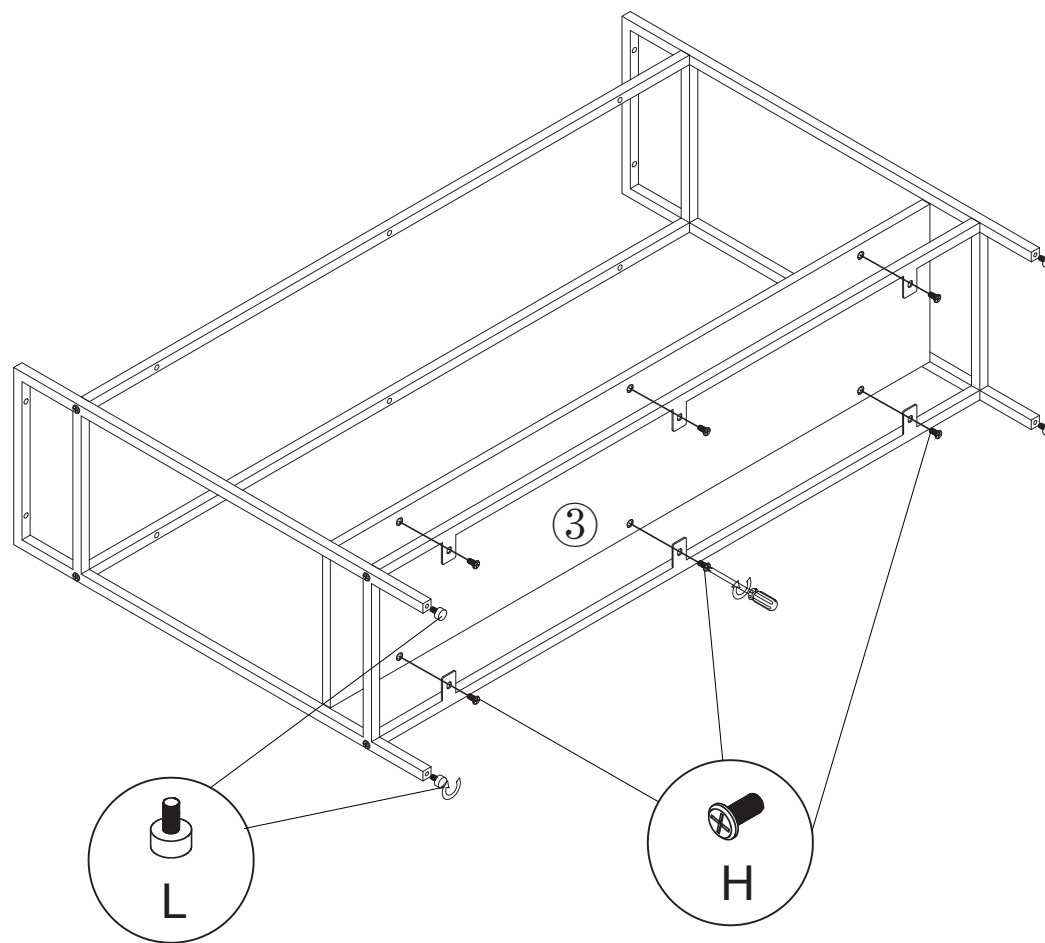
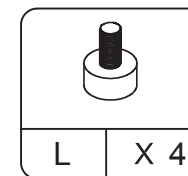
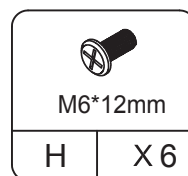
STEP 4



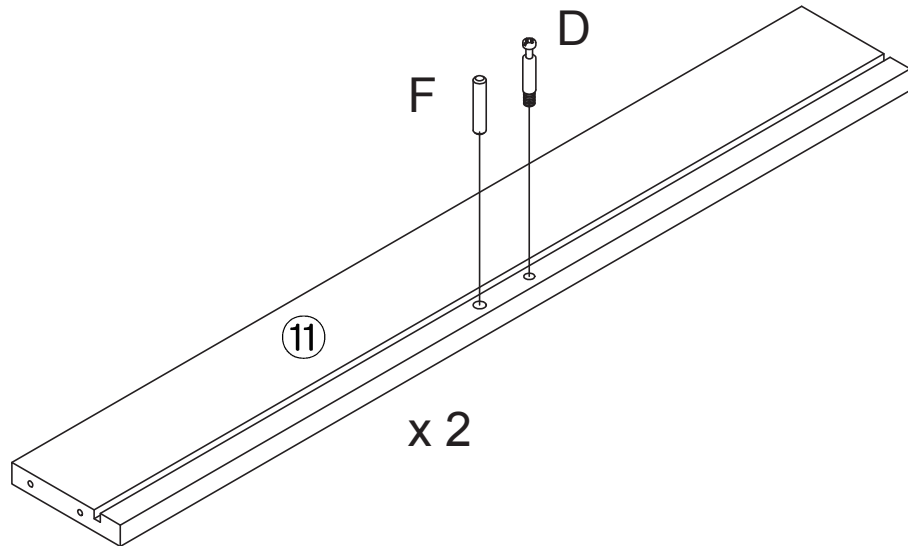
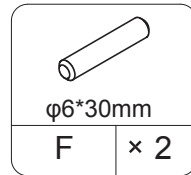
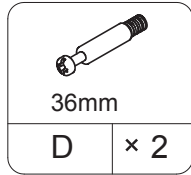
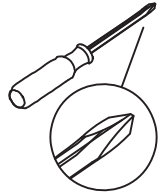
STEP 5



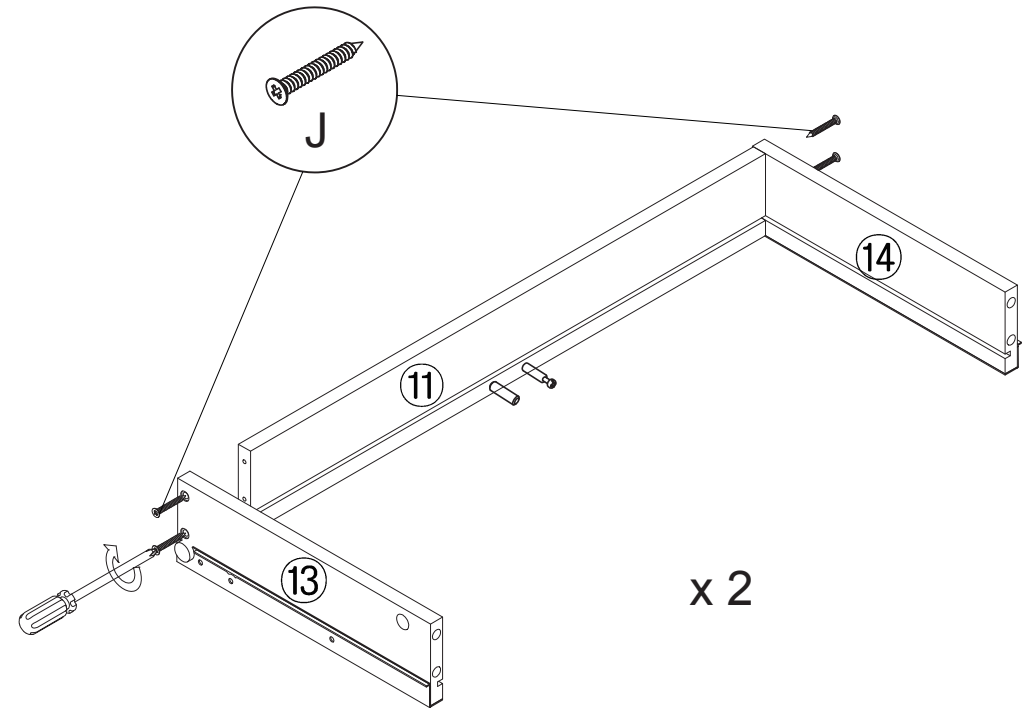
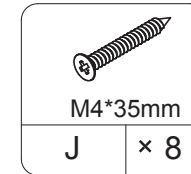
STEP 6



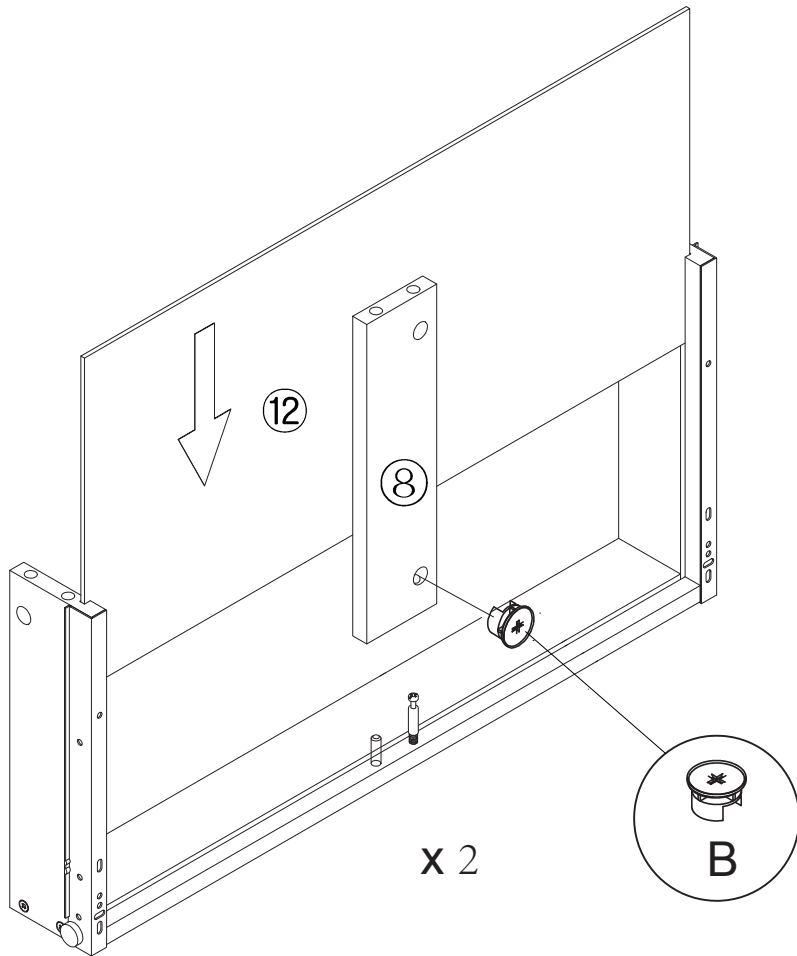
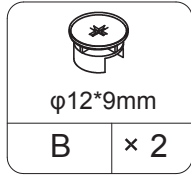
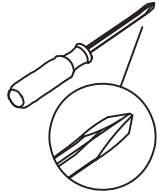
STEP 7



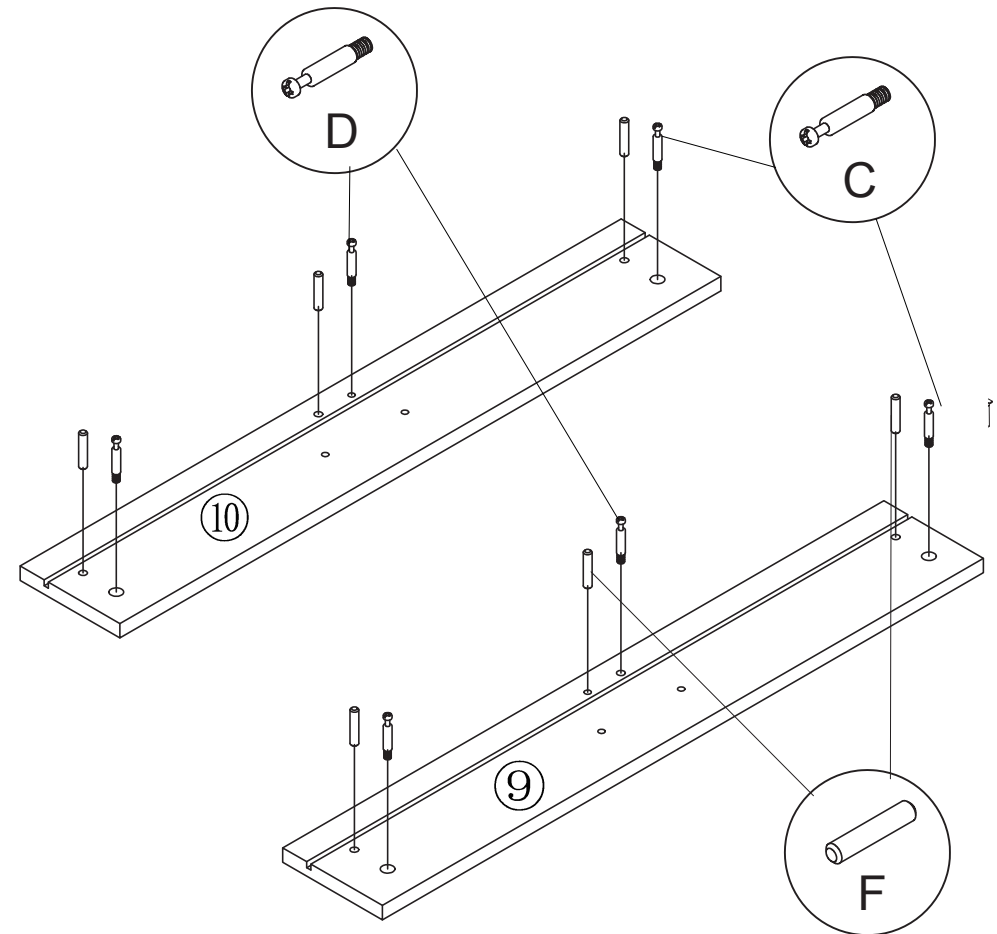
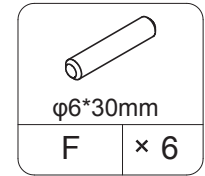
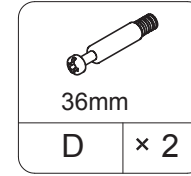
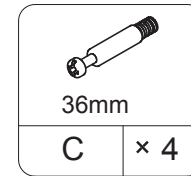
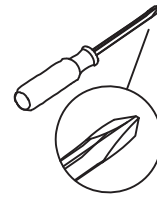
STEP 8



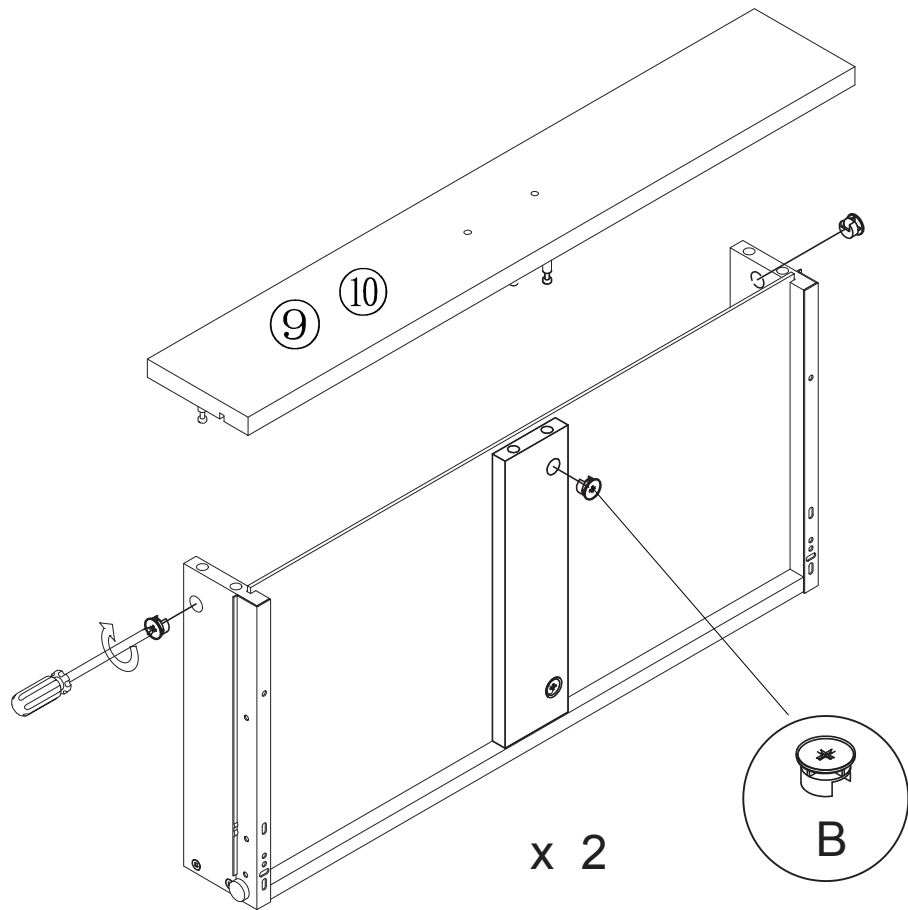
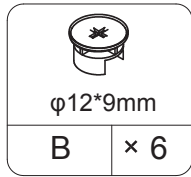
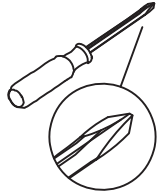
STEP 9



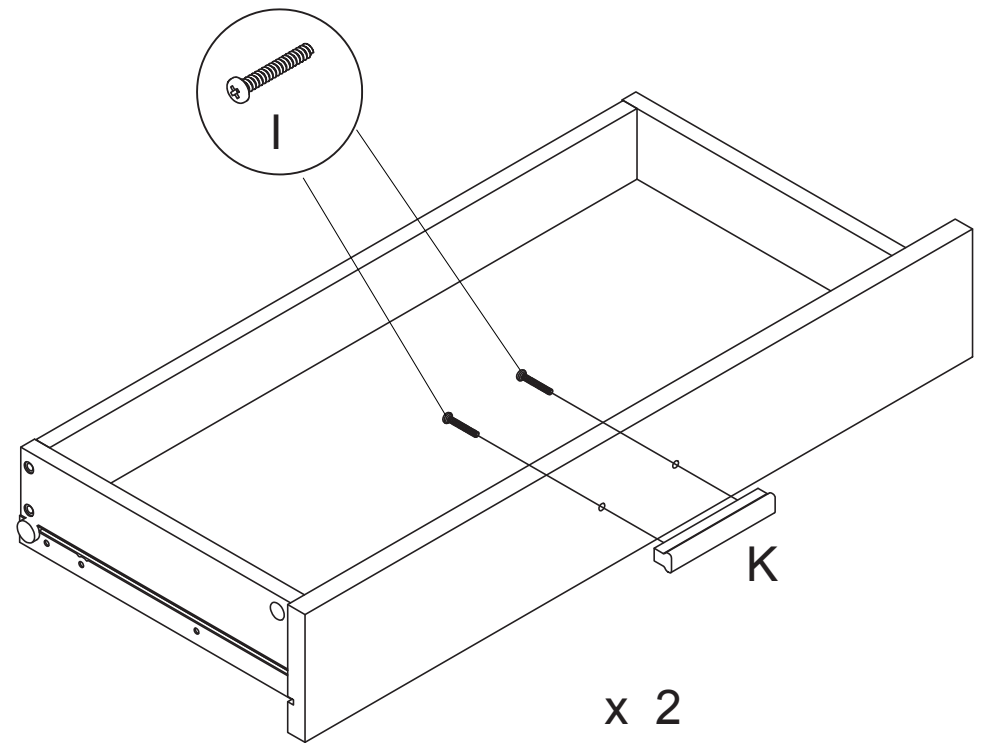
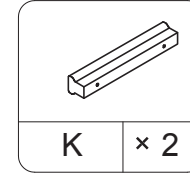
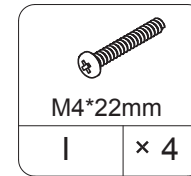
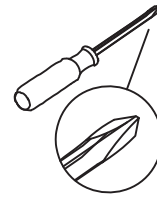
STEP 10



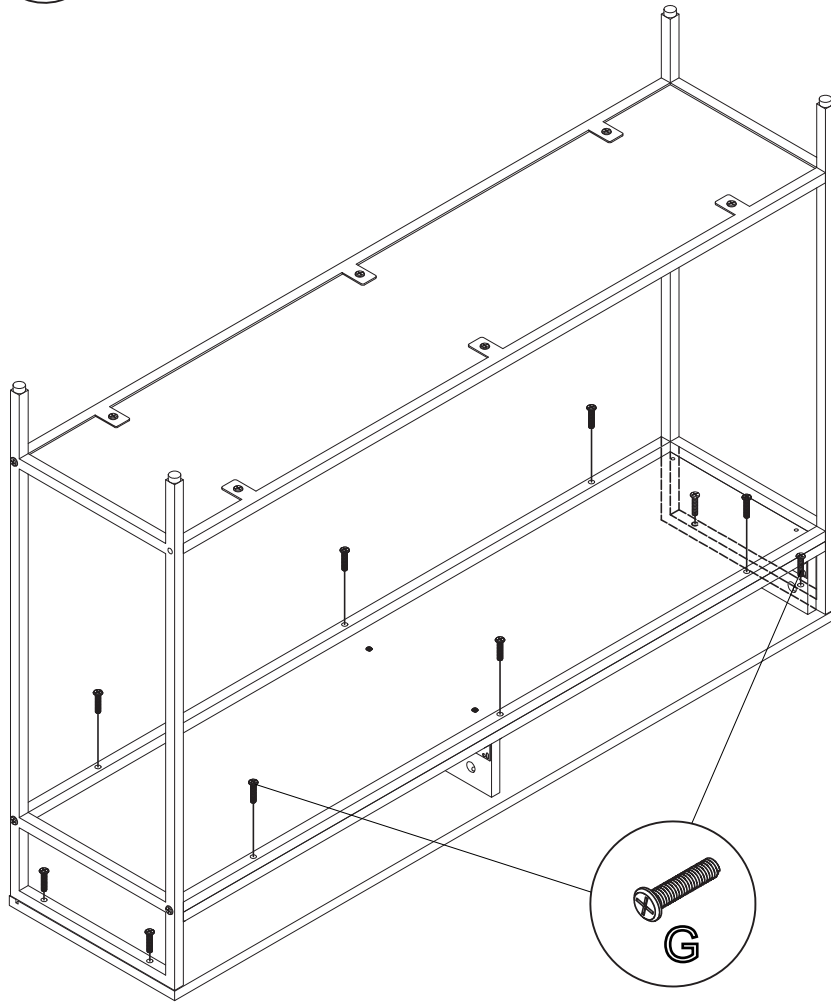
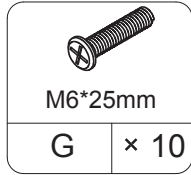
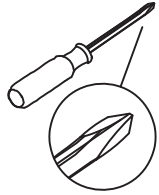
STEP 11



STEP 12



STEP 13



STEP 14



US



001-877-644-9366
customerservice@aosom.com

CA



001-855-537-6088
customerservice@aosom.ca

UK



0044-800-240-4004
enquiries@mhstar.co.uk

DE



0049-(0)40-88307530
service@aosom.de

FR



0033-1-84166106
contact@aosom.fr

ES



0034-931294512
atencioncliente@aosom.es

IT



0039-0249471447
clienti@aosom.it